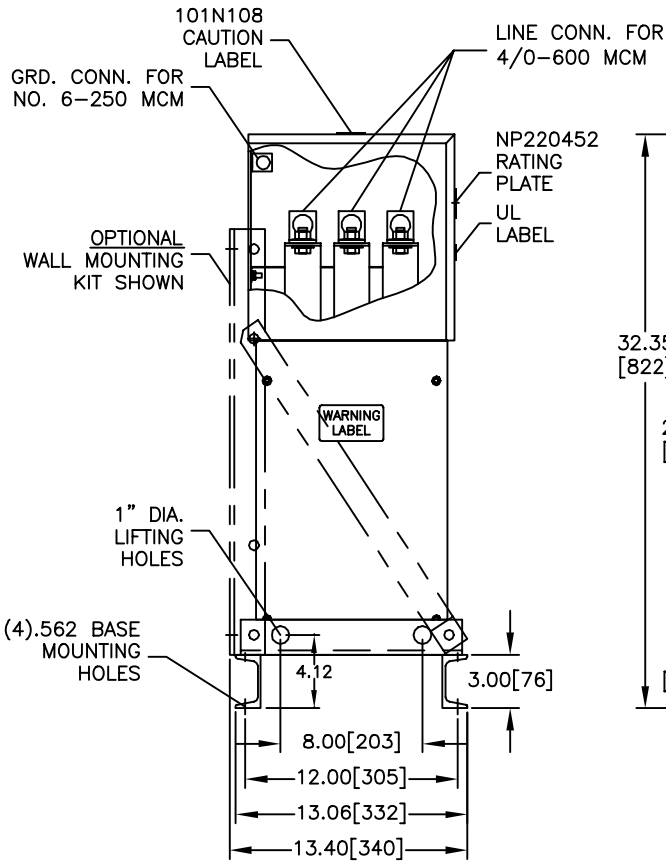
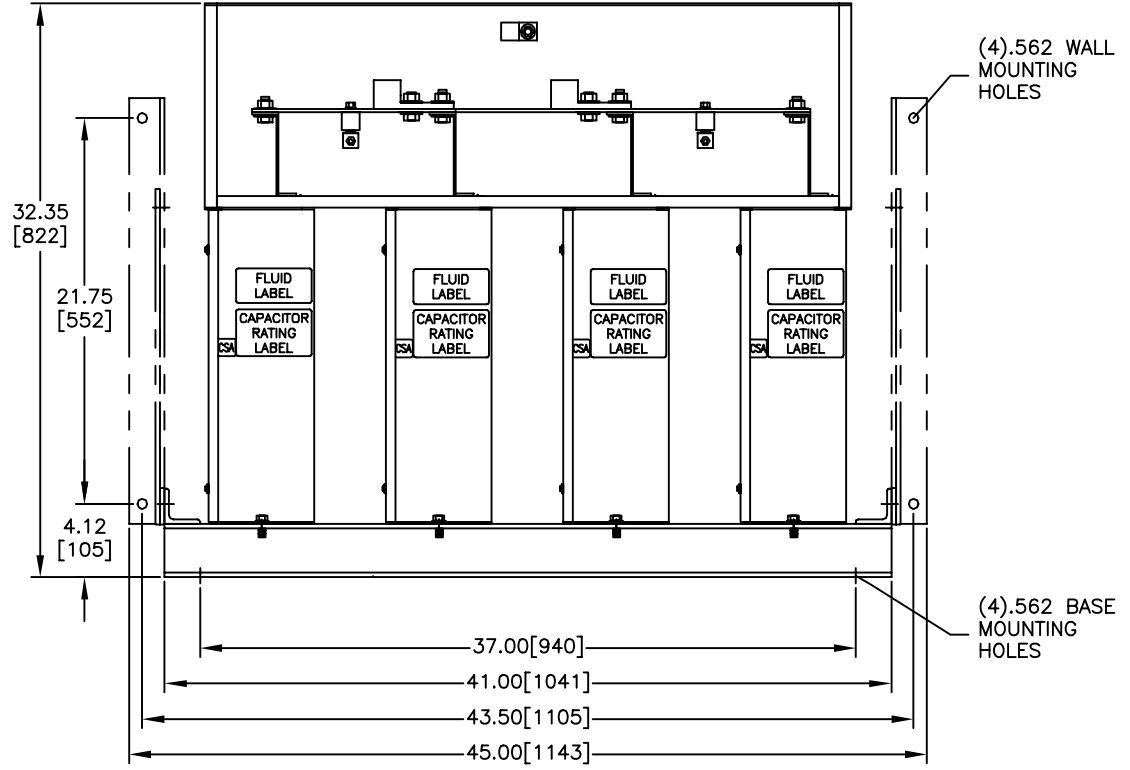


SIZE A	DWG NO 65L924TL3	SHT 2	REV
REV	DESCRIPTION	DATE	APPROVED



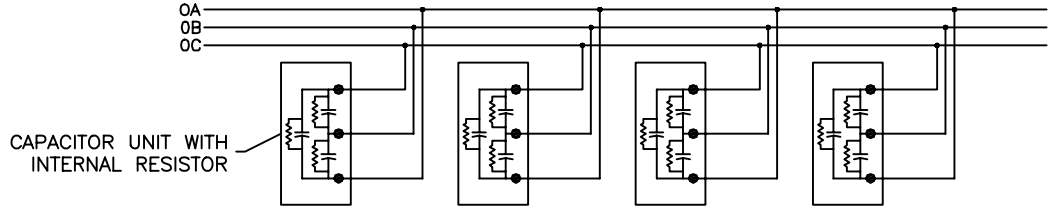
FRONT VIEW  
SHOWN WITH TOP/FRONT COVER REMOVED



## CAPACITOR

CAT. 65L924TL3      SER.NO.  
kVAR 190      60 Hz      3 Ph  
VOLT. 240      CONN. DELTA  
DIAG. 186C3233GM

**CAUTION** BEFORE INSTALLING OR OPERATING READ INST. 2738  
CAPACITOR UNITS CONTAIN CLASS III B COMBUSTIBLE LIQUID.  
CAPACITOR UNITS INCLUDE INTERNAL DISCHARGE RESISTORS.  
NP220452      FORT EDWARD, N.Y.      MADE IN U.S.A.



CONNECTION DIAGRAM

	<b>INDUSTRIAL SYSTEMS</b> FORT EDWARD, N.Y., U.S.A.		SIZE <b>A</b>	EST. WEIGHT: 198	<h1>OUTLINE</h1> <h2>65L924TL3</h2>
	DRAWN A.COZZENS	DATE 7/14/2003	SCALE	GALLONS LIQUID: 1.7	
ISSUED	DATE 7/16/2003			SHEET 2	CONT ON —

DISTR. TO