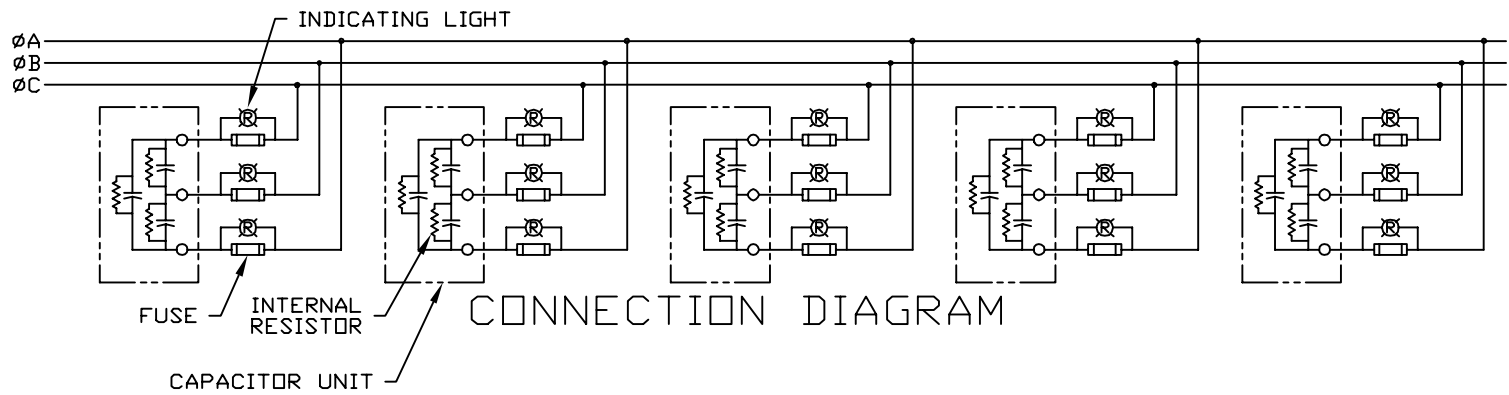
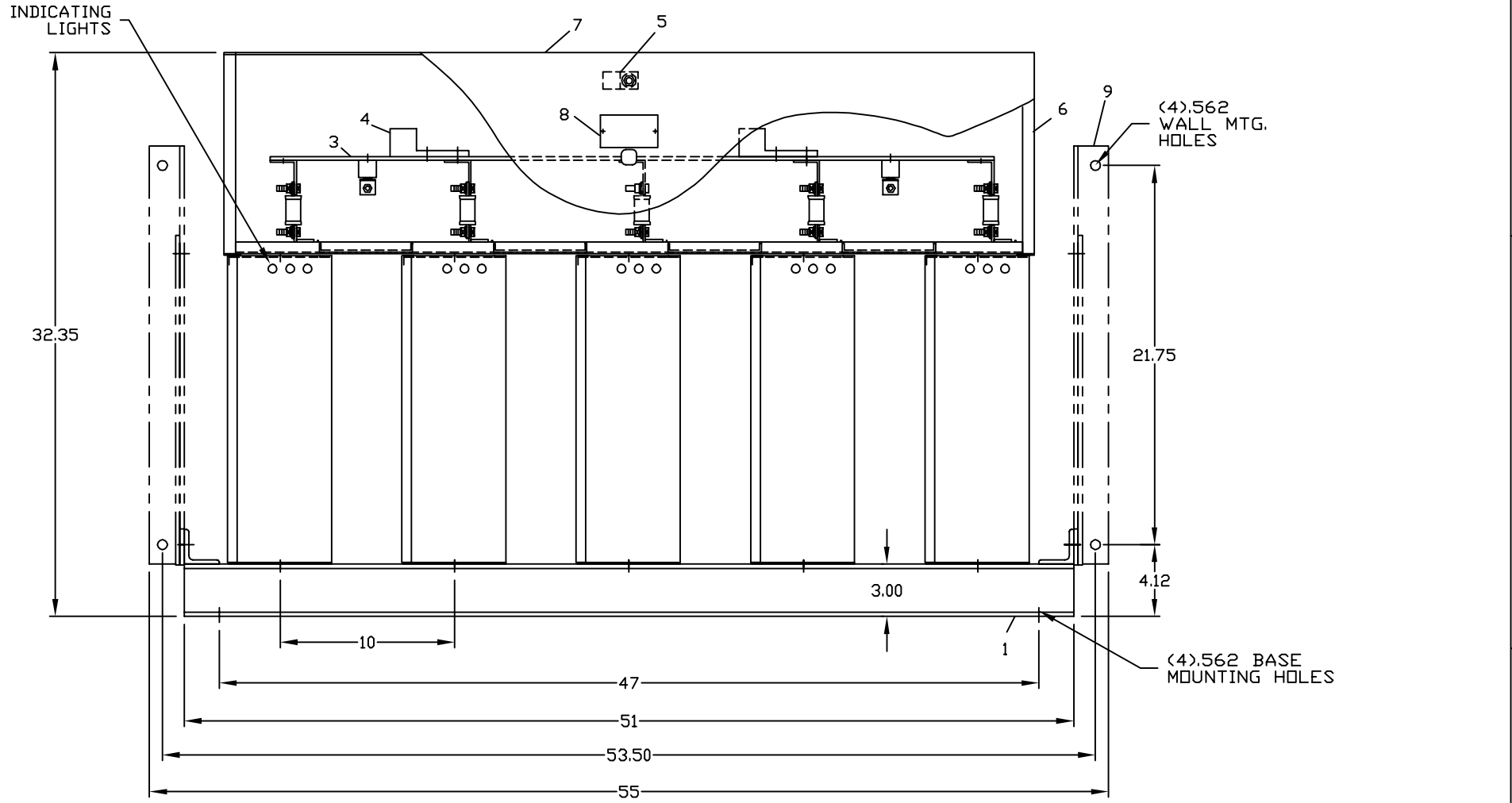
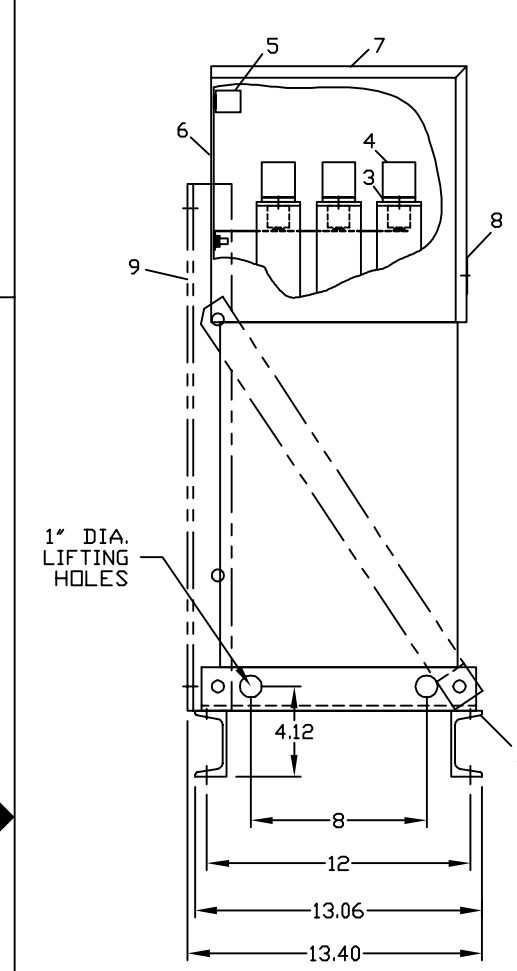


REVISIONS			
REV	DESCRIPTION	DATE	APPROVED
1	UPDATE TO AUTOCAD		FWL



- NOMENCLATURE**
1. ALUMINUM BASE FRAME
 2. CAPACITOR UNIT
 3. COPPER BUS BARS
 4. LINE TERMINAL - #4/0 TO 600 MCM
 5. GROUND TERMINAL - #6AWG TO 250 MCM
 6. BUS ENCLOSURE
 7. ACCESS COVER
 8. RATING NAMEPLATE
 9. OPTIONAL FIELD ASSEMBLED WALL MTG. FRAME

SIGNATURES		DATE	INDUSTRIAL SYSTEMS FORT EDWARD, N.Y., U.S.A.		
DRAWN E.McGINN		10/1/92			
CHECKED					
ENGR					
ISSUED		9/30/93			
FIRST MADE FOR:			OUTLINE 65L924TQ2		
CAD SYS. NO.	SIZE C	FSCM NO.		DWG NO. 65L924TQ2	REV 1
AUTOCAD	SCALE	SHEET 1		CONT ON SHT -	DISTR TO 413

CAT 65L924TQ2 SERNO
 KVAR 190 60Hz 3ph
 VOLT 240 DIAG 186C3233HB
 CONN DELTA
 Read instructions: GEH-2728