

4

3

2

C

SIZE DWG NO.

SHT

REV

1

1

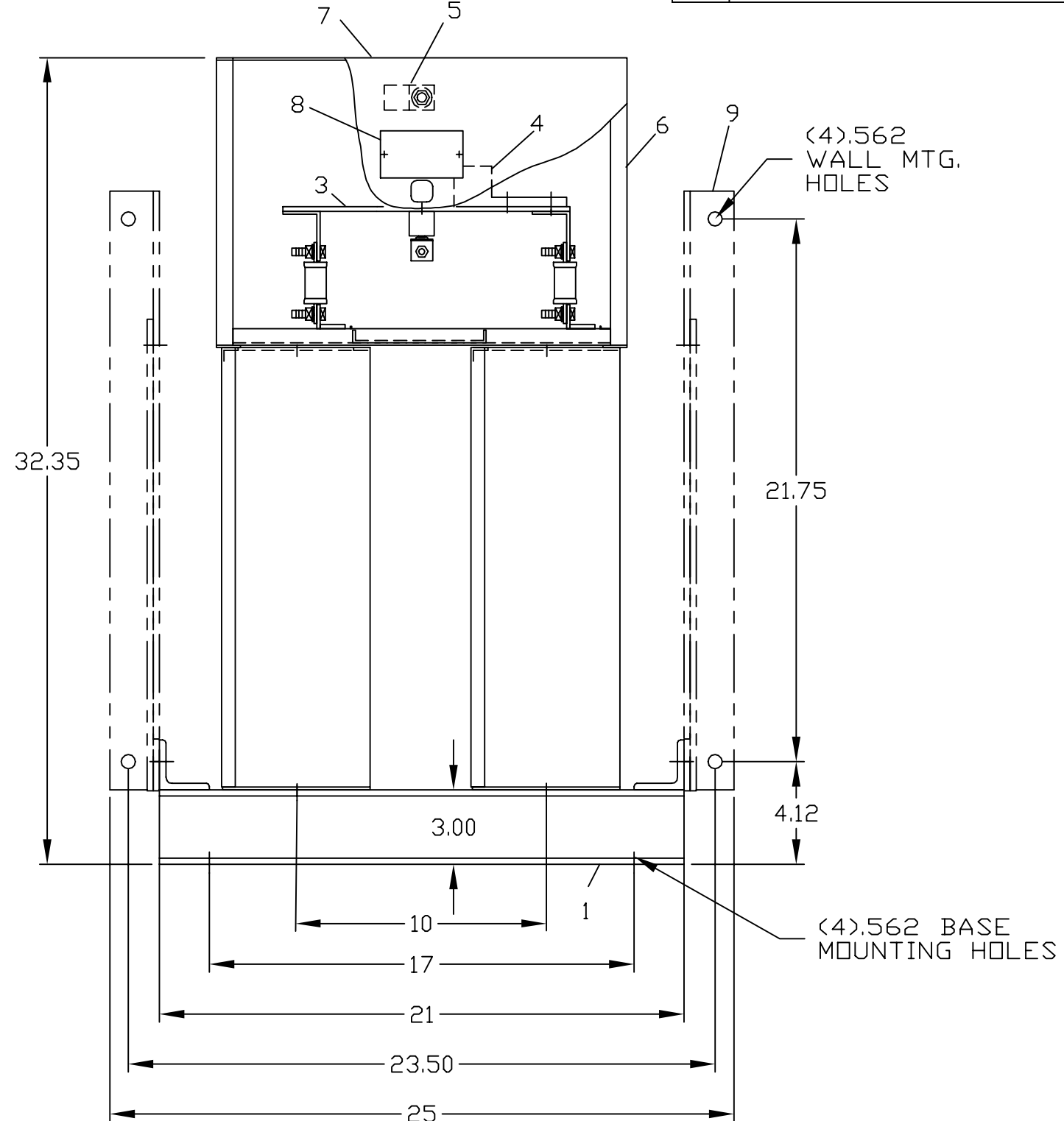
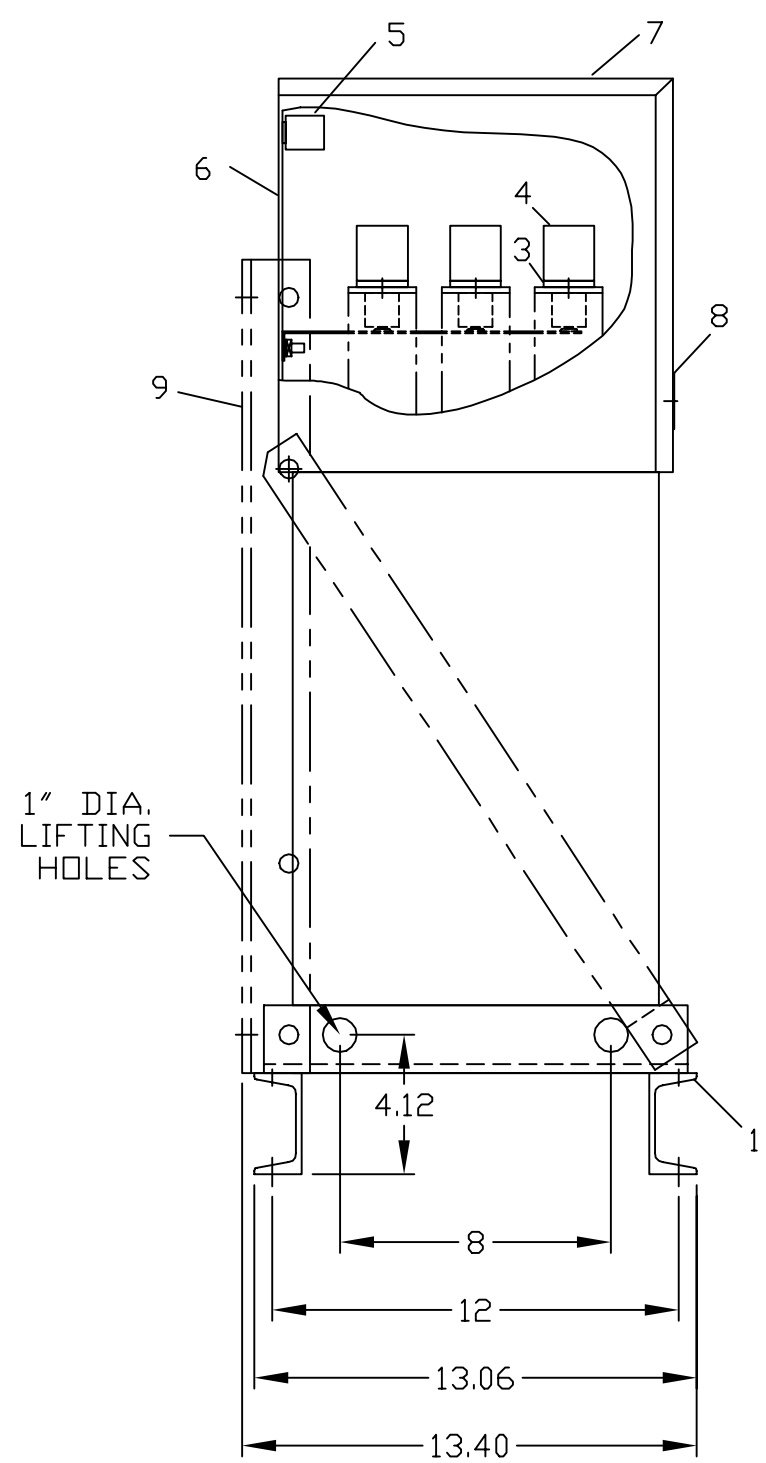
65L924TS2

1

1

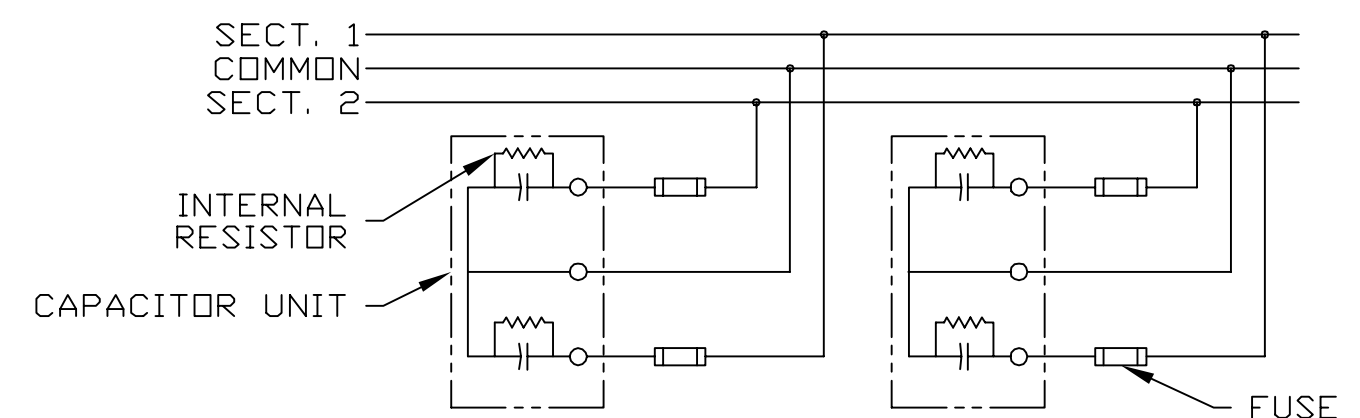
REVISIONS

| REV | DESCRIPTION       | DATE | APPROVED |
|-----|-------------------|------|----------|
| 1   | UPDATE TO AUTOCAD |      | KS       |



NOMENCLATURE

- 1. ALUMINUM BASE FRAME
- 2. CAPACITOR UNIT
- 3. COPPER BUS BARS
- 4. LINE TERMINAL - #4/0 TO 600 MCM
- 5. GROUND TERMINAL - #6AWG TO 250 MCM
- 6. BUS ENCLOSURE
- 7. ACCESS COVER
- 8. RATING NAMEPLATE
- 9. OPTIONAL FIELD ASSEMBLED WALL MTG. FRAME



CONNECTION DIAGRAM

CAT 65L924TS2 SERNO  
 KVAR 190 60Hz 1ph  
 VOLT 480 DIAG 186C3233EK  
 CONN COM CTR  
 Read instructions: GEH-2728

| SIGNATURES     | DATE    |
|----------------|---------|
| DRAWN E.McGINN | 9/24/92 |
| CHECKED        |         |
| ENGR           |         |
| ISSUED         | 9/30/93 |
| CAD SYS. NO.   |         |
| AUTOCAD        |         |



INDUSTRIAL SYSTEMS  
FORT EDWARD, N.Y., U.S.A.

OUTLINE  
65L924TS2

FIRST MADE FOR:

| SIZE  | FSCM NO. | DWG NO.   | REV         |
|-------|----------|-----------|-------------|
| C     |          | 65L924TS2 | 1           |
| SCALE |          | SHEET     | CONT ON SHT |

413

DISTR TO

4

3

2

1