

4

3

2

C

SIZE

DWG NO.

SHT

REV NO.

1

1

REVISIONS

REV

DESCRIPTION

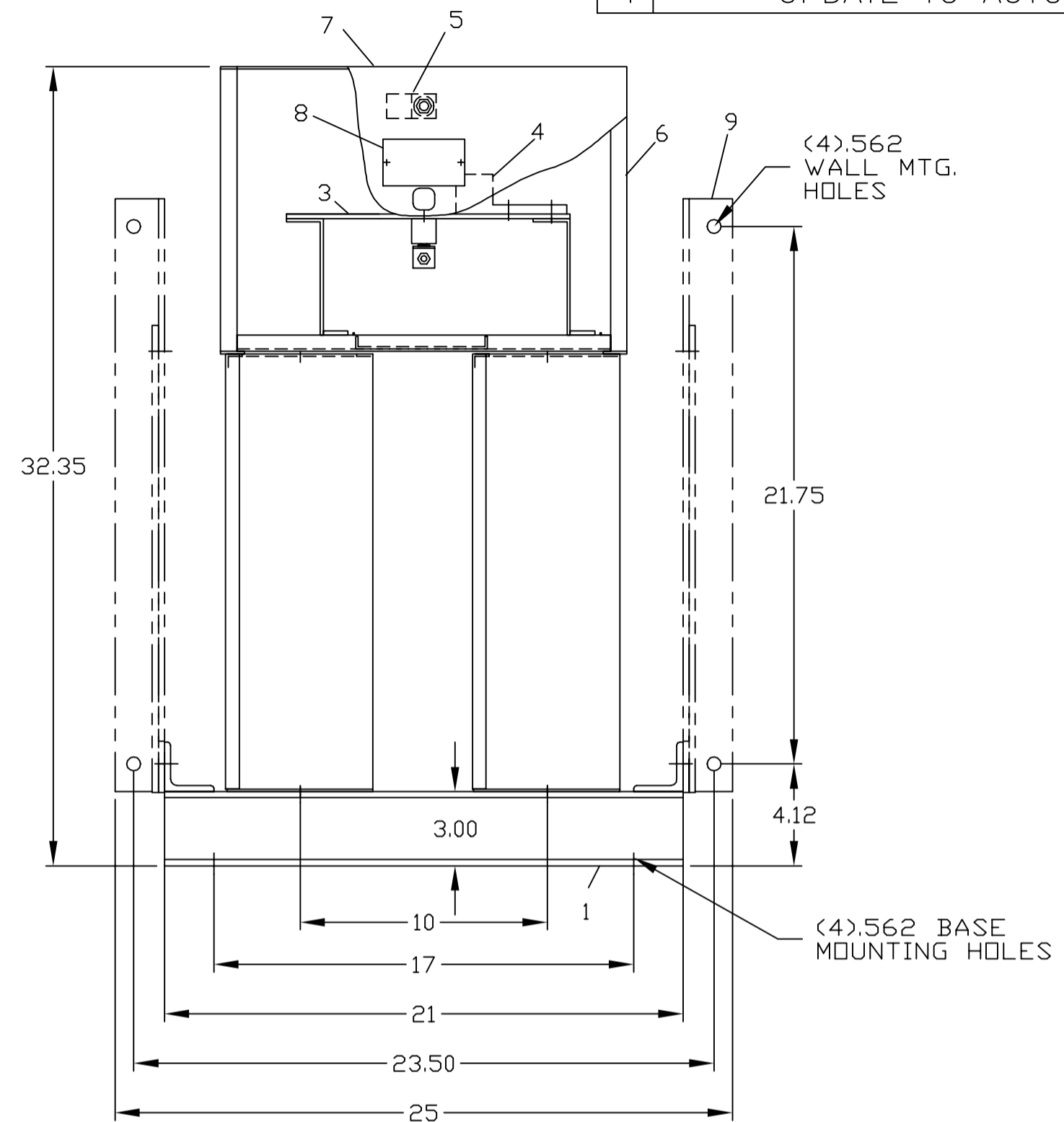
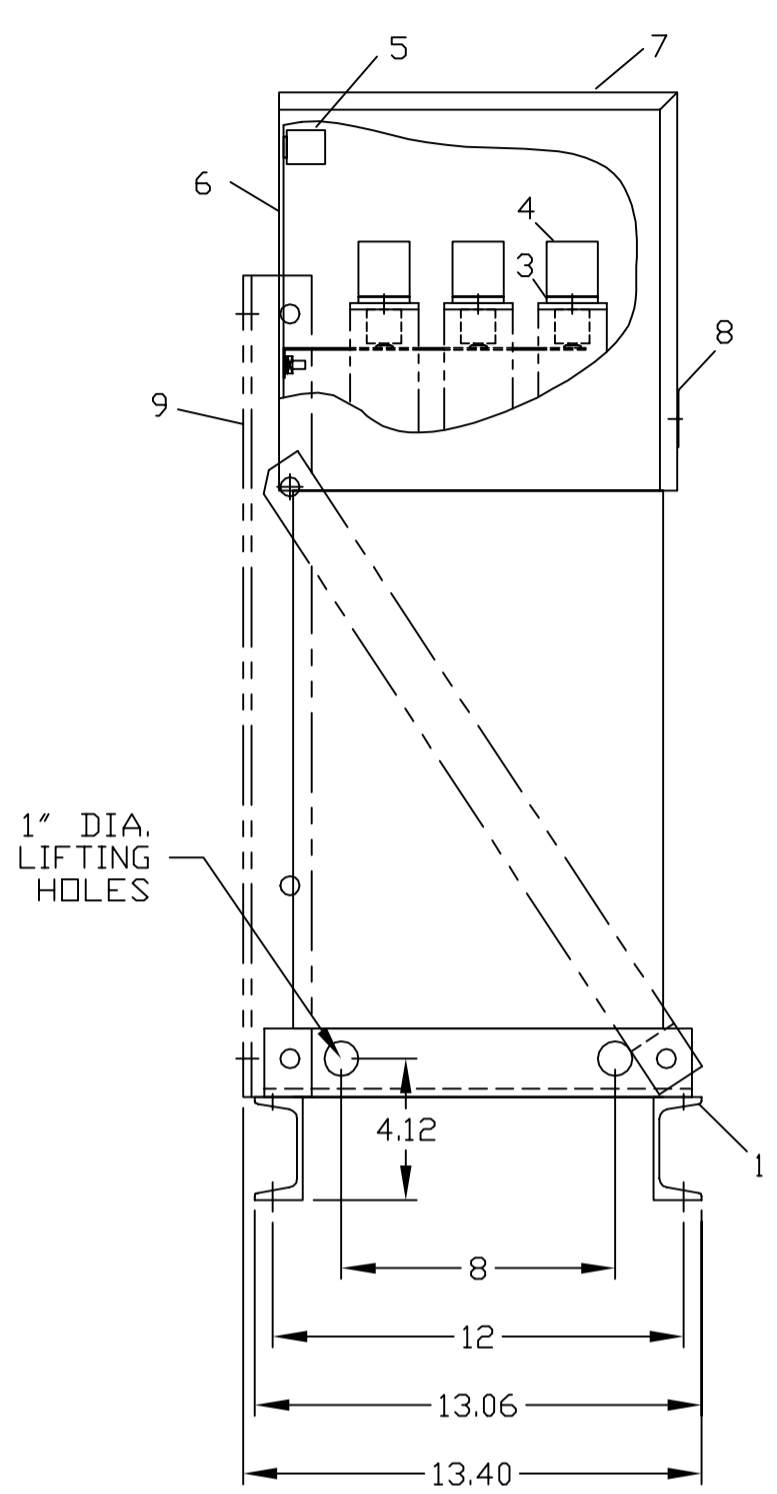
DATE

APPROVED

1

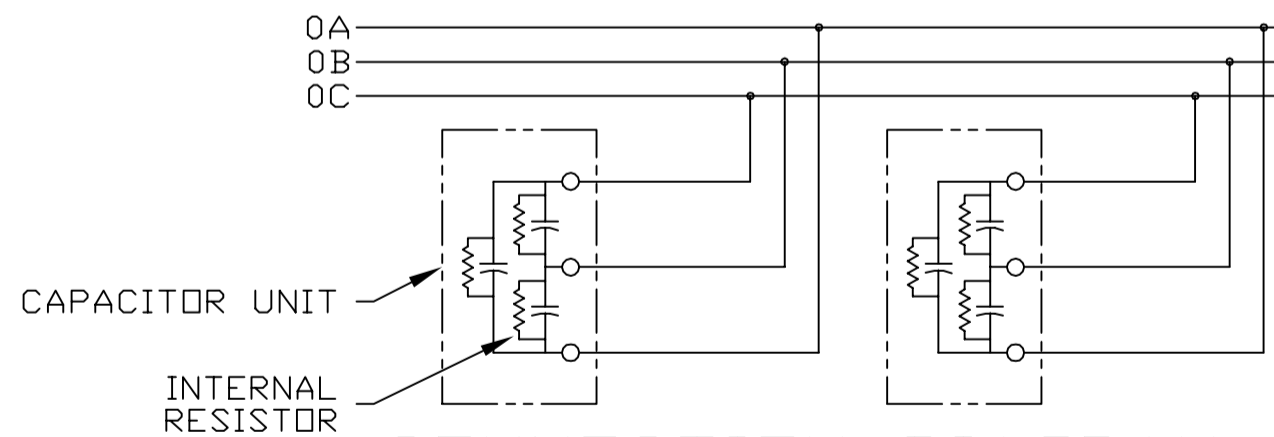
UPDATE TO AUTOCAD

KS



NOMENCLATURE

- 1. ALUMINUM BASE FRAME
- 2. CAPACITOR UNIT
- 3. COPPER BUS BARS
- 4. LINE TERMINAL - #4/0 TO 600 MCM
- 5. GROUND TERMINAL - #6AWG TO 250 MCM
- 6. BUS ENCLOSURE
- 7. ACCESS COVER
- 8. RATING NAMEPLATE
- 9. OPTIONAL FIELD ASSEMBLED WALL MTG. FRAME



CONNECTION DIAGRAM

| | | | |
|------|-----------|-------|------------|
| CAT | 65L925TA2 | SERNO | |
| KVAR | 200 | 60Hz | 3ph |
| VOLT | 480 | DIAG | 186C3233EM |
| | | CONN | DELTA |

Read instructions: GEH-2728

| | | |
|----------------|--|---------|
| SIGNATURES | | DATE |
| DRAWN E.McGINN | | 9/24/92 |
| CHECKED | | |
| ENGR | | |
| ISSUED | | 9/30/93 |
| CAD SYS. NO. | | |
| AUTOCAD | | |



INDUSTRIAL SYSTEMS
FORT EDWARD, N.Y., U.S.A.

OUTLINE
65L925TA2

FIRST MADE FOR:

| | | | |
|-------|----------|-------------|-----|
| SIZE | FSCM NO. | DWG NO. | REV |
| C | | 65L925TA2 | 1 |
| SCALE | SHEET | CONT ON SHT | |

413

DISTR TO

4

3

2

1