

4

3

2

C

SIZE DWG NO.

SHT

REV

1

1

REVISIONS

REV

DESCRIPTION

DATE

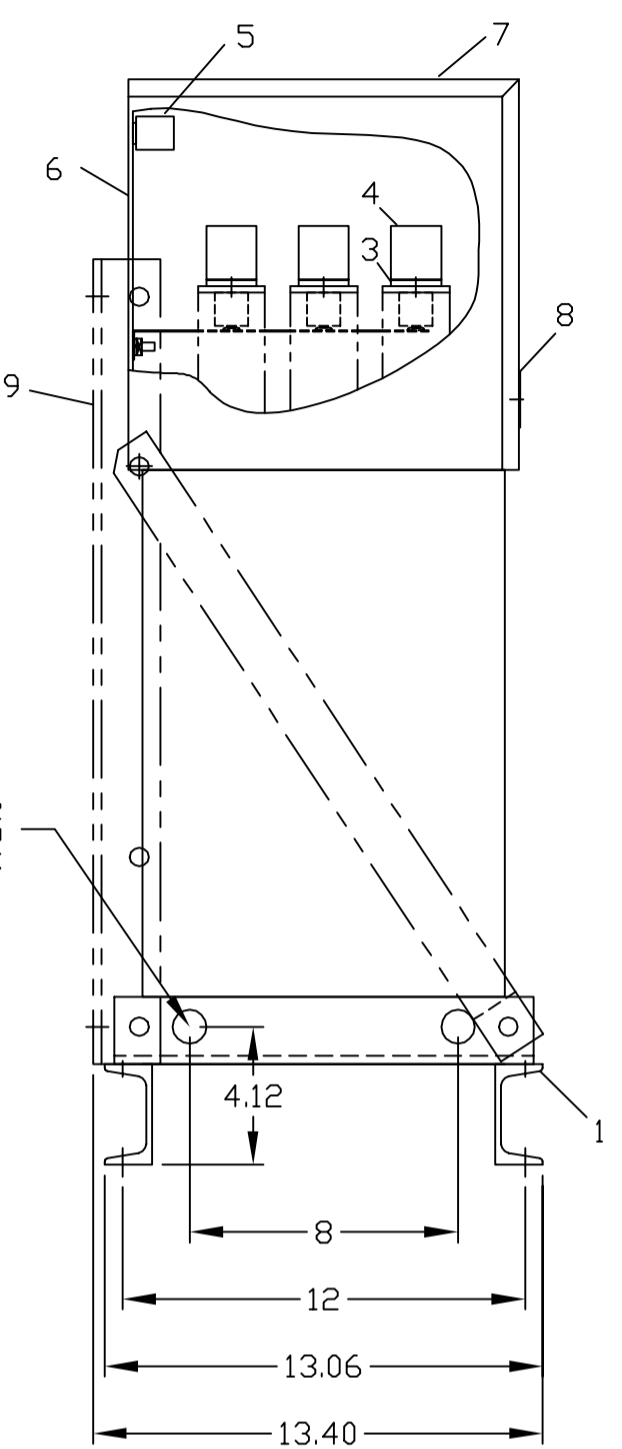
APPROVED

1

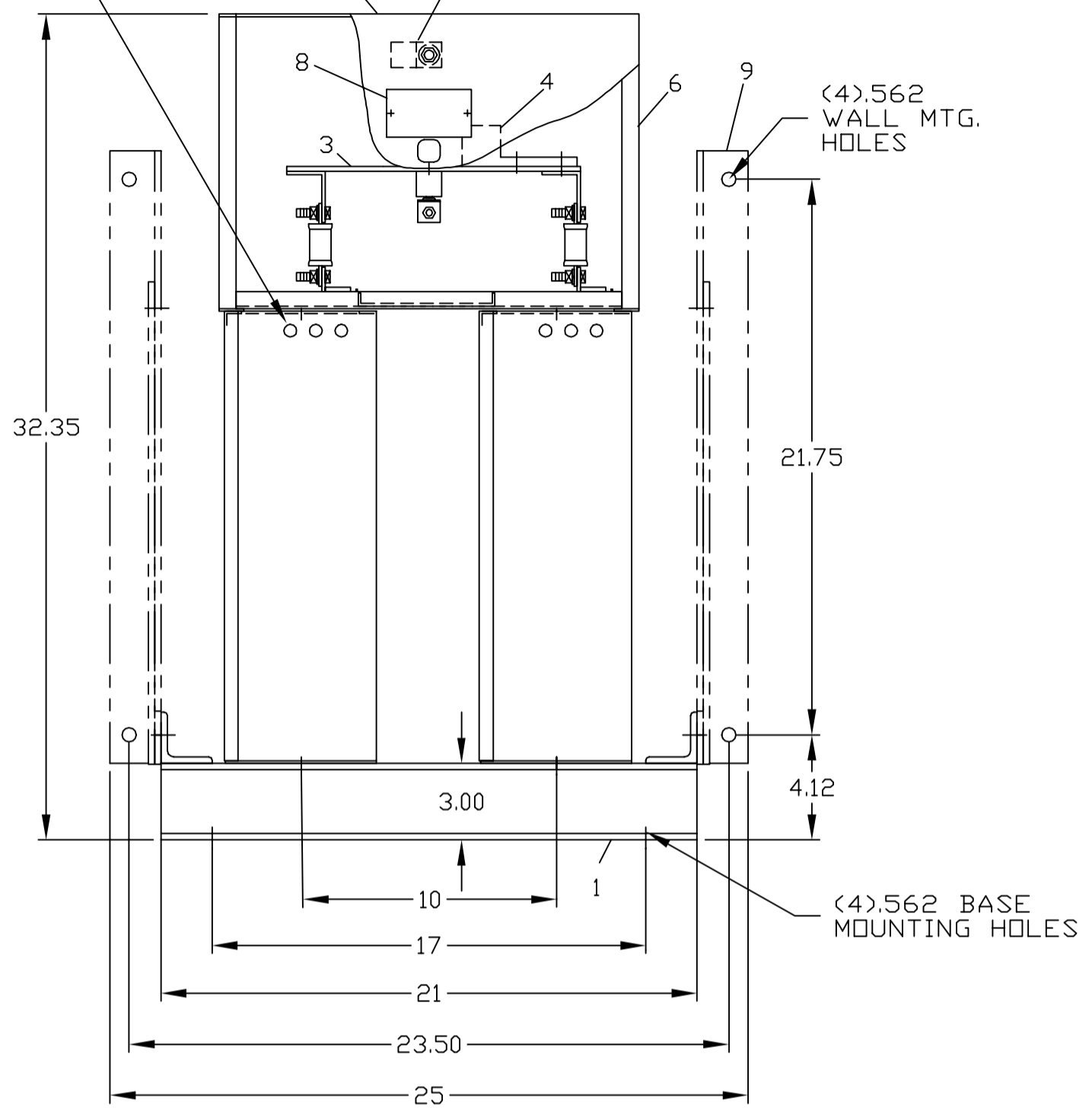
UPDATE TO AUTOCAD

KS

1" DIA. LIFTING HOLES

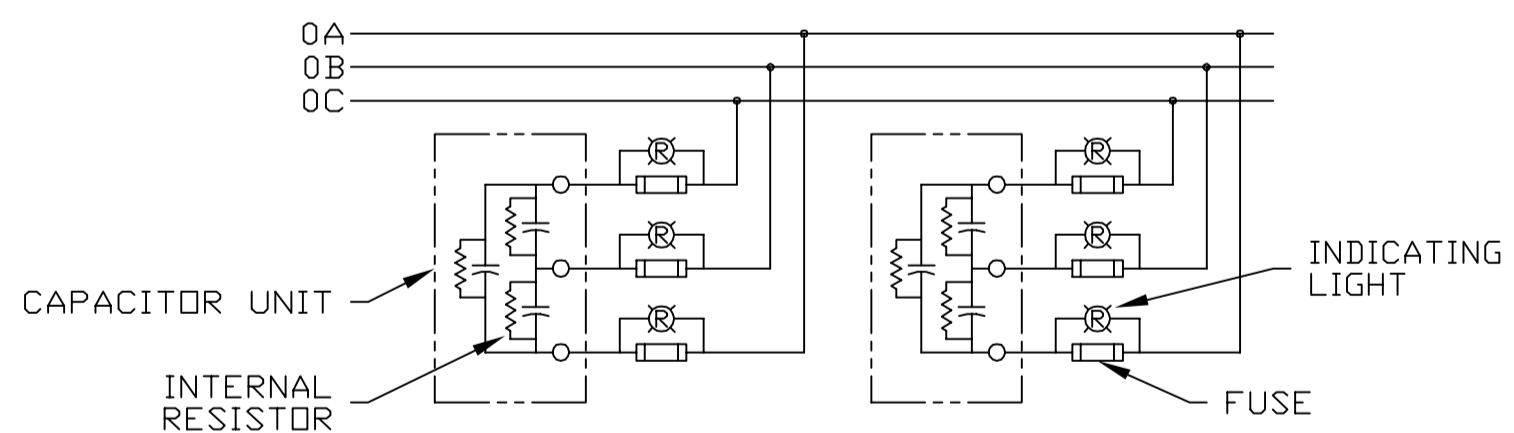


INDICATING LIGHTS



NOMENCLATURE

- 1. ALUMINUM BASE FRAME
- 2. CAPACITOR UNIT
- 3. COPPER BUS BARS
- 4. LINE TERMINAL - #4/0 TO 600 MCM
- 5. GROUND TERMINAL - #6AWG TO 250 MCM
- 6. BUS ENCLOSURE
- 7. ACCESS COVER
- 8. RATING NAMEPLATE
- 9. OPTIONAL FIELD ASSEMBLED WALL MTG. FRAME



CONNECTION DIAGRAM

CAT 65L925TE2 SERNO
 KVAR 200 60Hz 3ph
 VOLT 480 DIAG 186C3233EB
 CONN DELTA
 Read instructions: GEH-2728

SIGNATURES		DATE	
DRAWN E.McGINN		9/24/92	
CHECKED			
ENGR			
ISSUED		9/30/93	
CAD SYS. NO.		AUTOCAD	

INDUSTRIAL SYSTEMS
 FORT EDWARD, N.Y., U.S.A.

OUTLINE
 65L925TE2

FIRST MADE FOR:

SIZE C	FSCM NO.	DWG NO. 65L925TE2	REV 1
SCALE	SHEET	CONT ON SHT	DISTR TO

413

4

3

2

1