

4

3

2

C

SIZE DWG NO.

SHT

REV

1

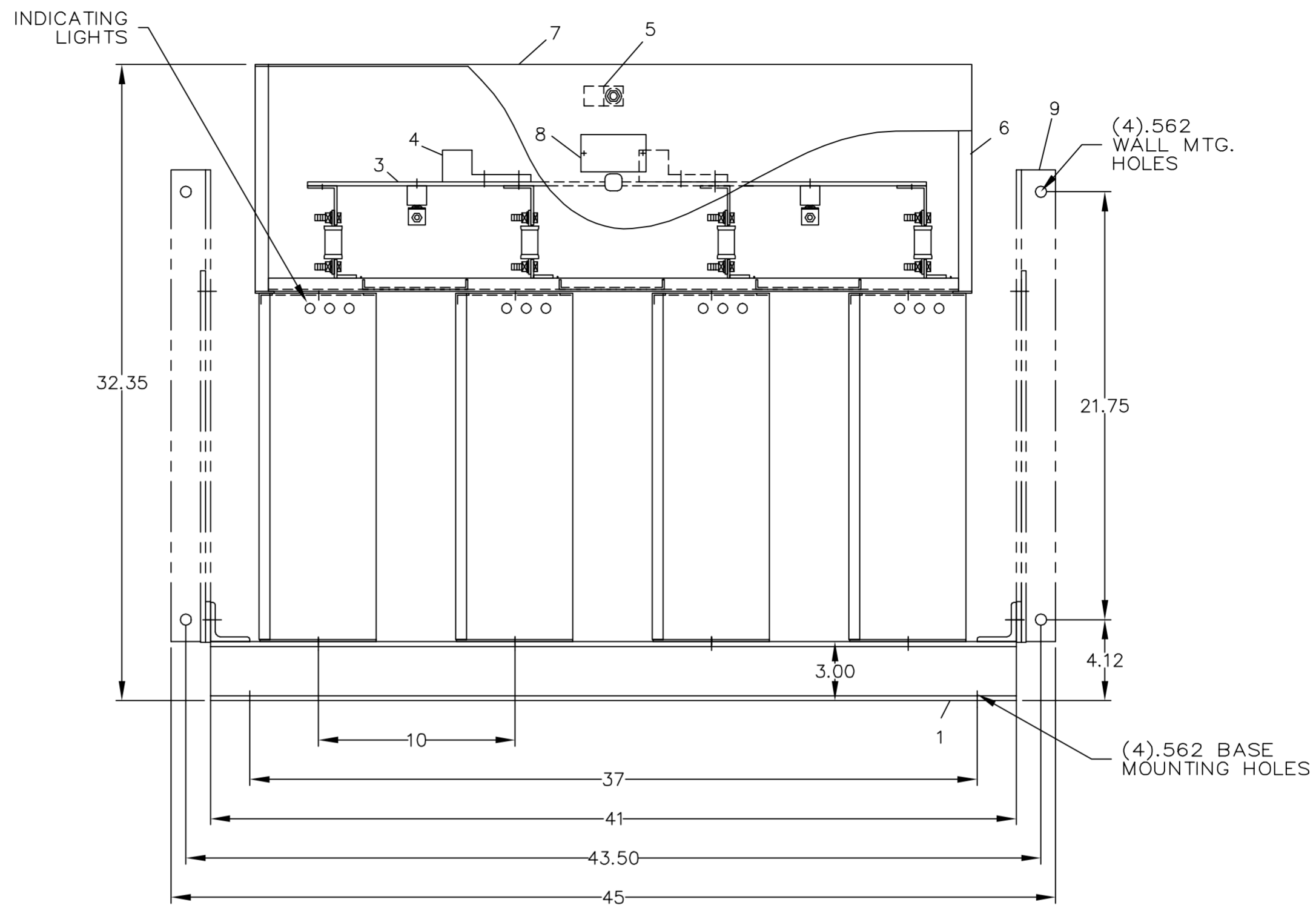
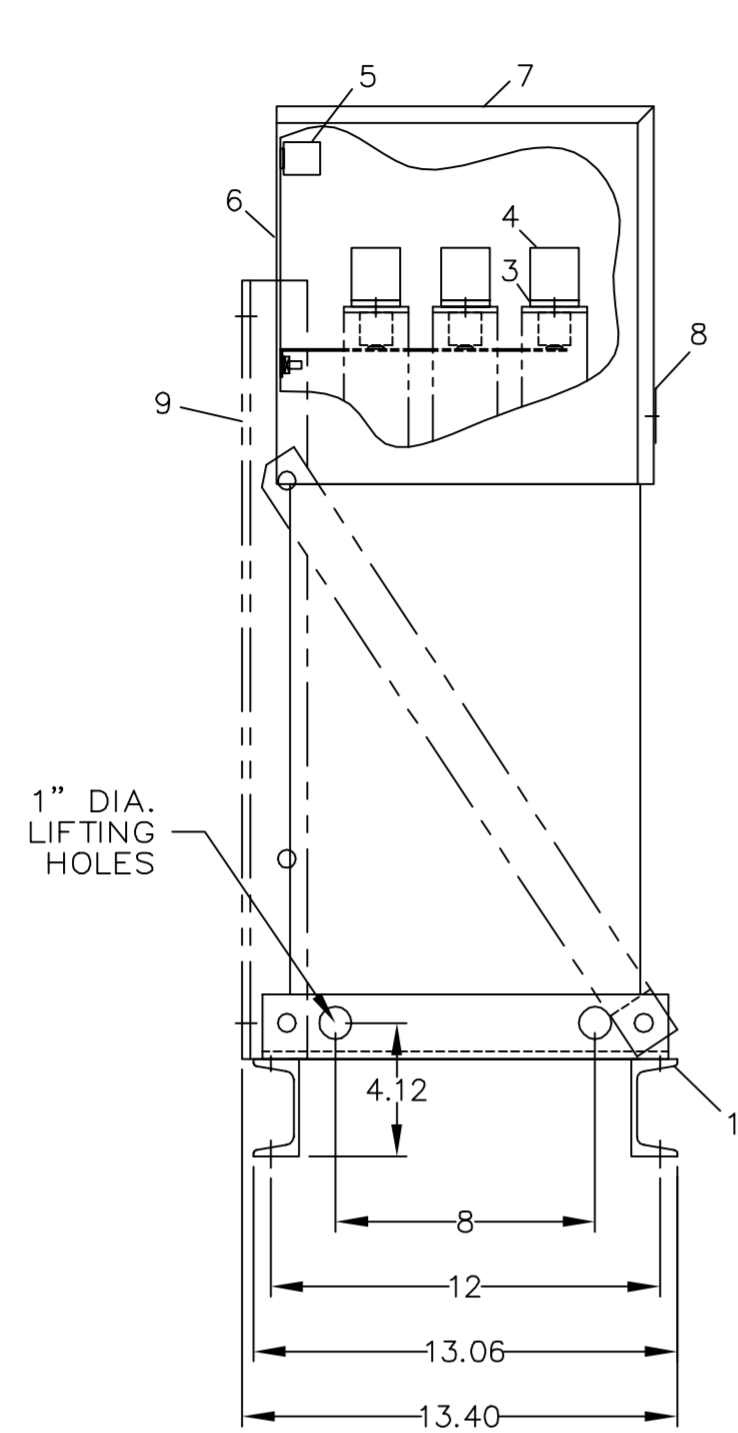
1

1

65L925TK2

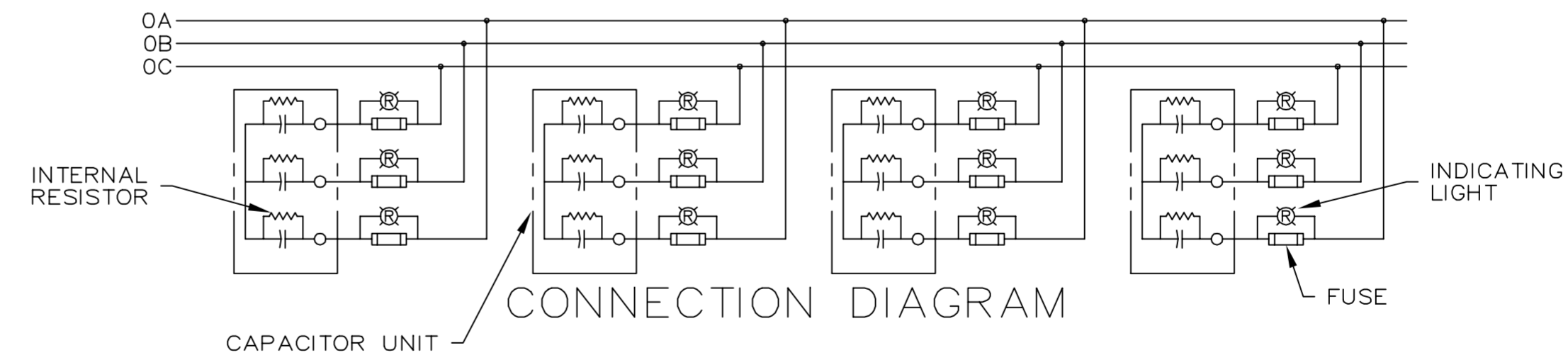
REVISIONS

REV	DESCRIPTION	DATE	APPROVED
1	UPDATE TO AUTOCAD		EJM



NOMENCLATURE

1. ALUMINUM BASE FRAME
2. CAPACITOR UNIT
3. COPPER BUS BARS
4. LINE TERMINAL - #4/0 TO 600 MCM
5. GROUND TERMINAL - #6AWG TO 250 MCM
6. BUS ENCLOSURE
7. ACCESS COVER
8. RATING NAMEPLATE
9. OPTIONAL FIELD ASSEMBLED WALL MTG. FRAME



CAT 65L925TK2 SERNO
 KVAR 200 60Hz 3ph
 VOLT 600 DIAG 186C3233GA
 CONN Y-CONN
 Read instructions: GEH-2728

SIGNATURES	DATE
DRAWN E.McGINN	9/29/93
CHECKED	
ENGR	
ISSUED	9/30/93
CAD SYS. NO.	
AUTOCAD	



INDUSTRIAL SYSTEMS
FORT EDWARD, N.Y., U.S.A.

OUTLINE
65L925TK2

FIRST MADE FOR:

SIZE	FSCM NO.	DWG NO.	REV
C		65L925TK2	1
SCALE		SHEET 1	CONT ON SHT -

413
DISTR TO