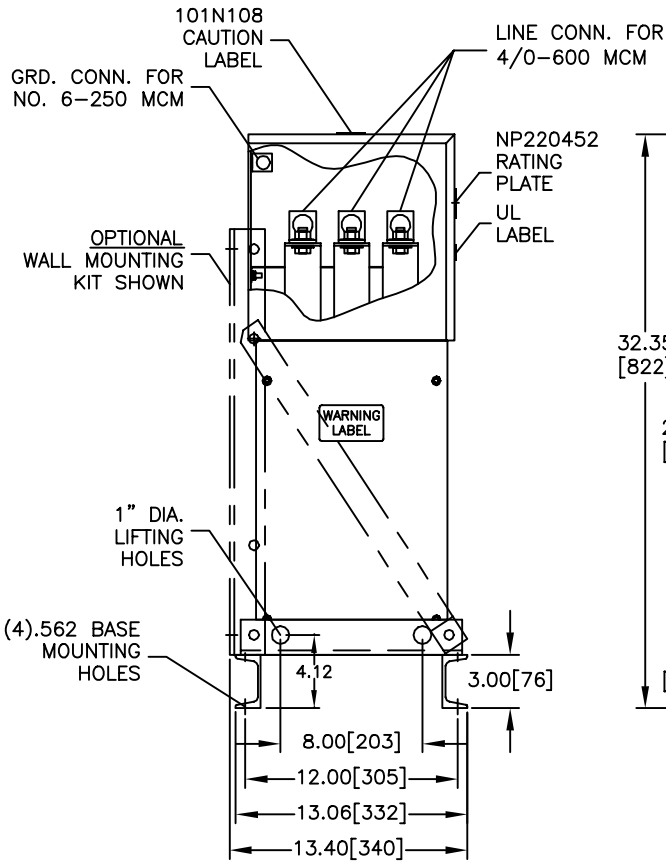
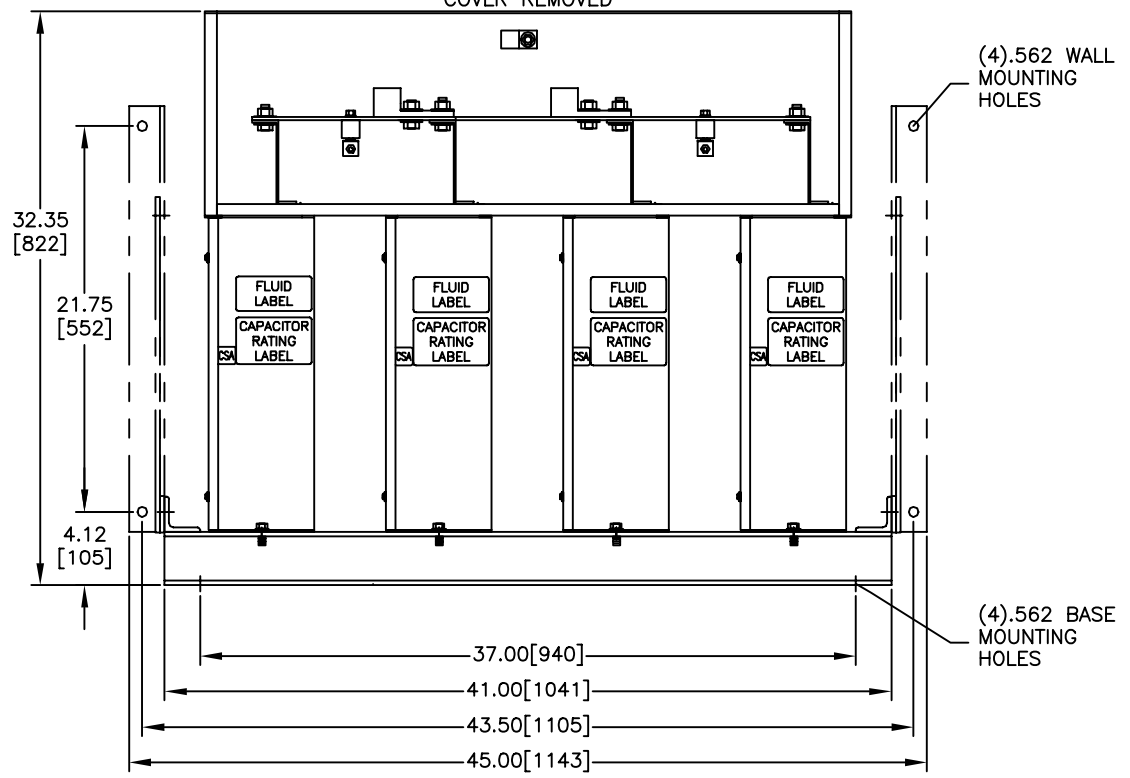


|           |                     |          |          |
|-----------|---------------------|----------|----------|
| SIZE<br>A | DWG NO<br>65L925TX3 | SHT<br>2 | REV      |
| REV       | DESCRIPTION         | DATE     | APPROVED |



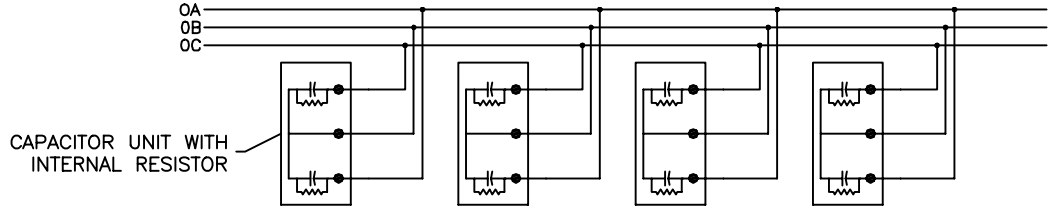
FRONT VIEW  
SHOWN WITH TOP/FRONT COVER REMOVED



## CAPACITOR

CAT. 65L925TX3      SER.NO.  
kVAR 200      60 Hz      1 Ph  
VOLT. 240      CONN. COM CTR  
DIAG. 186C3233GN

**CAUTION** BEFORE INSTALLING OR OPERATING READ INST. 2738  
CAPACITOR UNITS CONTAIN CLASS III B COMBUSTIBLE LIQUID.  
CAPACITOR UNITS INCLUDE INTERNAL DISCHARGE RESISTORS.  
NP220452      FORT EDWARD, N.Y.      MADE IN U.S.A.



CONNECTION DIAGRAM

|  |                   |                         |   |
|--|-------------------|-------------------------|---|
| <b>INDUSTRIAL SYSTEMS</b><br>FORT EDWARD, N.Y., U.S.A. | SIZE<br>A         | EST. WEIGHT:<br>196     | <h1 style="margin: 0;">OUTLINE</h1> <h2 style="margin: 0;">65L925TX3</h2> |
|  | SCALE             | GALLONS LIQUID:<br>1.56 |   |
| DRAWN<br>B.Ross  | DATE<br>8/8/2003  | SHEET<br>2              | CONT<br>ON —  |
| ISSUED   | DATE<br>8/13/2003 |                         |   |

DISTR. TO