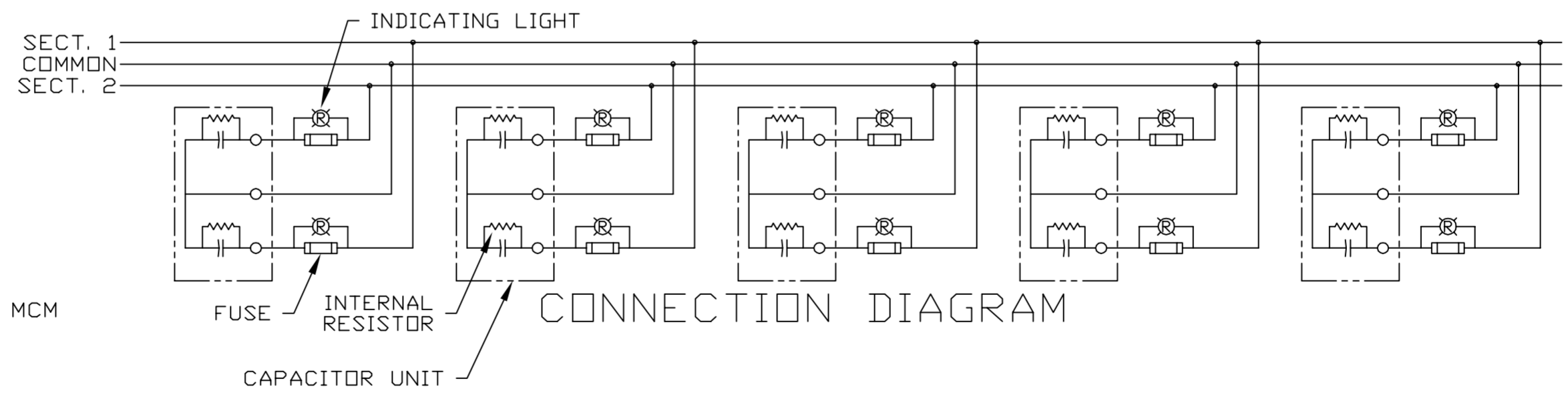
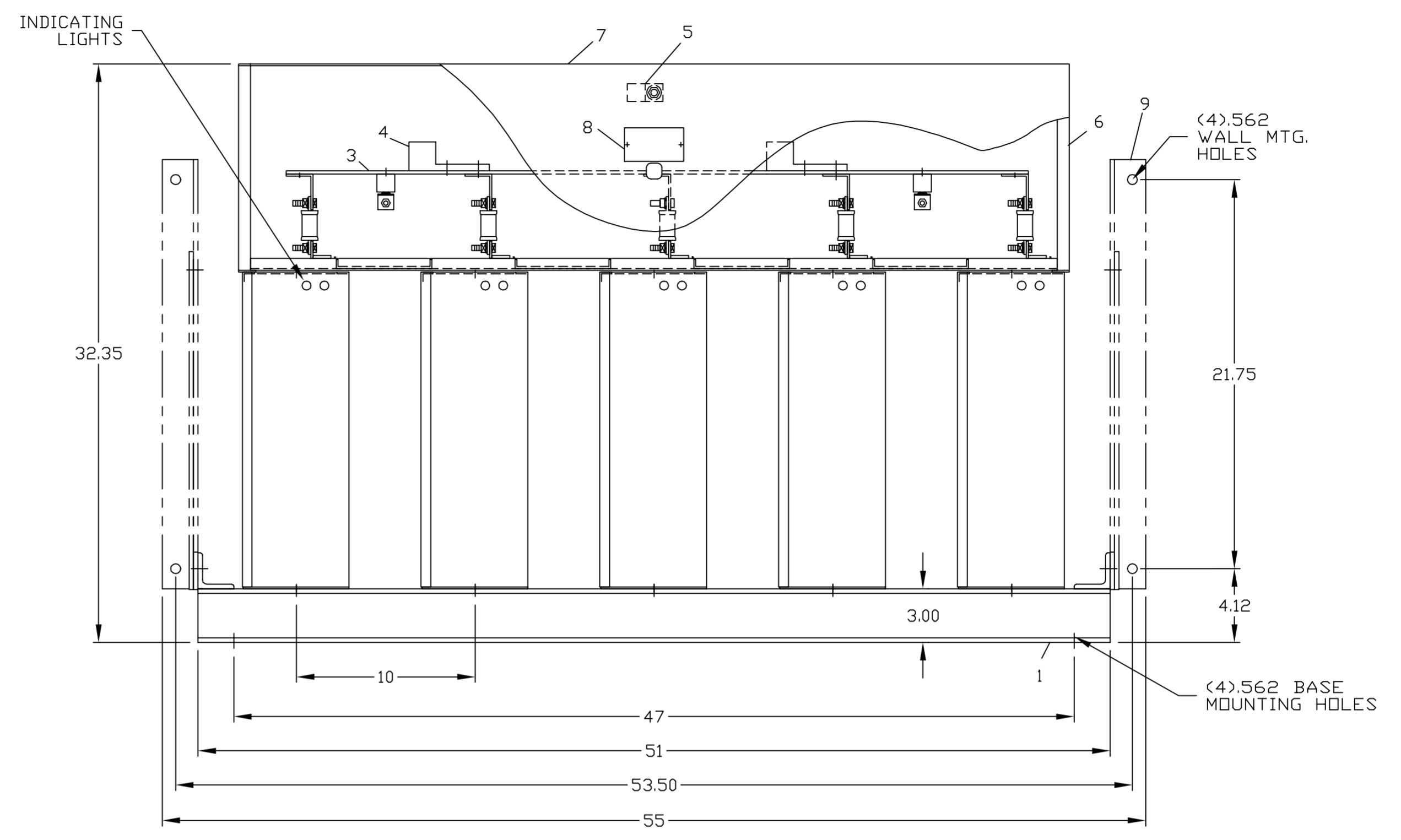
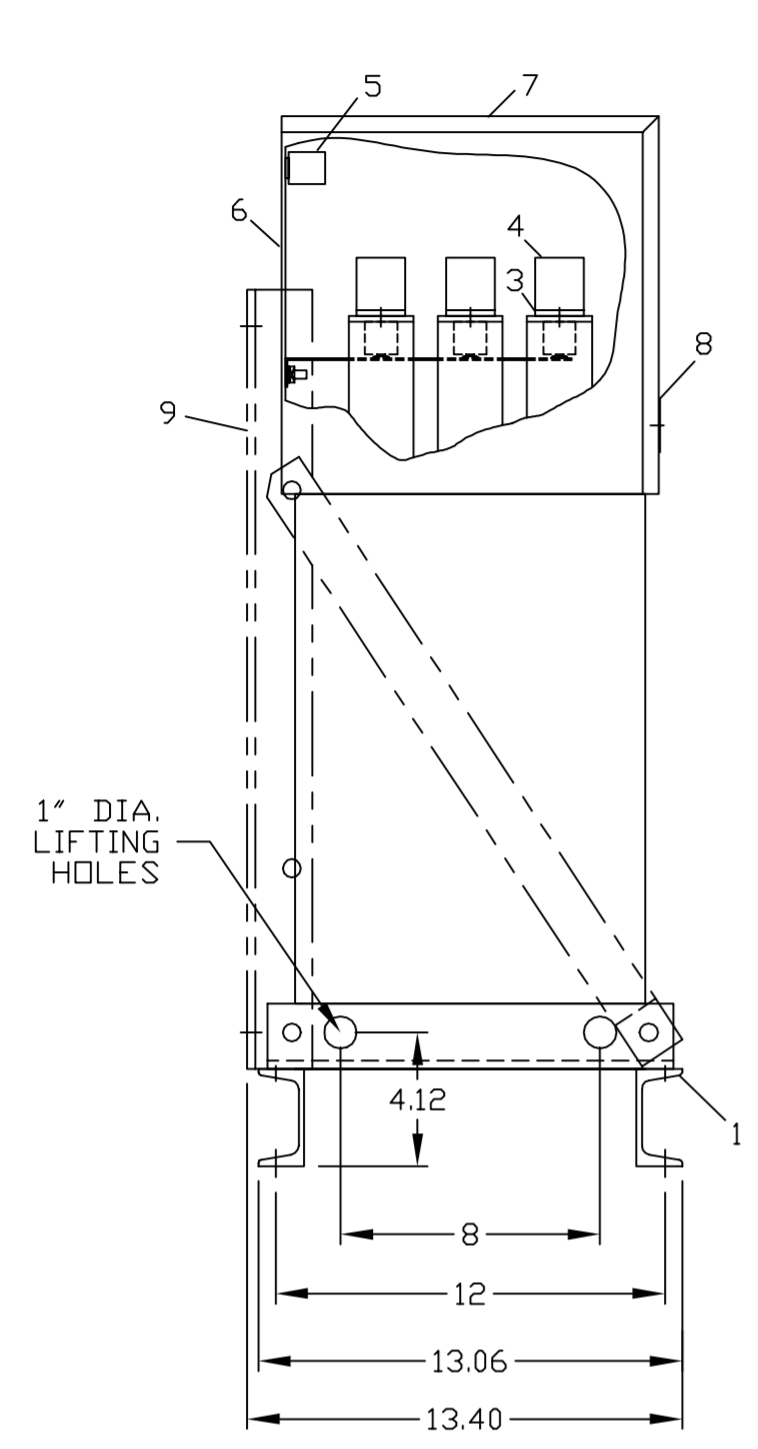


REVISIONS			
REV	DESCRIPTION	DATE	APPROVED
1	UPDATE TO AUTOCAD		FWL



NOMENCLATURE

1. ALUMINUM BASE FRAME
2. CAPACITOR UNIT
3. COPPER BUS BARS
4. LINE TERMINAL - #4/0 TO 600 MCM
5. GROUND TERMINAL - #6AWG TO 250 MCM
6. BUS ENCLOSURE
7. ACCESS COVER
8. RATING NAMEPLATE
9. OPTIONAL FIELD ASSEMBLED WALL MTG. FRAME

CAT 65L925TZ2 SERNO
 KVAR 200 60Hz 1ph
 VOLT 240 DIAG 186C3233HG
 CONN COM CTR
 Read instructions: GEH-2728

SIGNATURES	DATE
DRAWN E.McGINN	10/1/92
CHECKED	
ENGR	
ISSUED	9/30/93
CAD SYS. NO.	
AUTOCAD	

INDUSTRIAL SYSTEMS
 FORT EDWARD, N.Y., U.S.A.

OUTLINE
 65L925TZ2

FIRST MADE FOR:

SIZE C	FSCM NO.	DWG NO. 65L925TZ2	REV 1
SCALE	SHEET 1	CONT ON SHT	-

DISTR TO 413