

4

3

2

C

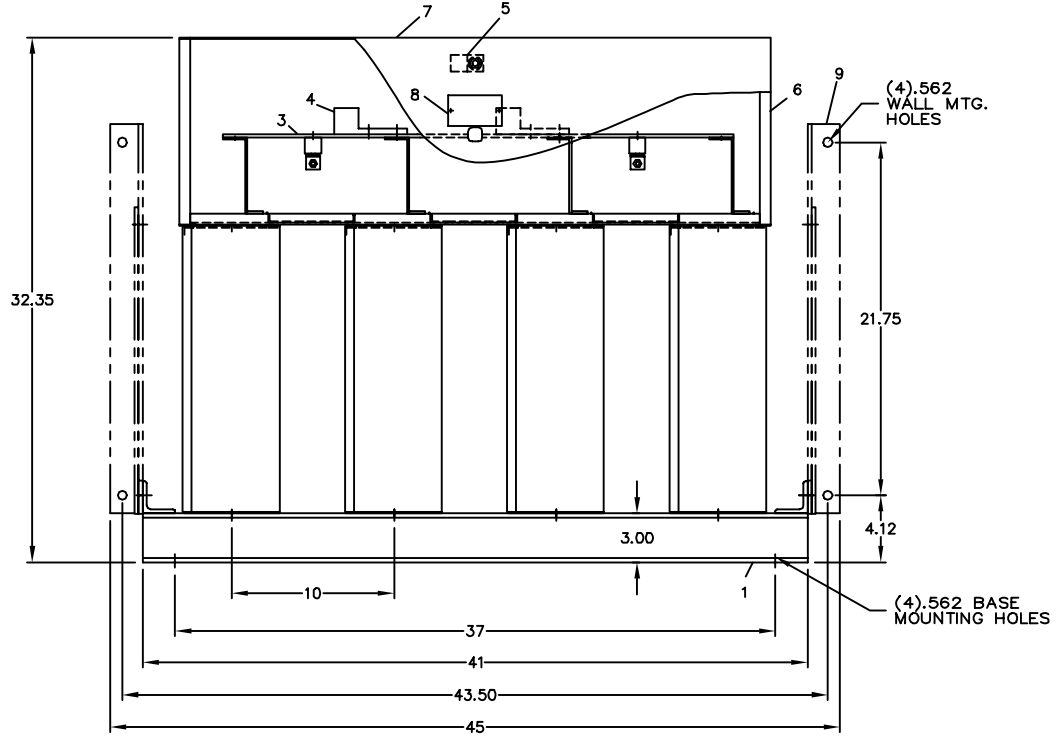
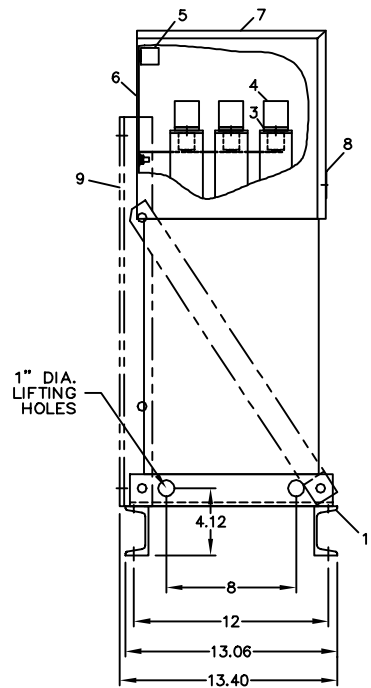
65L926TF2

1

REV

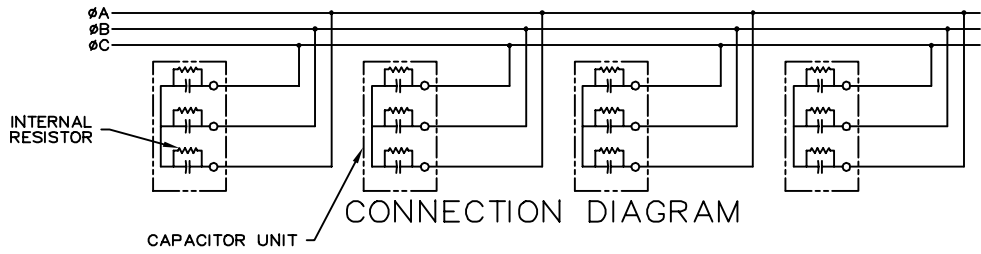
1

REVISIONS			
REV	DESCRIPTION	DATE	APPROVED



NOMENCLATURE

1. ALUMINUM BASE FRAME
2. CAPACITOR UNIT
3. COPPER BUS BARS
4. LINE TERMINAL - #4/0 TO 600 MCM
5. GROUND TERMINAL - #6AWG TO 250 MCM
6. BUS ENCLOSURE
7. ACCESS COVER
8. RATING NAMEPLATE
9. OPTIONAL FIELD ASSEMBLED WALL MTG. FRAME



CAT 65L927TF2 SERNO
 KVAR 210 60Hz 3ph
 VOLT 600 DIAG 186C3233GL
 CDNN Y-CDNN
 Read Instructions: GEH-2728

SIGNATURES		DATE		INDUSTRIAL SYSTEMS FORT EDWARD, N.Y., U.S.A. OUTLINE 65L926TF2 FIRST MADE FOR:	
DRAWN B. ROSS		3/7/03			
CHECKED					
ENGR					
ISSUED					
CAD SYS. NO.		SIZE C	FSCM NO.	DWG NO. 65L926TF2	REV
AUTOCAD		SCALE		SHEET 1	CONT ON SHIT -

413

DISTR TO

4

3

2

1