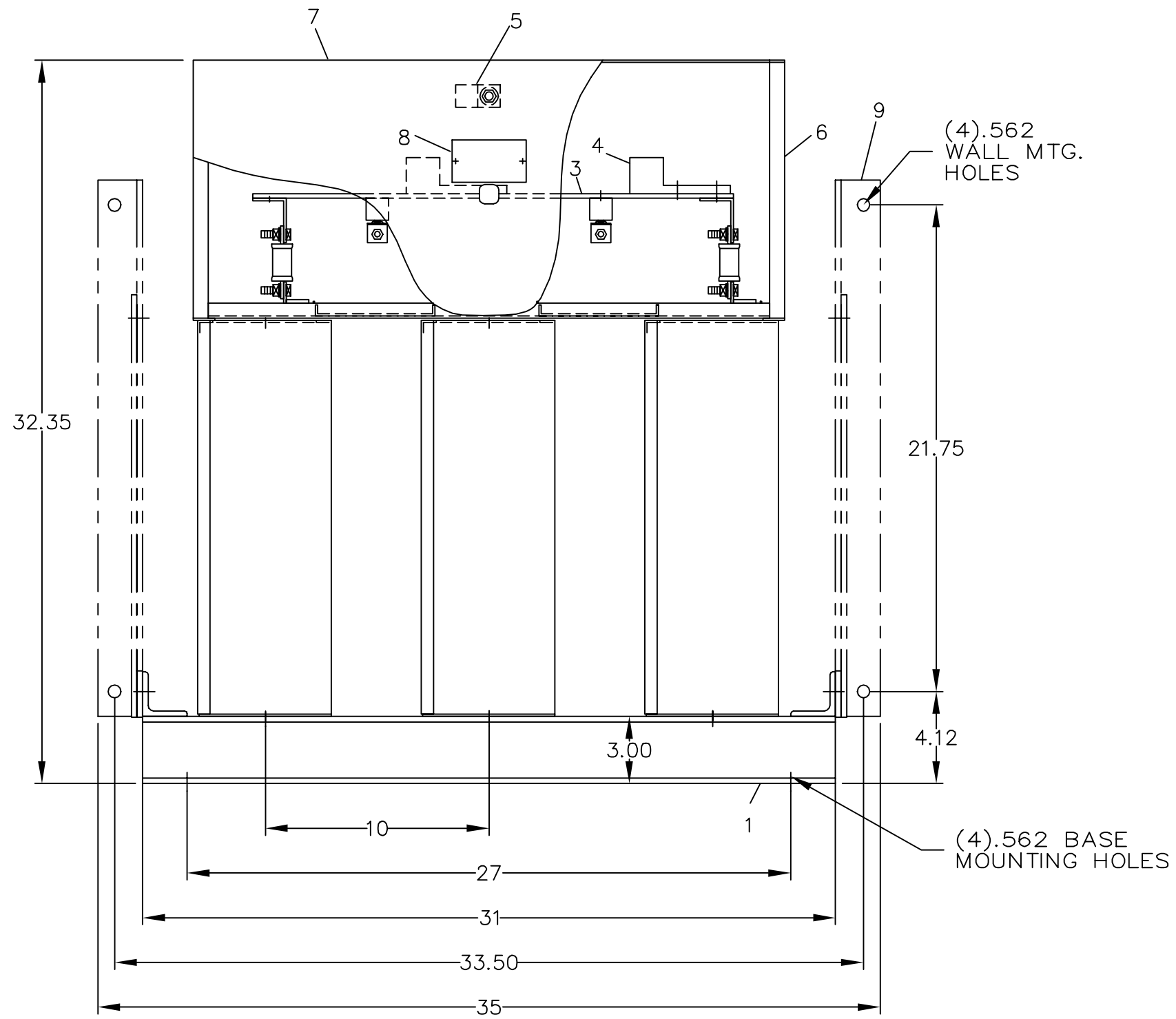
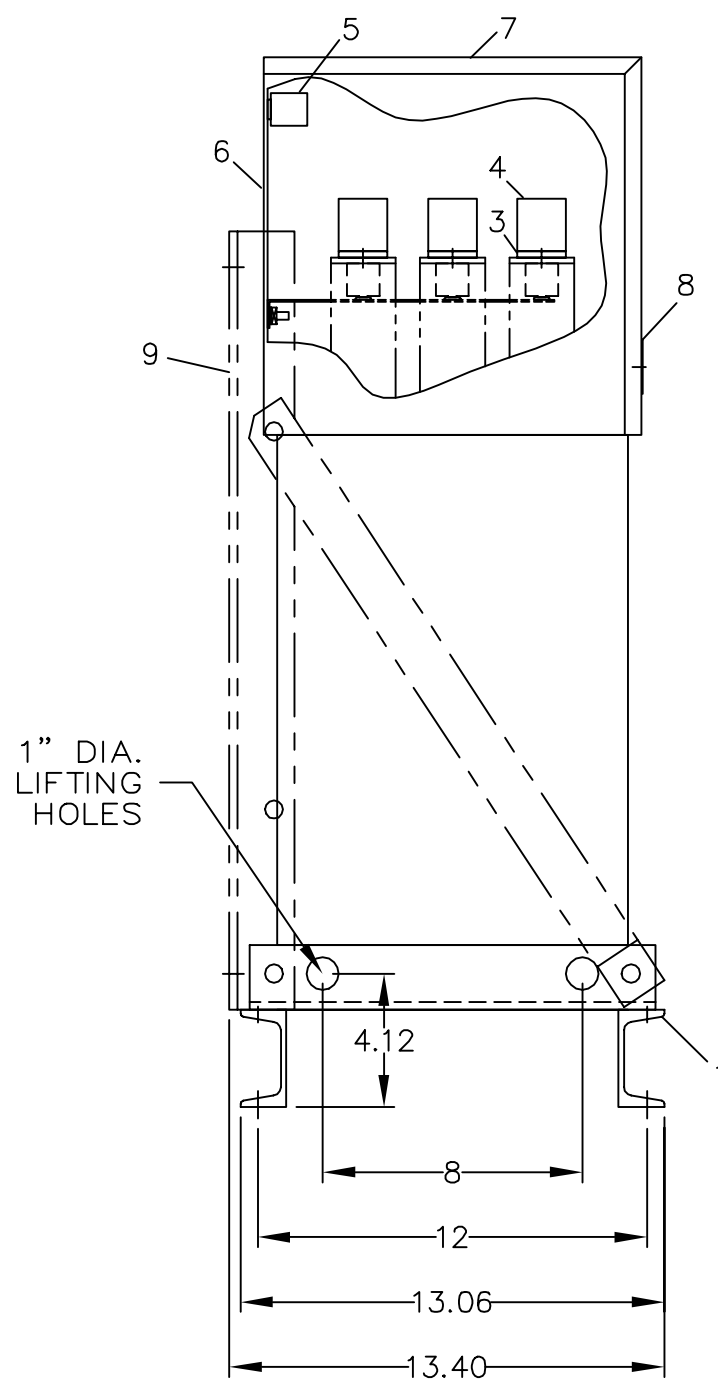


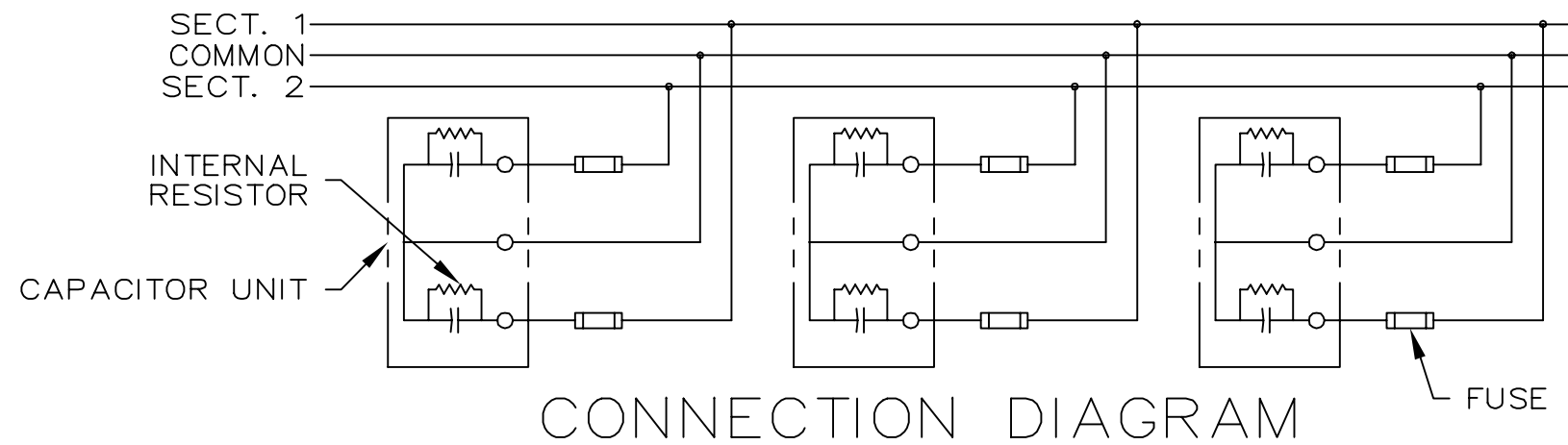
4

3

2



- NOMENCLATURE**
1. ALUMINUM BASE FRAME
 2. CAPACITOR UNIT
 3. COPPER BUS BARS
 4. LINE TERMINAL - #4/0 TO 600 MCM
 5. GROUND TERMINAL - #6AWG TO 250 MCM
 6. BUS ENCLOSURE
 7. ACCESS COVER
 8. RATING NAMEPLATE
 9. OPTIONAL FIELD ASSEMBLED WALL MTG. FRAME



CAT 65L926TS2 SERNO
 KVAR 210 60Hz 1ph
 VOLT 480 DIAG 186C3233FK
 CONN COM CTR
 Read instructions: GEH-2728

SIGNATURES		DATE		INDUSTRIAL SYSTEMS FORT EDWARD, N.Y., U.S.A. OUTLINE 65L926TS2 FIRST MADE FOR:	
DRAWN E.McGINN		9/28/93			
CHECKED					
ENGR					
ISSUED		9/30/95			
CAD SYS. NO.		SIZE C	FSCM NO.	DWG NO. 65L926TS2	REV 1
AUTOCAD		SCALE	SHEET 1		CONT ON SHT -

413
DISTR TO