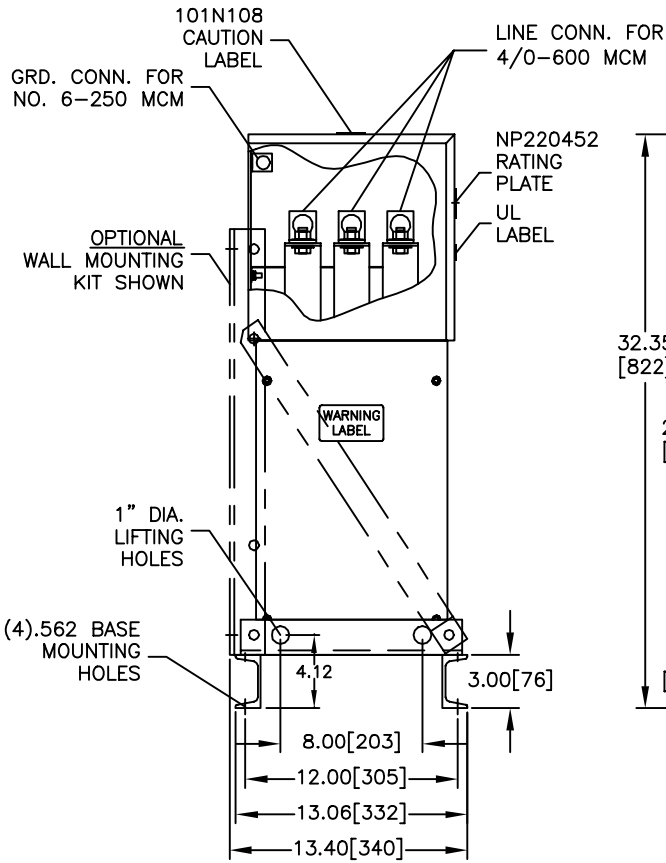
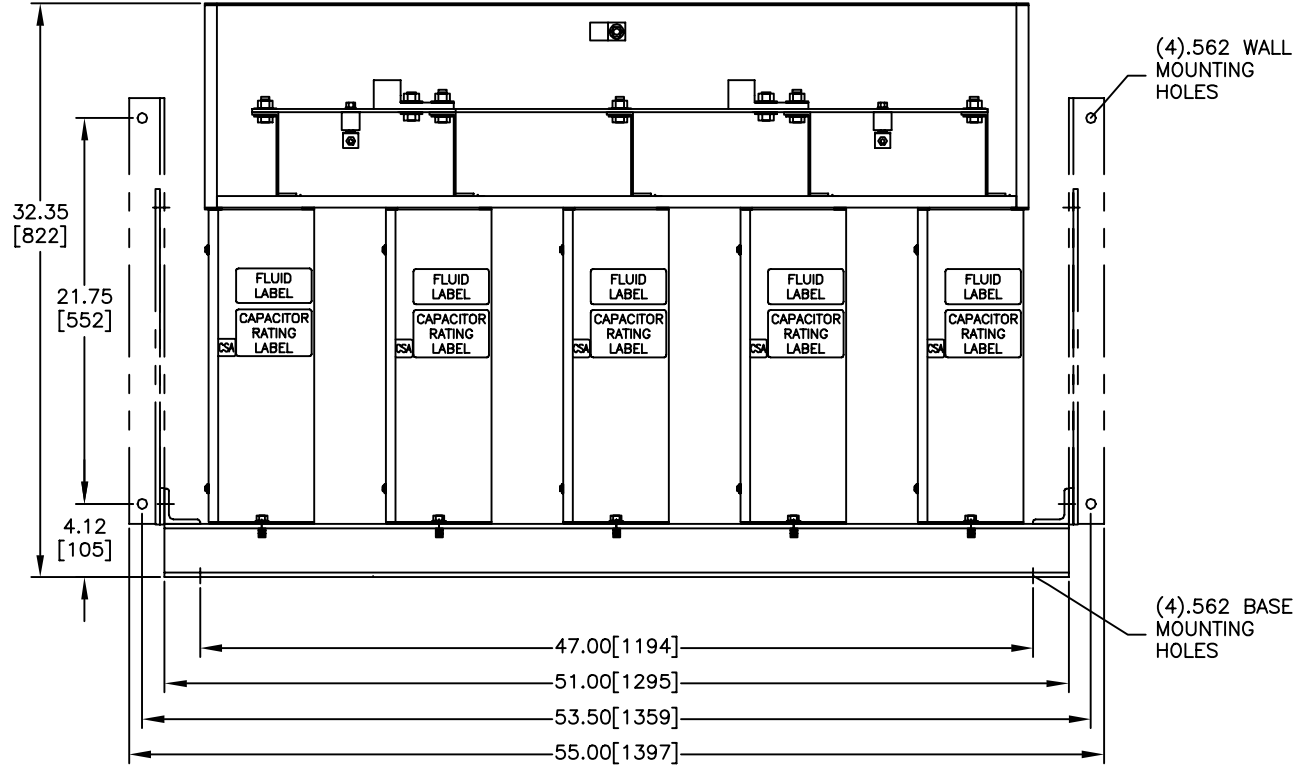


SIZE A	DWG NO 65L926TX3	SHT 2	REV
REV	DESCRIPTION	DATE	APPROVED



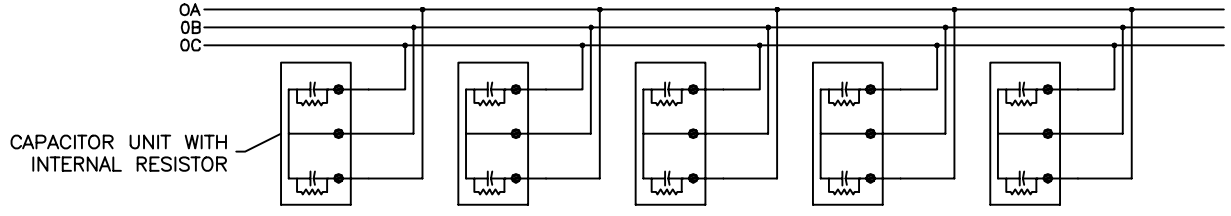
FRONT VIEW  
SHOWN WITH TOP/FRONT COVER REMOVED



## CAPACITOR

CAT. 65L926TX3      SER.NO.  
 KVAR 210      60 Hz      1 Ph  
 VOLT. 240      CONN. COM CTR  
 DIAG. 186C3233HN

**CAUTION** BEFORE INSTALLING OR OPERATING READ INST. 2738  
 CAPACITOR UNITS CONTAIN CLASS III B COMBUSTIBLE LIQUID.  
 CAPACITOR UNITS INCLUDE INTERNAL DISCHARGE RESISTORS.  
 NP220452      FORT EDWARD, N.Y.      MADE IN U.S.A.



CONNECTION DIAGRAM

<b>INDUSTRIAL SYSTEMS</b> FORT EDWARD, N.Y., U.S.A.	SIZE <b>A</b>	EST. WEIGHT: 242	<h1 style="margin: 0;">OUTLINE</h1> <h2 style="margin: 0;">65L926TX3</h2>
	SCALE	GALLONS LIQUID: 2.51	
DRAWN B.Ross	DATE 8/8/2003	SHEET 2	
ISSUED	DATE 8/13/2003	CONT ON —	

DISTR. TO