

4

3

2

C

SIZE DWG NO.

65L927TE2

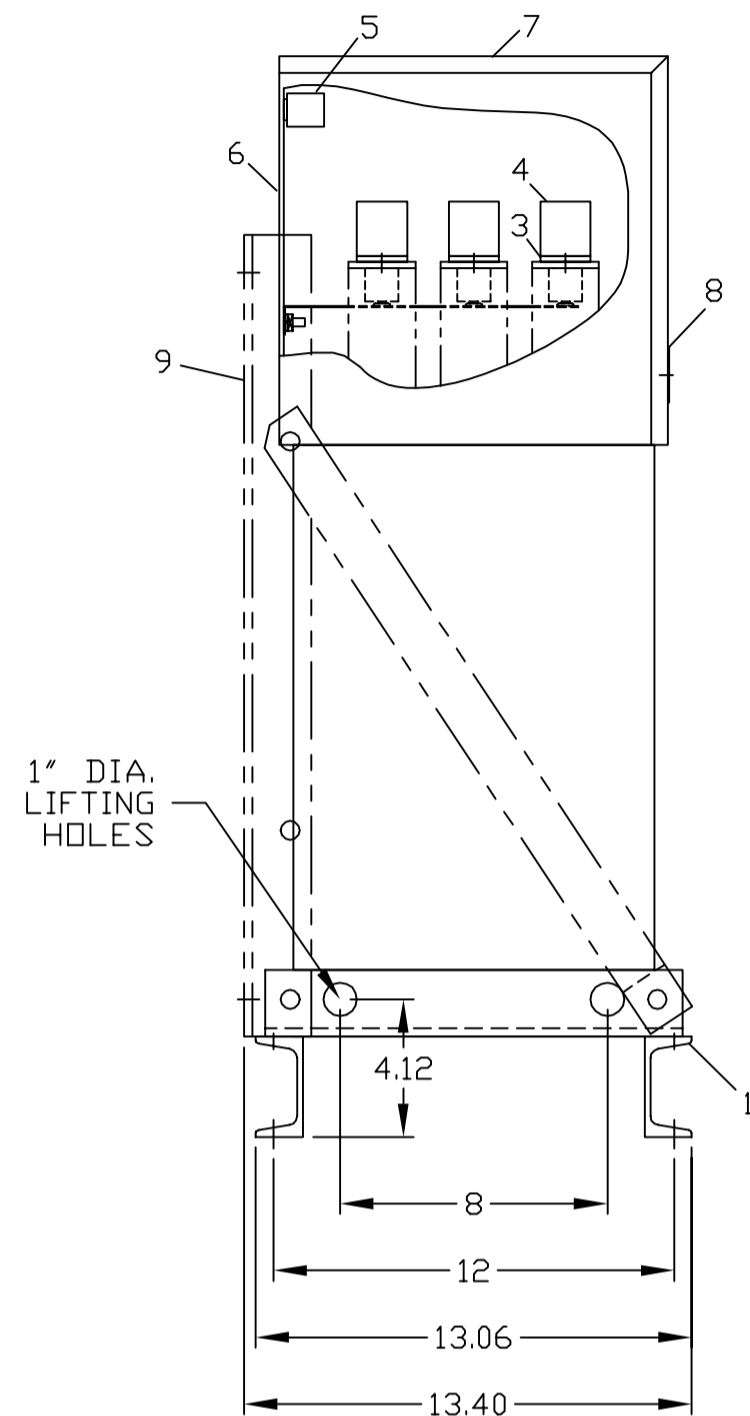
SHT

REV NO.

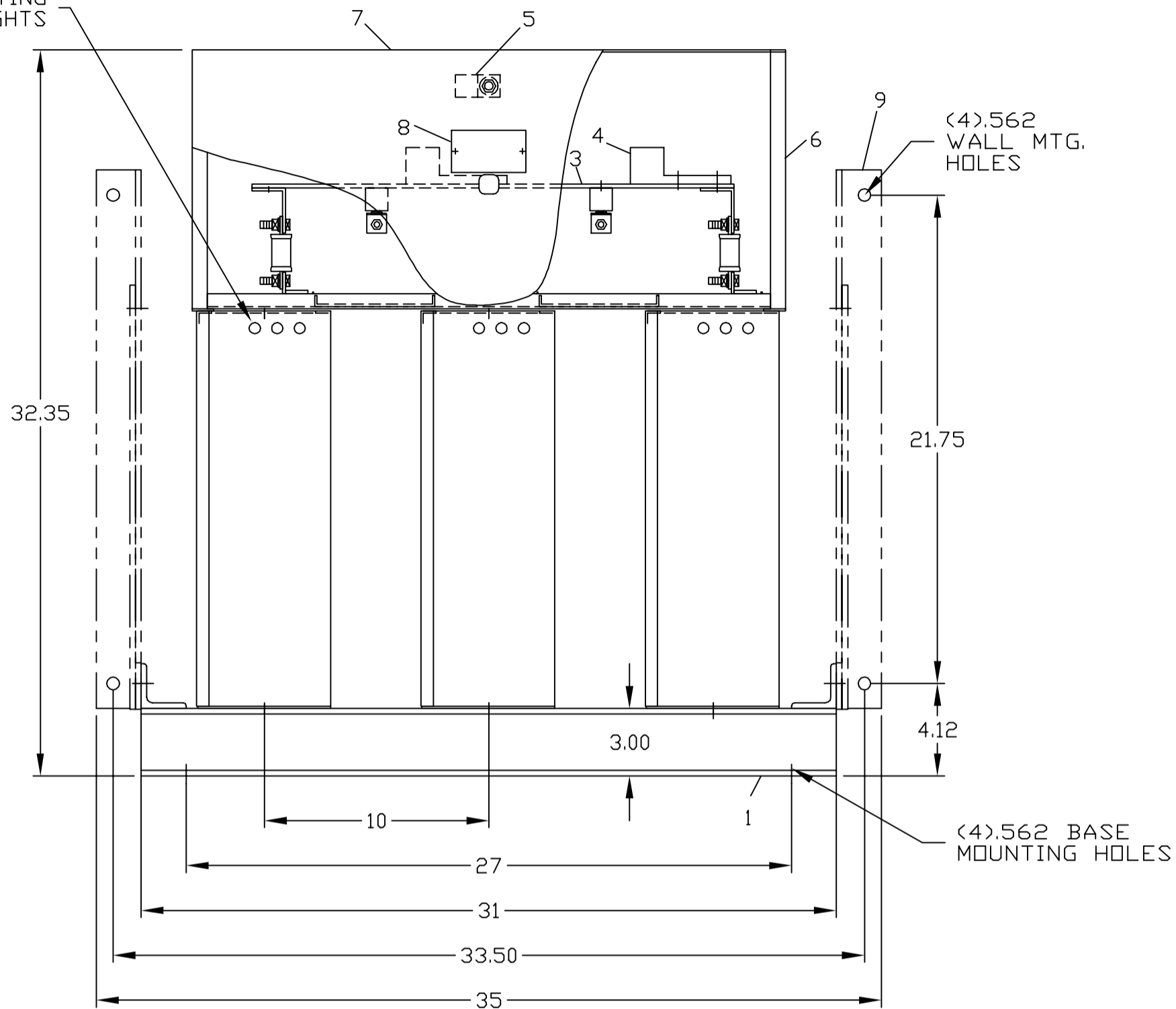
1

1

| REVISIONS | | | |
|-----------|-------------------|------|----------|
| REV | DESCRIPTION | DATE | APPROVED |
| 1 | UPDATE TO AUTOCAD | | KS |

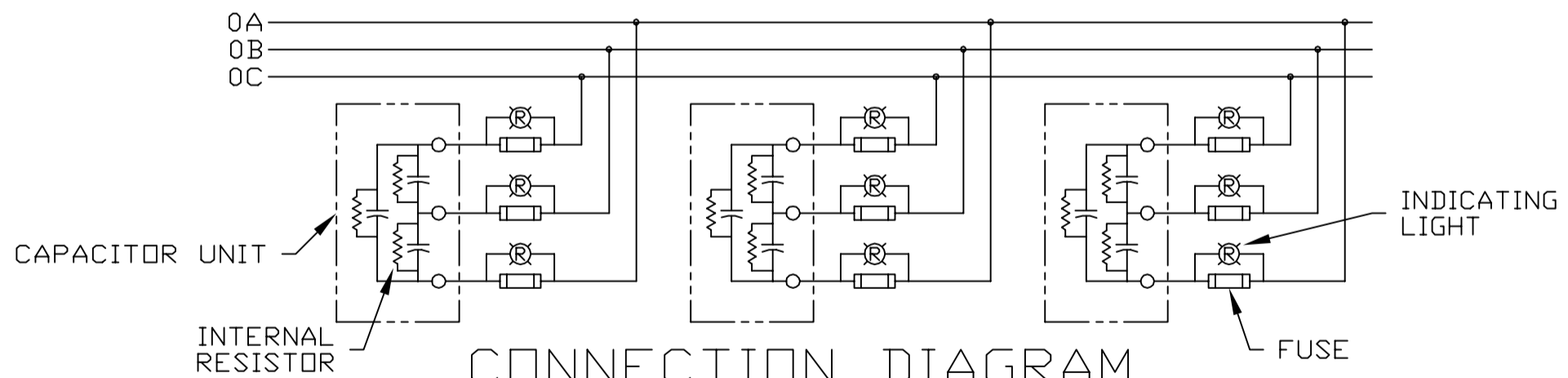


INDICATING LIGHTS



NOMENCLATURE

1. ALUMINUM BASE FRAME
2. CAPACITOR UNIT
3. COPPER BUS BARS
4. LINE TERMINAL - #4/0 TO 600 MCM
5. GROUND TERMINAL - #6AWG TO 250 MCM
6. BUS ENCLOSURE
7. ACCESS COVER
8. RATING NAMEPLATE
9. OPTIONAL FIELD ASSEMBLED WALL MTG. FRAME



CAT 65L927TE2 SERNO
 KVAR 220 60Hz 3ph
 VOLT 480 DIAG 186C3233FB
 CONN DELTA
 Read instructions: GEH-2728

| | | |
|----------------|--|---------|
| SIGNATURES | | DATE |
| DRAWN E.McGINN | | 9/28/92 |
| CHECKED | | |
| ENGR | | |
| ISSUED | | 9/30/93 |
| CAD SYS. NO. | | |
| AUTOCAD | | |



INDUSTRIAL SYSTEMS
FORT EDWARD, N.Y., U.S.A.

OUTLINE
65L927TE2

FIRST MADE FOR:

| | | | |
|-------|----------|-------------|----------|
| SIZE | FSCM NO. | DWG NO. | REV |
| C | | 65L927TE2 | 1 |
| SCALE | SHEET | CONT ON SHT | DISTR TO |

413

4

3

2

1