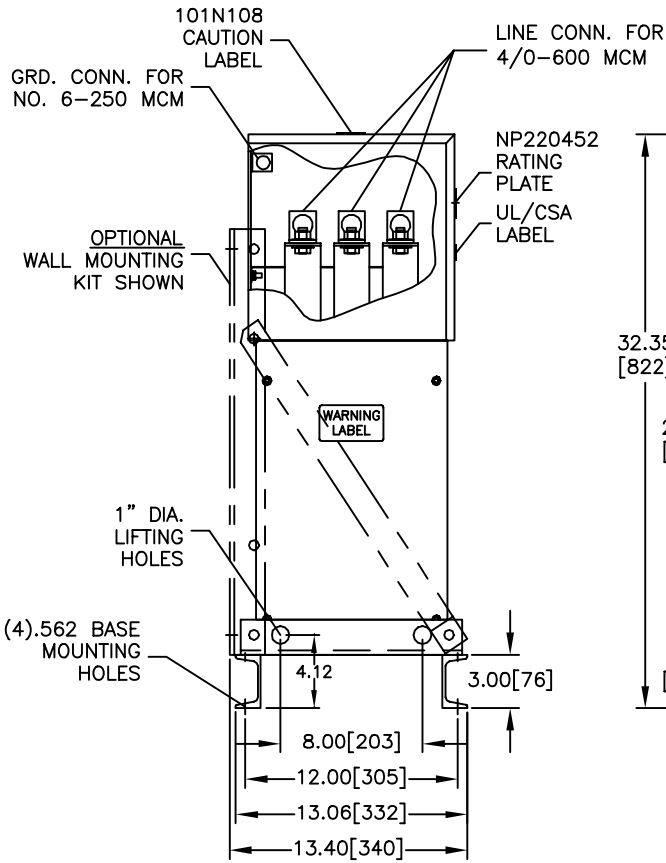
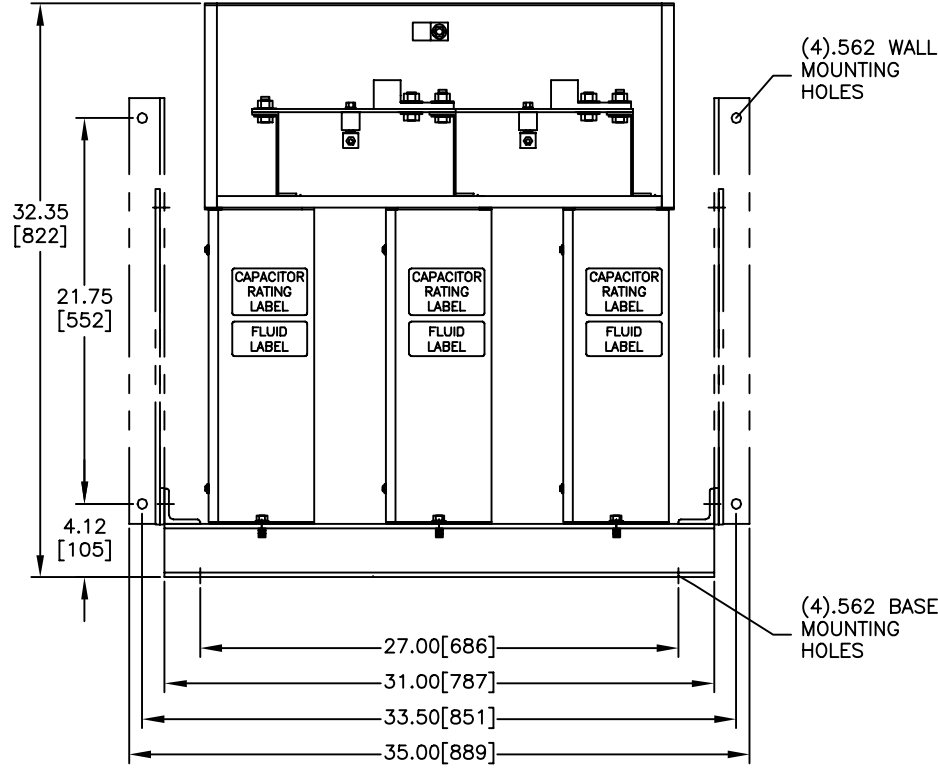


| | | | |
|-----------|---------------------|----------|----------|
| SIZE A | DWG NO 65L927TF3 | SHT 2 | REV |
| REV | DESCRIPTION | DATE | APPROVED |



FRONT VIEW
SHOWN WITH TOP/FRONT COVER REMOVED



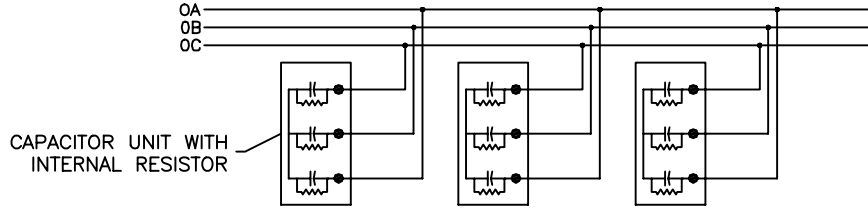
CAPACITOR

CAT. 65L927TF3 SER.NO.
kVAR 220 60 Hz 3 Ph
VOLT. 600 CONN. WYE

DIAG. 186C3233FL

CAUTION BEFORE INSTALLING OR OPERATING READ INST. 2738

CAPACITOR UNITS CONTAIN CLASS III B COMBUSTIBLE LIQUID.
CAPACITOR UNITS INCLUDE INTERNAL DISCHARGE RESISTORS.
NP220452 FORT EDWARD, N.Y. MADE IN U.S.A.



CONNECTION DIAGRAM

| | | | |
|---|---|-------------------------|---|
| INDUSTRIAL SYSTEMS FORT EDWARD, N.Y., U.S.A. | SIZE A | EST. WEIGHT: 135 | <h1 style="margin: 0;">OUTLINE</h1> <h1 style="margin: 0;">65L927TF3</h1> |
| | DRAWN A.Cozzens DATE 6/26/2003 | GALLONS LIQUID: 1.42 | |
| ISSUED | DATE 7/9/2003 | SHEET 2 | CONT ON - |

DISTR. TO