

4

3

2

C

SIZE DWG NO.

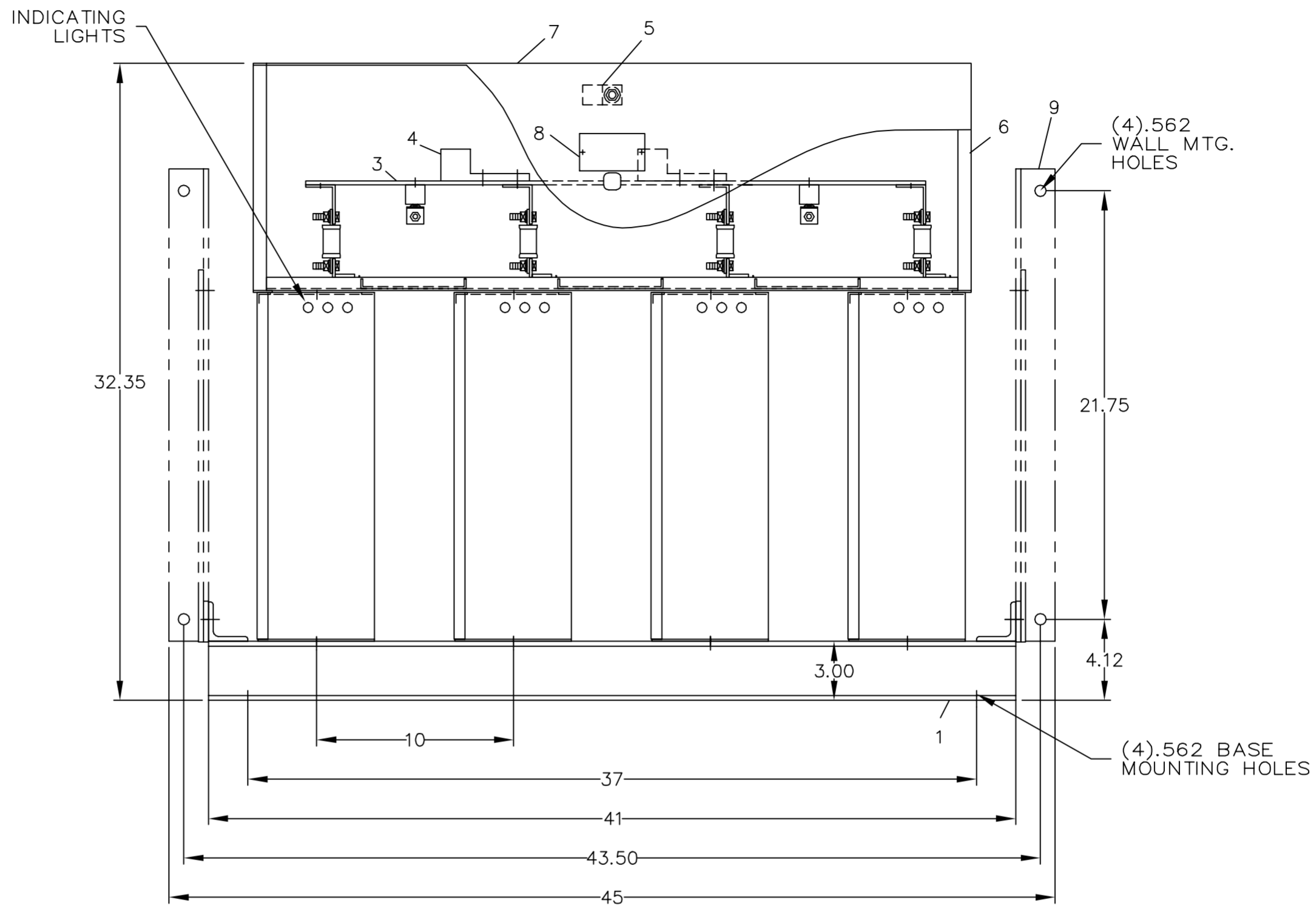
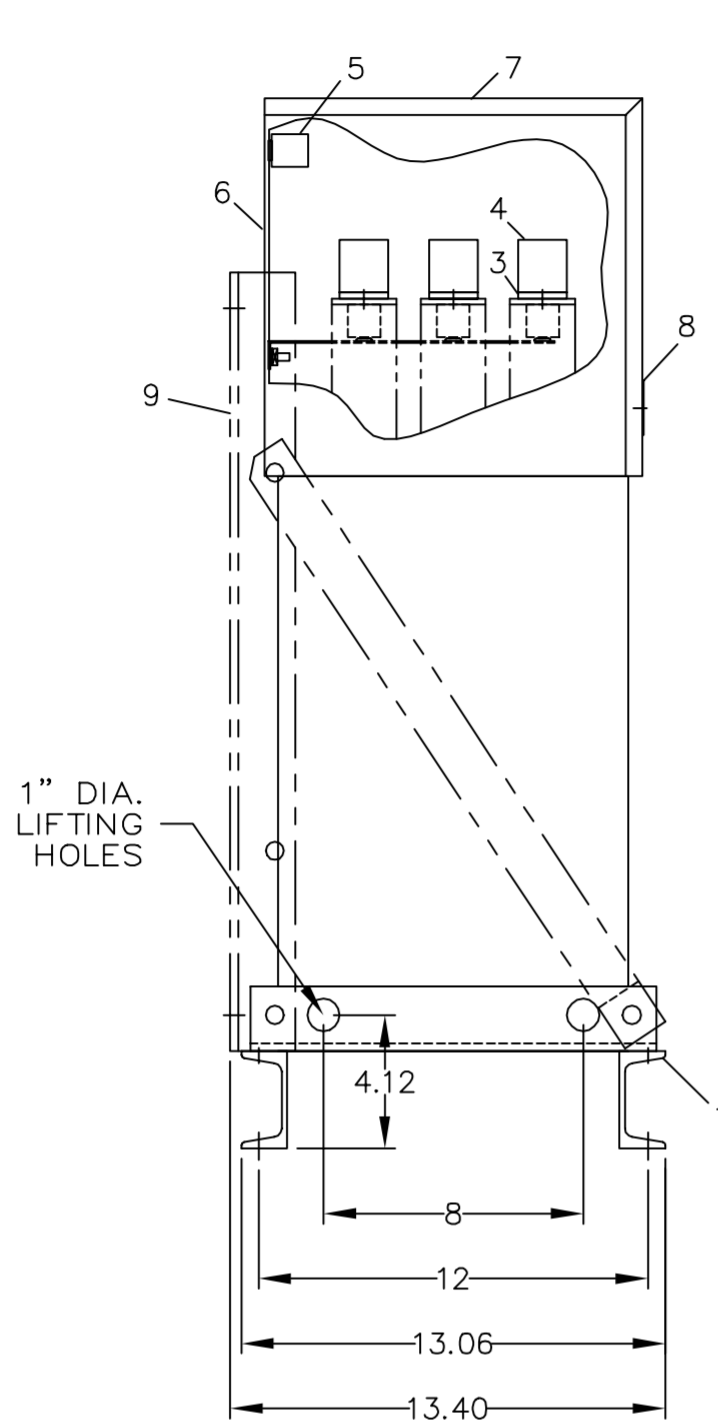
65L927TK2

SHT 1

REV 1

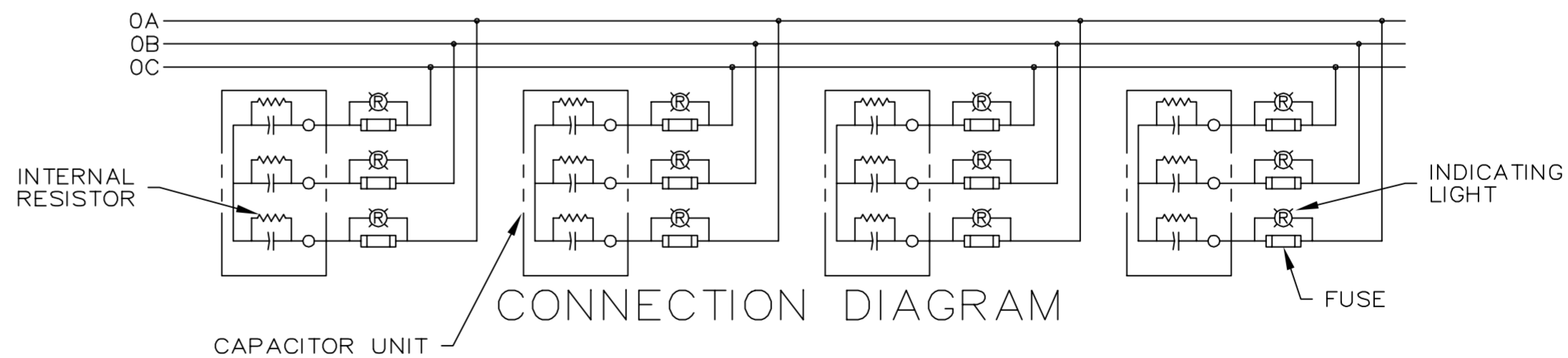
1

REVISIONS			
REV	DESCRIPTION	DATE	APPROVED
1	UPDATE TO AUTOCAD		EJM



NOMENCLATURE

- 1. ALUMINUM BASE FRAME
- 2. CAPACITOR UNIT
- 3. COPPER BUS BARS
- 4. LINE TERMINAL - #4/0 TO 600 MCM
- 5. GROUND TERMINAL - #6AWG TO 250 MCM
- 6. BUS ENCLOSURE
- 7. ACCESS COVER
- 8. RATING NAMEPLATE
- 9. OPTIONAL FIELD ASSEMBLED WALL MTG. FRAME



CAT 65L927TK2 SERNO  
 KVAR 220 60Hz 3ph  
 VOLT 600 DIAG 186C3233GA  
 CONN Y-COON  
 Read instructions: GEH-2728

SIGNATURES		DATE		<b>INDUSTRIAL SYSTEMS</b> <b>FORT EDWARD, N.Y., U.S.A.</b>	
DRAWN E.McGINN		9/29/93			
CHECKED					
ENGR					
ISSUED		9/30/93		OUTLINE <b>65L927TK2</b>	
FIRST MADE FOR:				413 DISTR TO	
CAD SYS. NO.		SIZE C	FSCM NO.		DWG NO. 65L927TK2
AUTOCAD		SCALE	SHEET 1		CONT ON SHT -

4

3

2

1