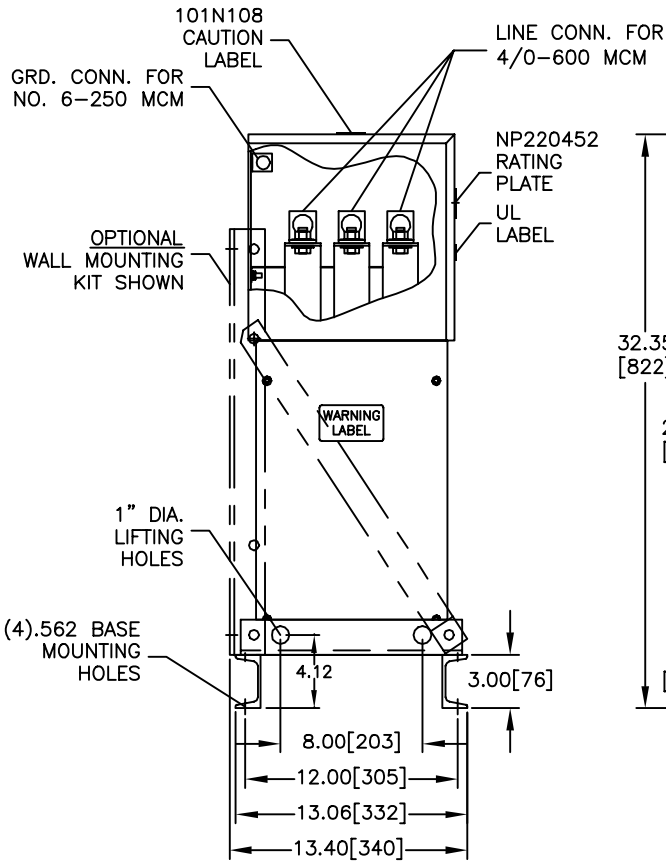
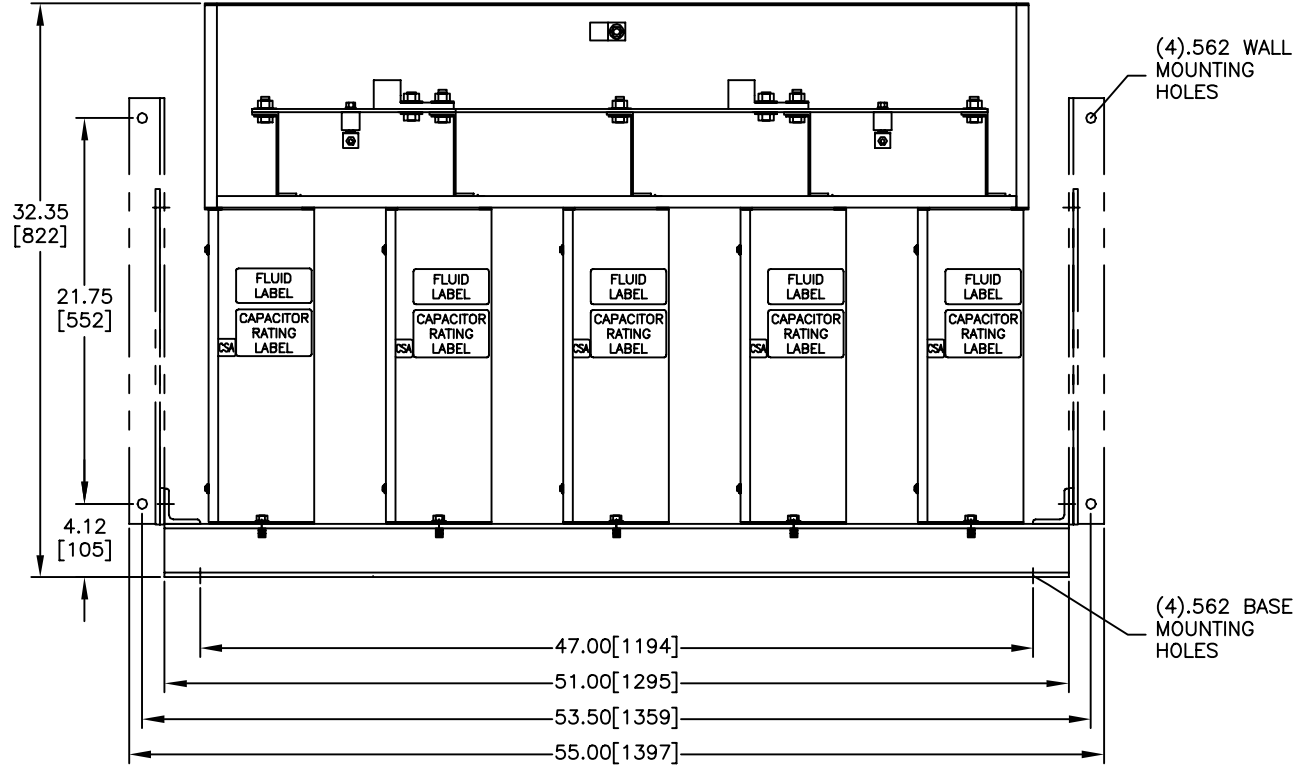


SIZE A	DWG NO 65L927TL3	SHT 2	REV
REV	DESCRIPTION	DATE	APPROVED



FRONT VIEW  
SHOWN WITH TOP/FRONT COVER REMOVED



## CAPACITOR

CAT. 65L927TL3      SER.NO.

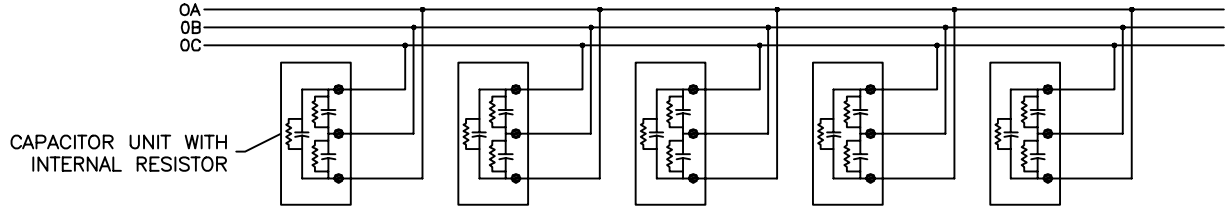
kVAR 220      60 Hz    3 Ph

VOLT. 240      CONN. DELTA

DIAG. 186C3233HM

**CAUTION** BEFORE INSTALLING OR OPERATING READ INST. 2738

CAPACITOR UNITS CONTAIN CLASS III B COMBUSTIBLE LIQUID.  
CAPACITOR UNITS INCLUDE INTERNAL DISCHARGE RESISTORS.  
NP220452      FORT EDWARD, N.Y.      MADE IN U.S.A.



CONNECTION DIAGRAM

<b>INDUSTRIAL SYSTEMS</b> <b>FORT EDWARD, N.Y., U.S.A.</b>	SIZE <b>A</b>	EST. WEIGHT: 245	<h1 style="margin: 0;">OUTLINE</h1> <h1 style="margin: 0;">65L927TL3</h1>
	SCALE	GALLONS LIQUID: 2.37	
DRAWN A.COZZENS	DATE 7/14/2003	SHEET 2	
ISSUED	DATE 7/16/2003	CONT ON —	

DISTR. TO