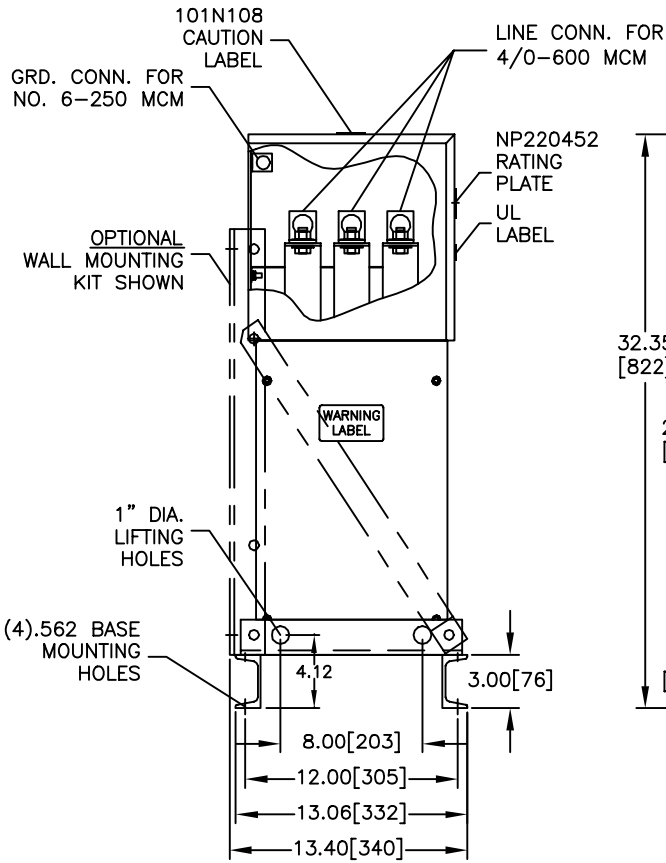
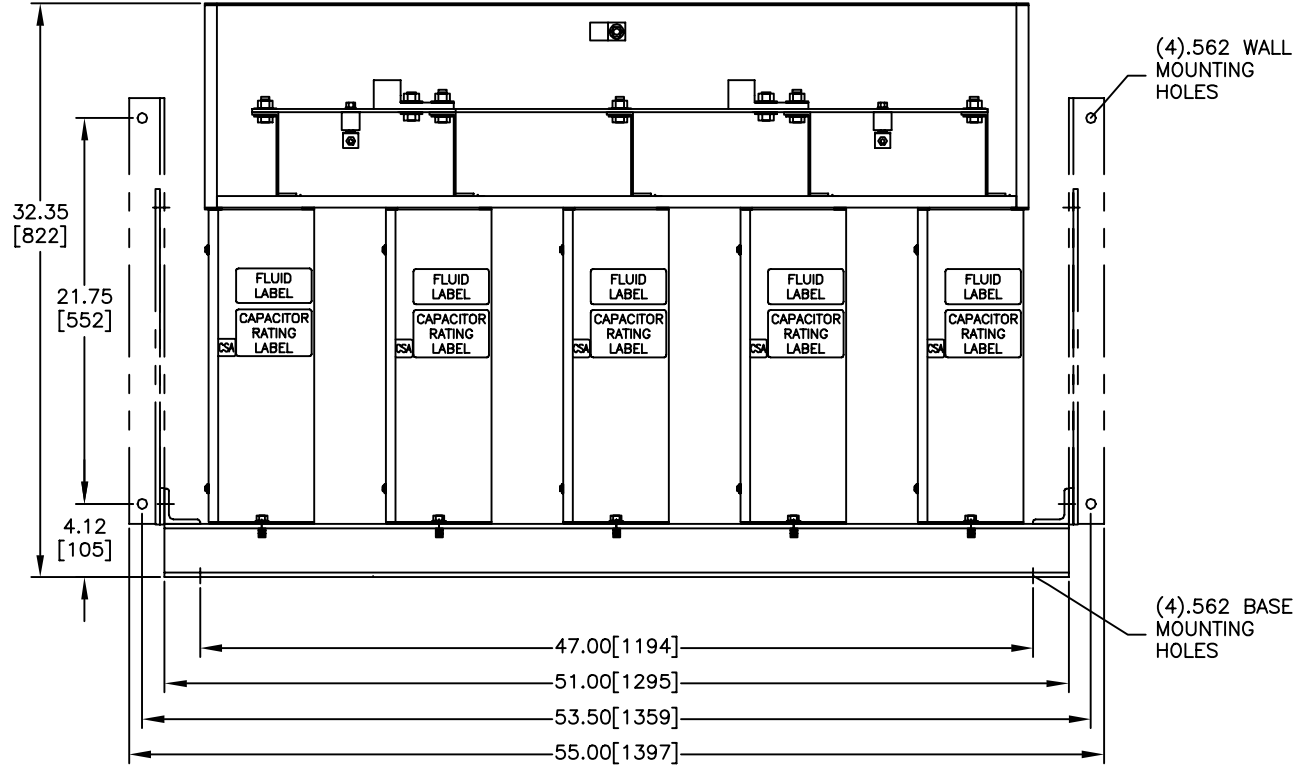


SIZE A	DWG NO 65L927TX3	SHT 2	REV
REV	DESCRIPTION	DATE	APPROVED



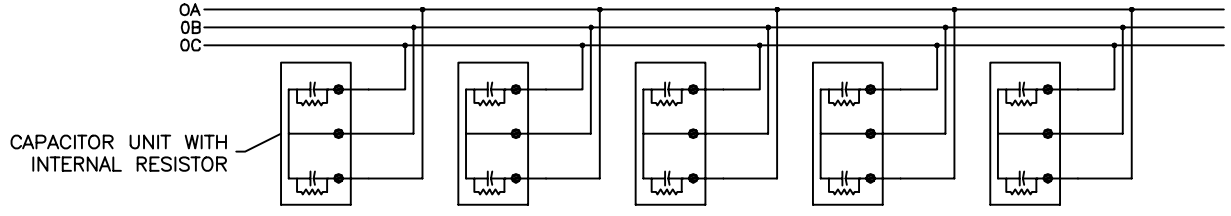
FRONT VIEW
SHOWN WITH TOP/FRONT COVER REMOVED



CAPACITOR

CAT. 65L927TX3 SER.NO.
kVAR 220 60 Hz 1 Ph
VOLT. 240 CONN. COM CTR
DIAG. 186C3233HN

CAUTION BEFORE INSTALLING OR OPERATING READ INST. 2738
CAPACITOR UNITS CONTAIN CLASS III B COMBUSTIBLE LIQUID.
CAPACITOR UNITS INCLUDE INTERNAL DISCHARGE RESISTORS.
NP220452 FORT EDWARD, N.Y. MADE IN U.S.A.



CONNECTION DIAGRAM

INDUSTRIAL SYSTEMS FORT EDWARD, N.Y., U.S.A.	SIZE A	EST. WEIGHT: 244	<h1 style="margin: 0;">OUTLINE</h1> <h2 style="margin: 0;">65L927TX3</h2>
	SCALE	GALLONS LIQUID: 2.37	
DRAWN B.Ross	DATE 8/8/2003		SHEET 2
ISSUED	DATE 8/13/2003		CONT ON -

DISTR. TO