

4

3

2

SIZE C

DWG NO.

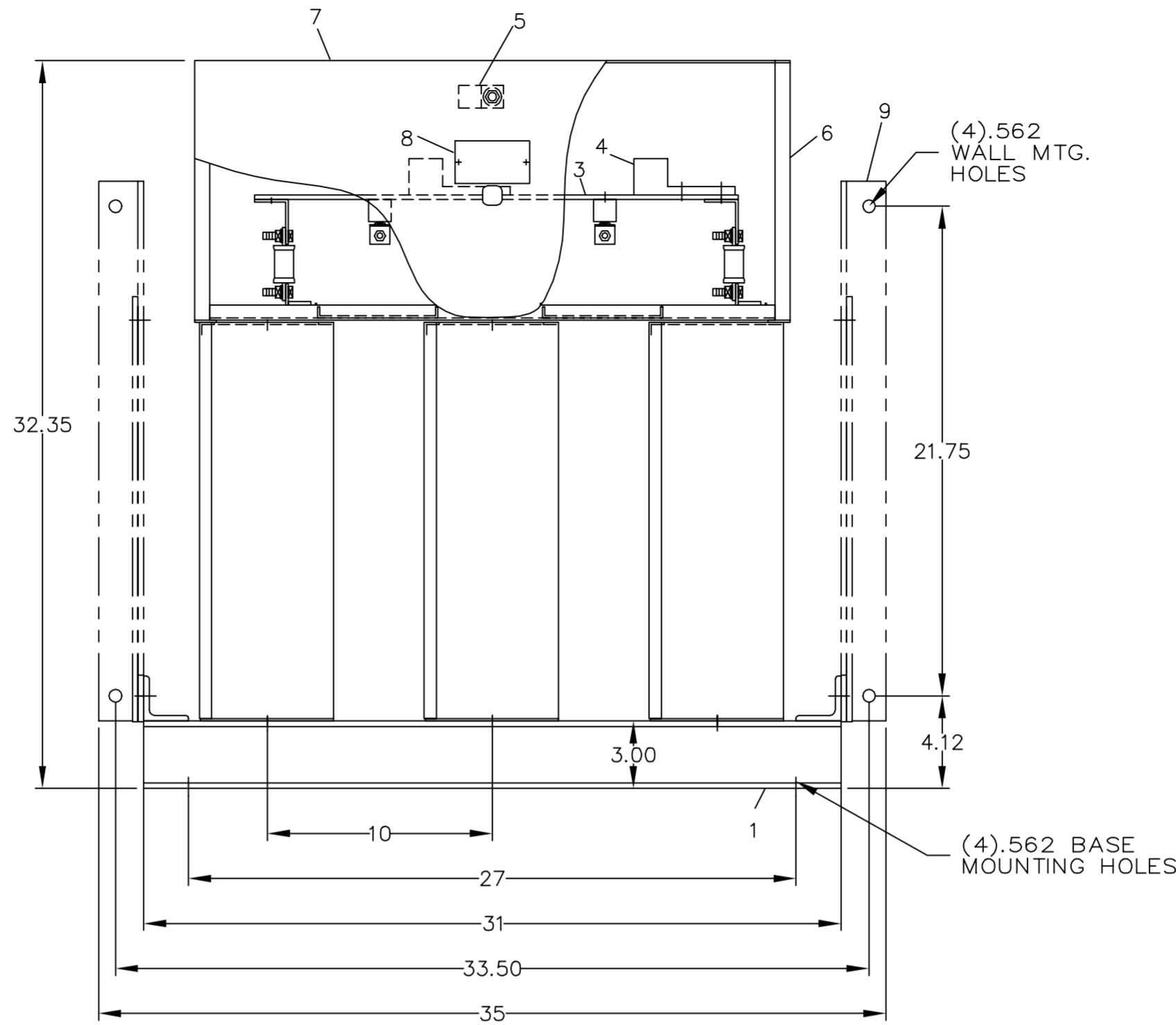
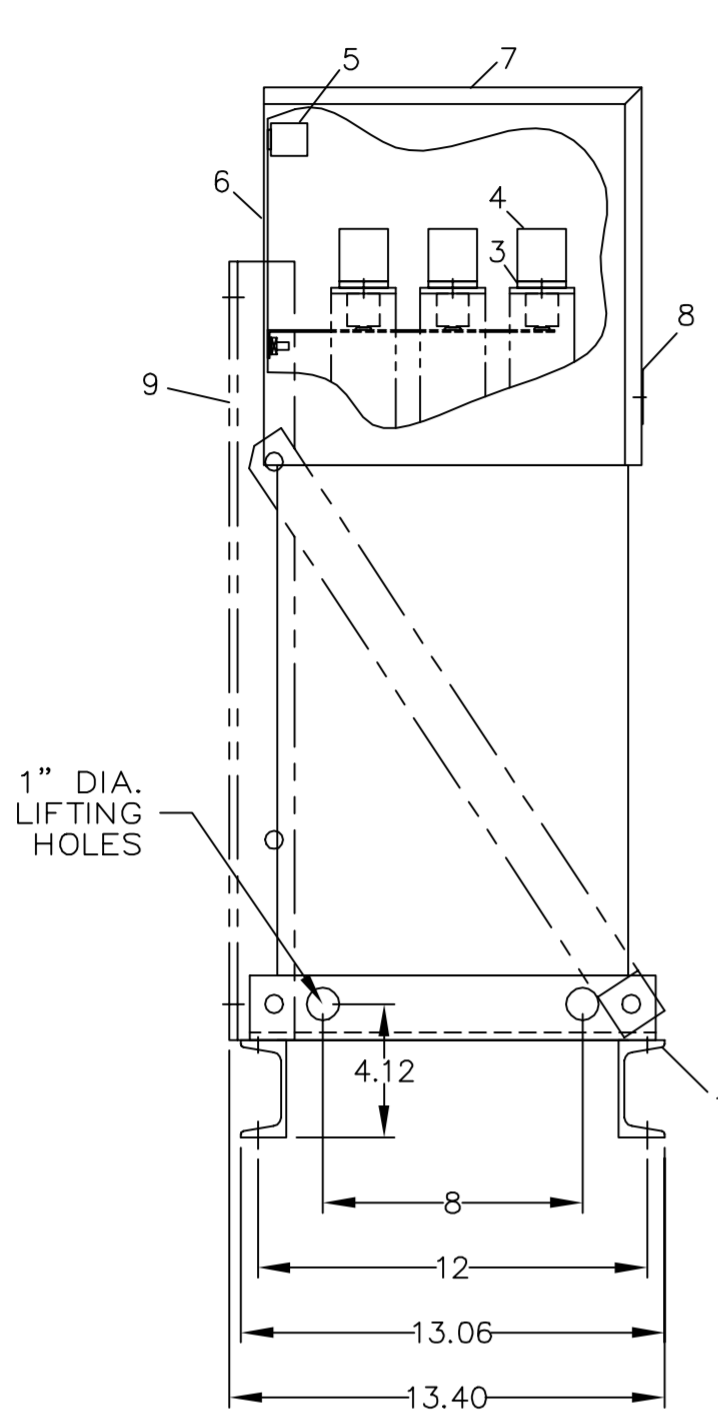
65L928TS2

SHT 1

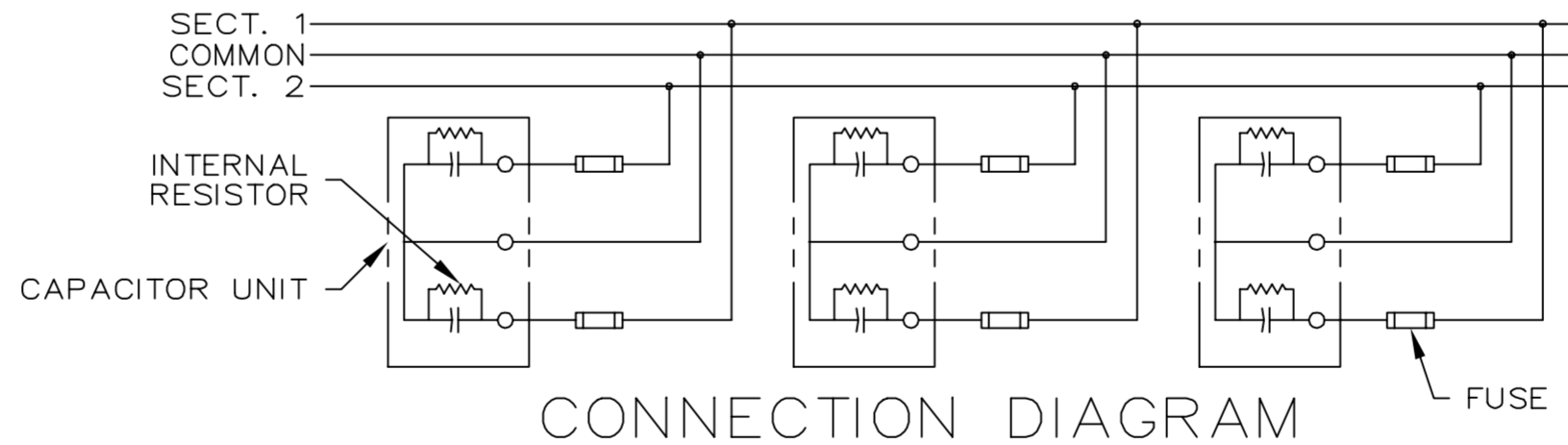
REV 1

1

REVISIONS			
REV	DESCRIPTION	DATE	APPROVED
1	UPDATE TO AUTOCAD		EJM



- NOMENCLATURE**
1. ALUMINUM BASE FRAME
  2. CAPACITOR UNIT
  3. COPPER BUS BARS
  4. LINE TERMINAL - #4/0 TO 600 MCM
  5. GROUND TERMINAL - #6AWG TO 250 MCM
  6. BUS ENCLOSURE
  7. ACCESS COVER
  8. RATING NAMEPLATE
  9. OPTIONAL FIELD ASSEMBLED WALL MTG. FRAME



CONNECTION DIAGRAM

CAT 65L928TS2 SERNO  
 KVAR 230 60Hz 1ph  
 VOLT 480 DIAG 186C3233FK  
 CONN COM CTR  
 Read instructions: GEH-2728

SIGNATURES	DATE
DRAWN E.McGINN	9/28/93
CHECKED	
ENGR	
ISSUED	9/30/95
CAD SYS. NO.	
AUTOCAD	

**INDUSTRIAL SYSTEMS**  
 FORT EDWARD, N.Y., U.S.A.

OUTLINE  
 65L928TS2

FIRST MADE FOR:

SIZE C	FSCM NO.	DWG NO. 65L928TS2	REV 1
SCALE	SHEET 1	CONT ON SHT -	DISTR TO

413