

4

3

2

C

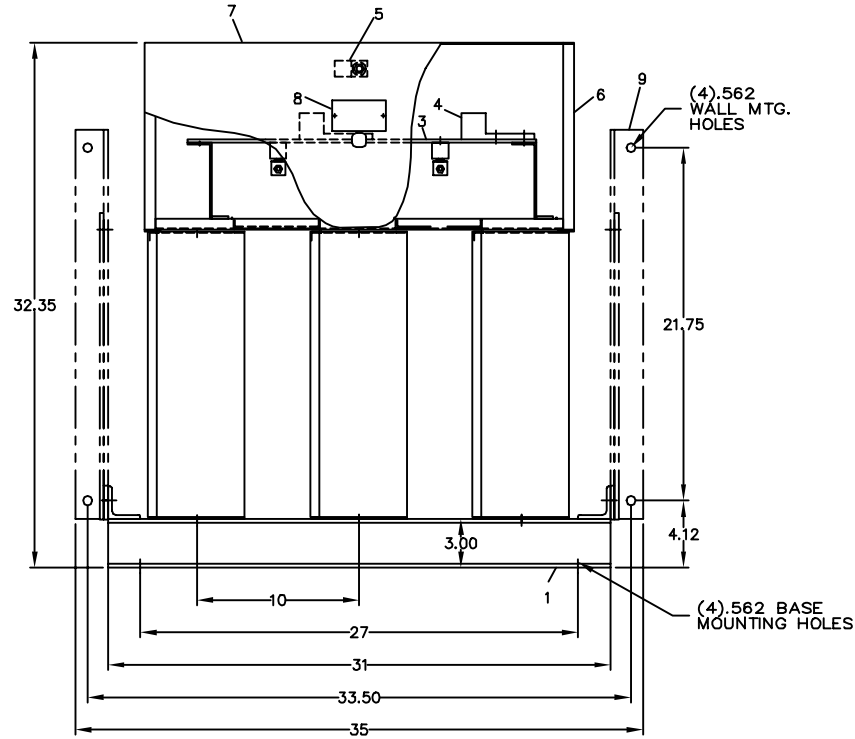
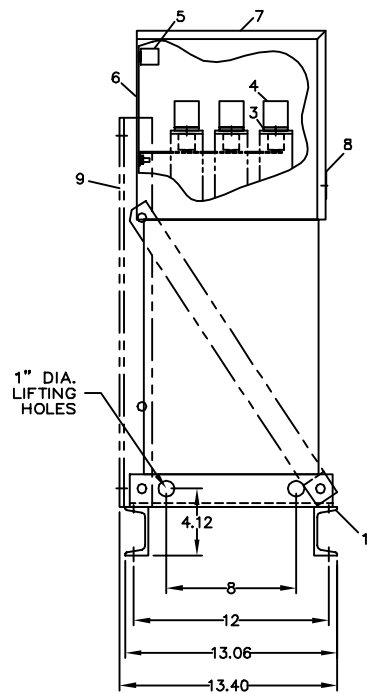
65L929TA2

1

REV

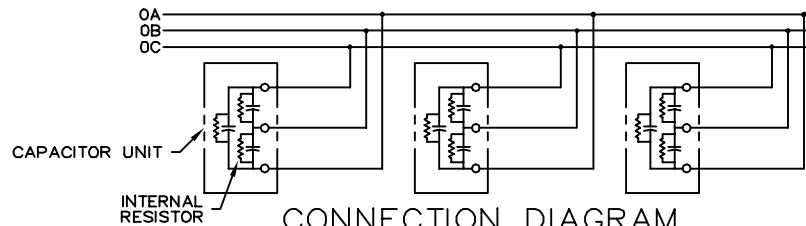
1

REVISIONS			
REV	DESCRIPTION	DATE	APPROVED



NOMENCLATURE

1. ALUMINUM BASE FRAME
2. CAPACITOR UNIT
3. COPPER BUS BARS
4. LINE TERMINAL - #4/0 TO 600 MCM
5. GROUND TERMINAL - #6AWG TO 250 MCM
6. BUS ENCLOSURE
7. ACCESS COVER
8. RATING NAMEPLATE
9. OPTIONAL FIELD ASSEMBLED WALL MTG. FRAME



CONNECTION DIAGRAM

CAT 65L928TA2 SERND
 KVAR 240 60Hz 3ph
 VOLT 480 DIAG 186C3233FM
 CONN DELTA

Read instructions: GEH-2728

SIGNATURES		DATE		INDUSTRIAL SYSTEMS FORT EDWARD, N.Y., U.S.A.		
DRAWN B. ROSS		3/7/03				
CHECKED						
ENGR						
ISSUED						
FIRST MADE FOR: OUTLINE 65L929TA2				DISTR TO 413		
CAD SYS. NO.		SIZE C	FSCM NO.		DWG. NO. 65L929TA2	REV
AUTOCAD		SCALE			SHEET 1	CONT ON SHT -

4

3

2

1