

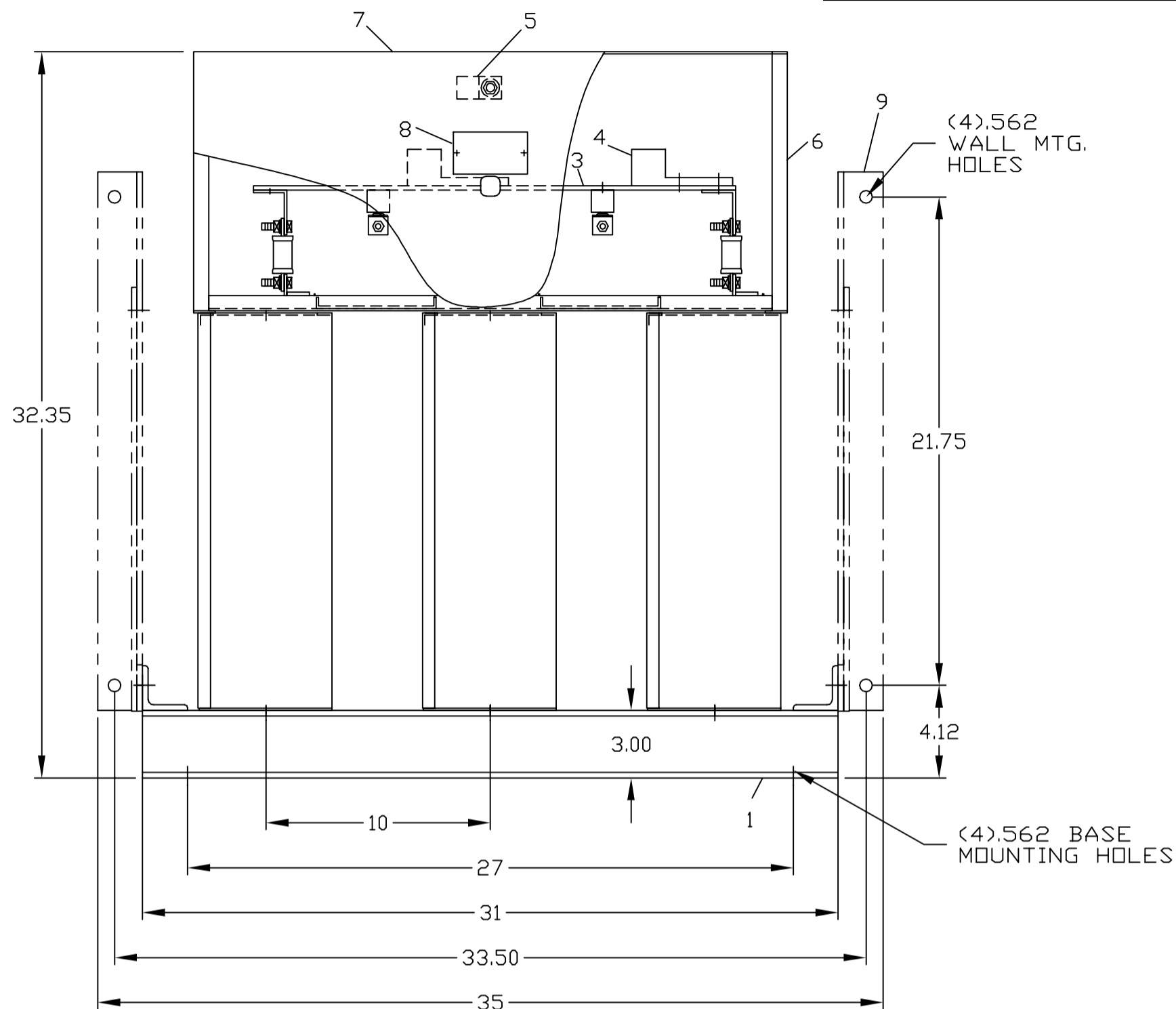
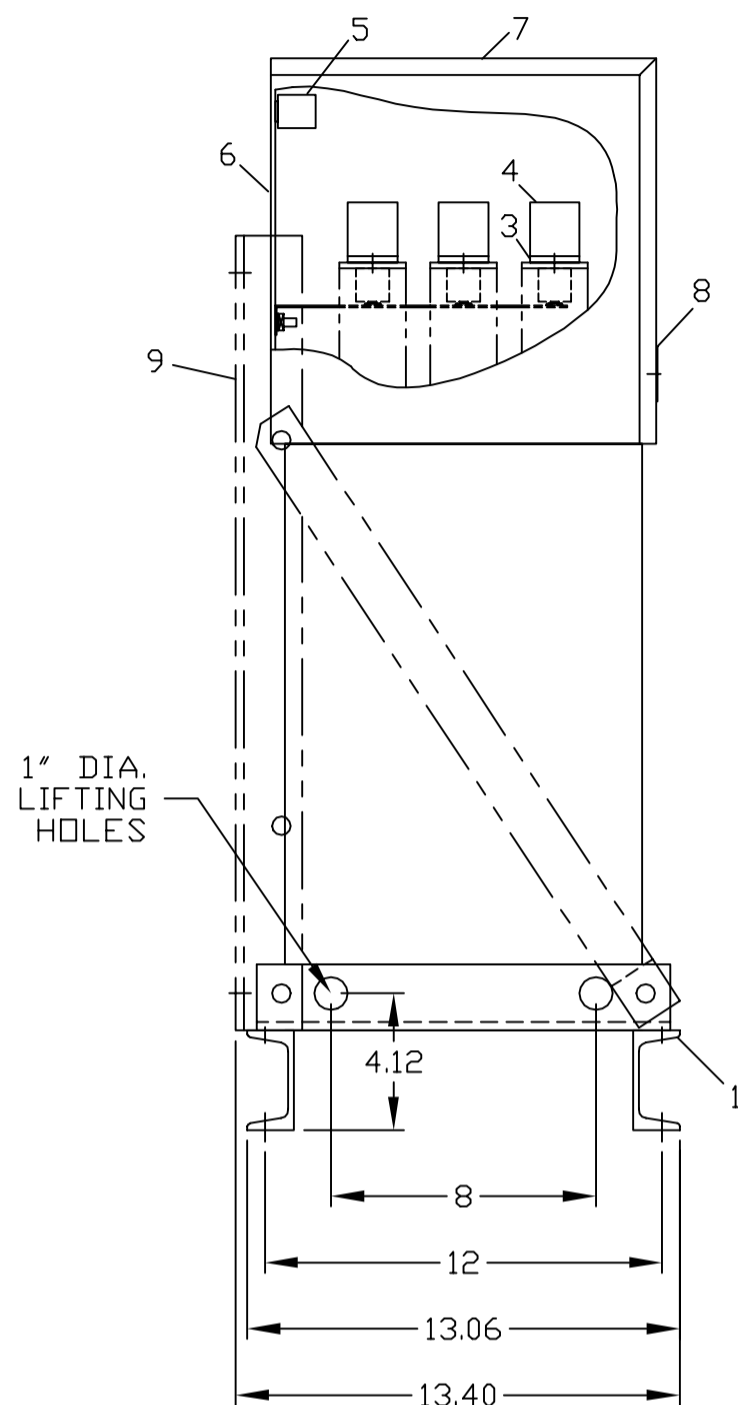
4

3

2

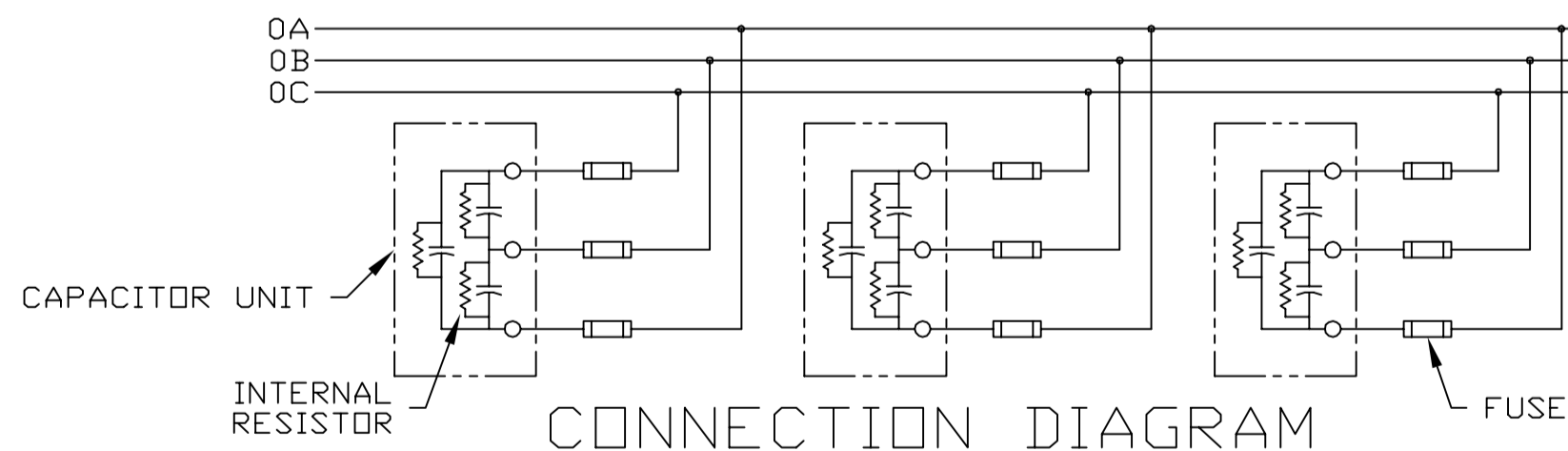
| | | | | | |
|------|-----------|-----|-----|---|---|
| SIZE | DWG NO. | SHT | REV | 1 | 1 |
| C | 65L929TC2 | | | | |

| REVISIONS | | | |
|-----------|-------------------|------|----------|
| REV | DESCRIPTION | DATE | APPROVED |
| 1 | UPDATE TO AUTOCAD | | KS |



NOMENCLATURE

- 1. ALUMINUM BASE FRAME
- 2. CAPACITOR UNIT
- 3. COPPER BUS BARS
- 4. LINE TERMINAL - #4/0 TO 600 MCM
- 5. GROUND TERMINAL - #6AWG TO 250 MCM
- 6. BUS ENCLOSURE
- 7. ACCESS COVER
- 8. RATING NAMEPLATE
- 9. OPTIONAL FIELD ASSEMBLED WALL MTG. FRAME



| | | | |
|-----------------------------|-----------|-------|------------|
| CAT | 65L929TC2 | SERNO | |
| KVAR | 240 | 60Hz | 3ph |
| VOLT | 480 | DIAG | 186C3233FD |
| | | CONN | DELTA |
| Read instructions: GEH-2728 | | | |

| | | |
|----------------|--|---------|
| SIGNATURES | | DATE |
| DRAWN E.McGINN | | 9/28/92 |
| CHECKED | | |
| ENGR | | |
| ISSUED | | 9/30/93 |
| CAD SYS. NO. | | |
| AUTOCAD | | |

INDUSTRIAL SYSTEMS
FORT EDWARD, N.Y., U.S.A.

OUTLINE
65L929TC2

FIRST MADE FOR:

| | | | |
|-------|----------|-------------|-----|
| SIZE | FSCM NO. | DWG NO. | REV |
| C | | 65L929TC2 | 1 |
| SCALE | SHEET | CONT ON SHT | |

413

DISTR TO

4

3

2

1