

4

3

2

C

SIZE DWG NO.

65L929TF2

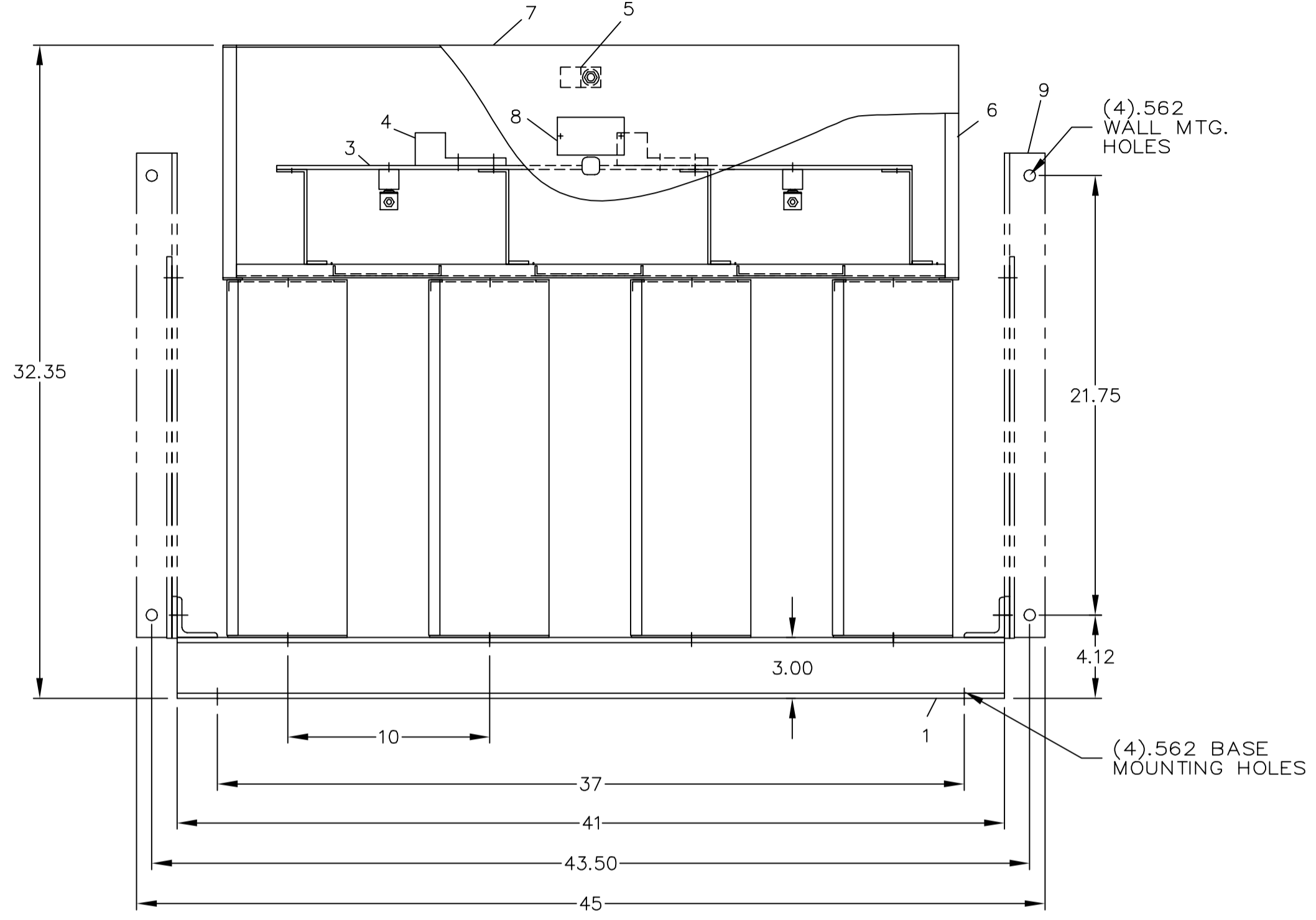
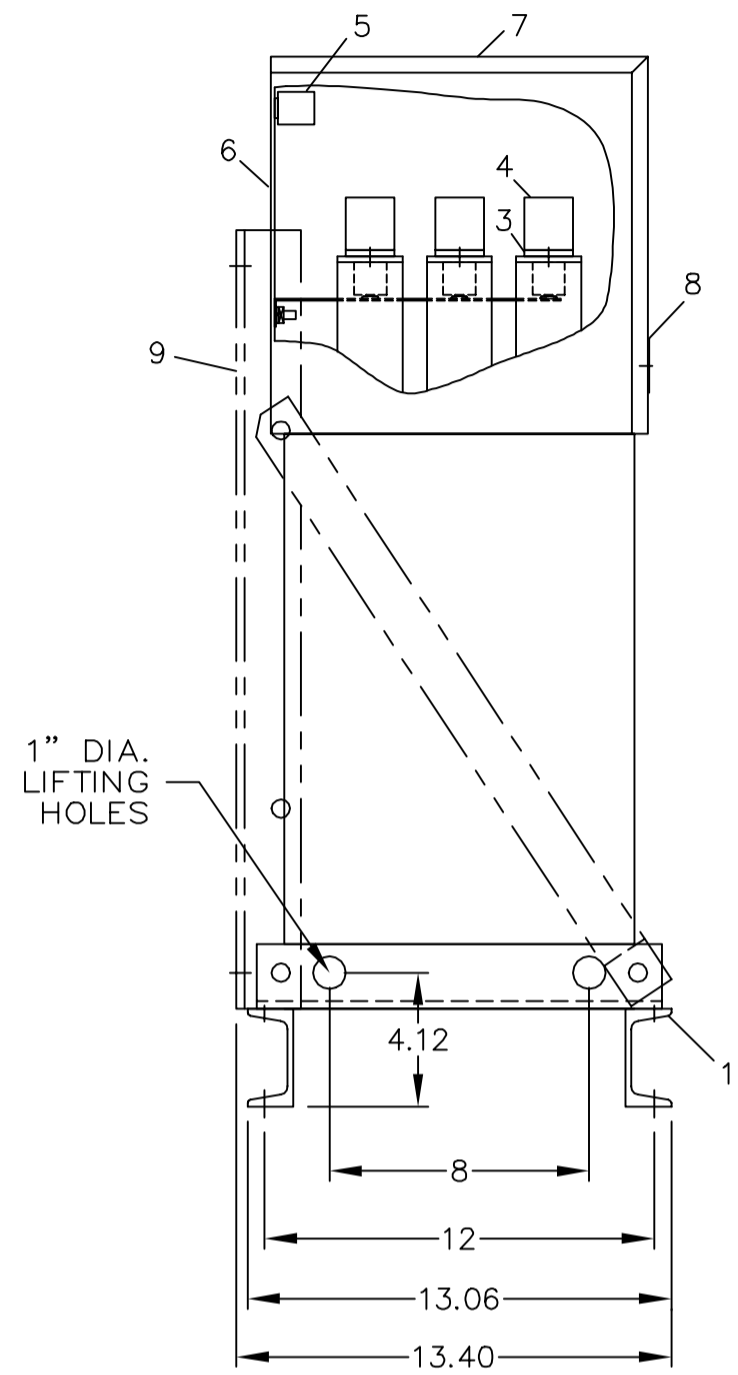
SHT 1

REV 1

1

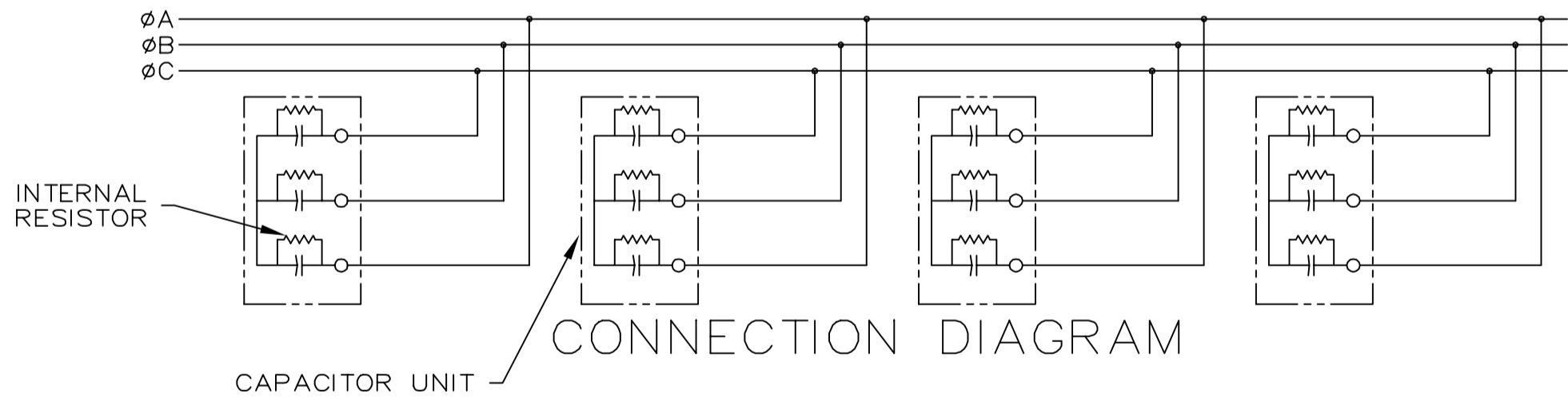
REVISIONS

REV	DESCRIPTION	DATE	APPROVED
1	UPDATE TO AUTOCAD		FWL



NOMENCLATURE

- 1. ALUMINUM BASE FRAME
- 2. CAPACITOR UNIT
- 3. COPPER BUS BARS
- 4. LINE TERMINAL - #4/0 TO 600 MCM
- 5. GROUND TERMINAL - #6AWG TO 250 MCM
- 6. BUS ENCLOSURE
- 7. ACCESS COVER
- 8. RATING NAMEPLATE
- 9. OPTIONAL FIELD ASSEMBLED WALL MTG. FRAME



CONNECTION DIAGRAM

CAT 65L929TF2 SERNO
 KVAR 240 60Hz 3ph
 VOLT 600 DIAG 186C3233GL
 CONN Y-C0NN
 Read instructions: GEH-2728

SIGNATURES	DATE
DRAWN E.McGINN	9/30/00
CHECKED	
ENGR	
ISSUED	9/30/00
CAD SYS. NO.	
AUTOCAD	



INDUSTRIAL SYSTEMS
FORT EDWARD, N.Y., U.S.A.

OUTLINE
65L929TF2

FIRST MADE FOR:

SIZE C	FSCM NO.	DWG NO. 65L929TF2	REV 1
SCALE	SHEET 1	CONT ON SHT -	DISTR TO

413

4

3

2

1