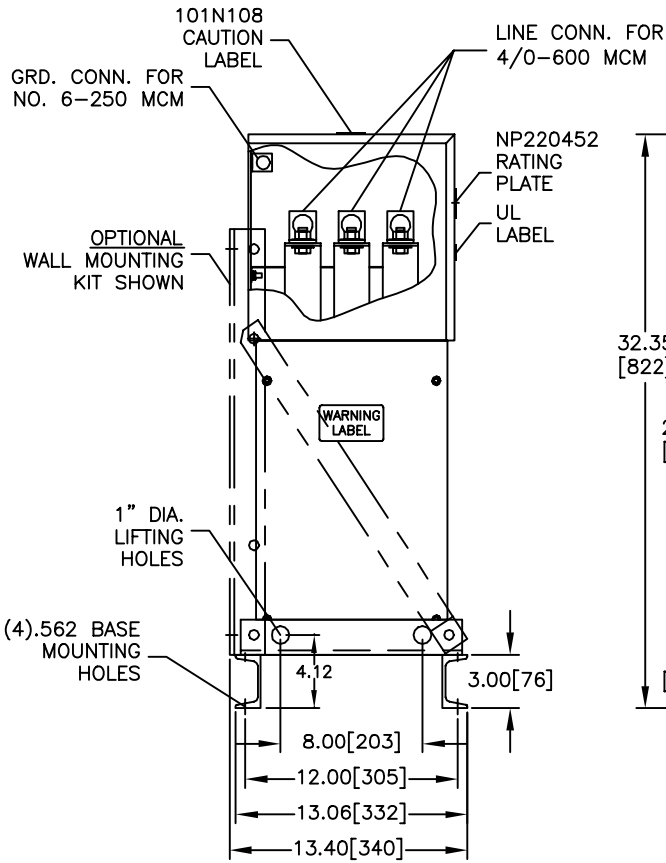
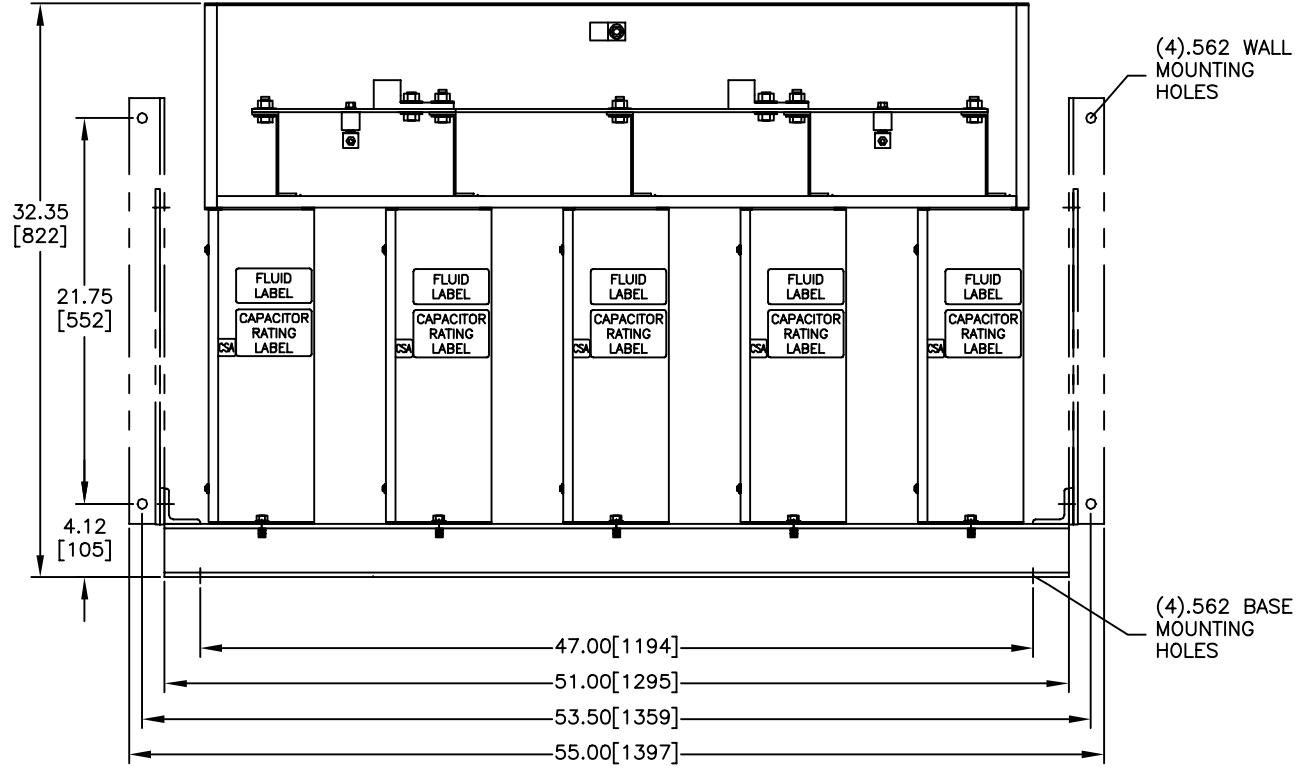


| | | | |
|-----------|---------------------|----------|----------|
| SIZE A | DWG NO 65L929TX3 | SHT 2 | REV |
| REV | DESCRIPTION | DATE | APPROVED |



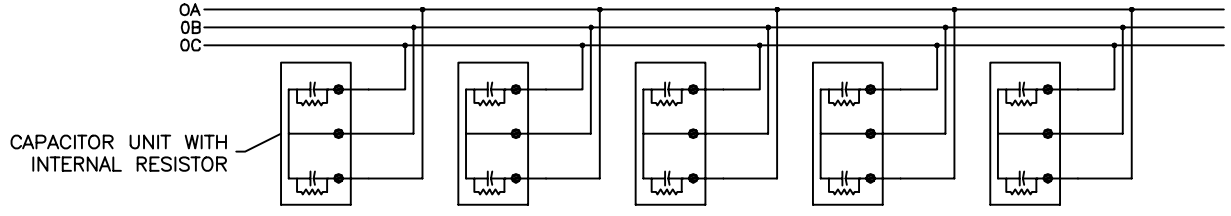
FRONT VIEW
SHOWN WITH TOP/FRONT COVER REMOVED



CAPACITOR

CAT. 65L929TX3 SER.NO.
 KVAR 240 60 Hz 1 Ph
 VOLT. 240 CONN. COM CTR
 DIAG. 186C3233HN

CAUTION BEFORE INSTALLING OR OPERATING READ INST. 2738
 CAPACITOR UNITS CONTAIN CLASS III B COMBUSTIBLE LIQUID.
 CAPACITOR UNITS INCLUDE INTERNAL DISCHARGE RESISTORS.
 NP220452 FORT EDWARD, N.Y. MADE IN U.S.A.



CONNECTION DIAGRAM

| | | | |
|--|-------------------|-------------------------|---|
| INDUSTRIAL SYSTEMS FORT EDWARD, N.Y., U.S.A. | SIZE A | EST. WEIGHT: 245 | <h1 style="margin: 0;">OUTLINE</h1> <h2 style="margin: 0;">65L929TX3</h2> |
| | SCALE | GALLONS LIQUID: 2.09 | |
| DRAWN B.Ross | DATE 8/8/2003 | SHEET 2 CONT ON — | |
| ISSUED | DATE 8/13/2003 | | |

DISTR. TO