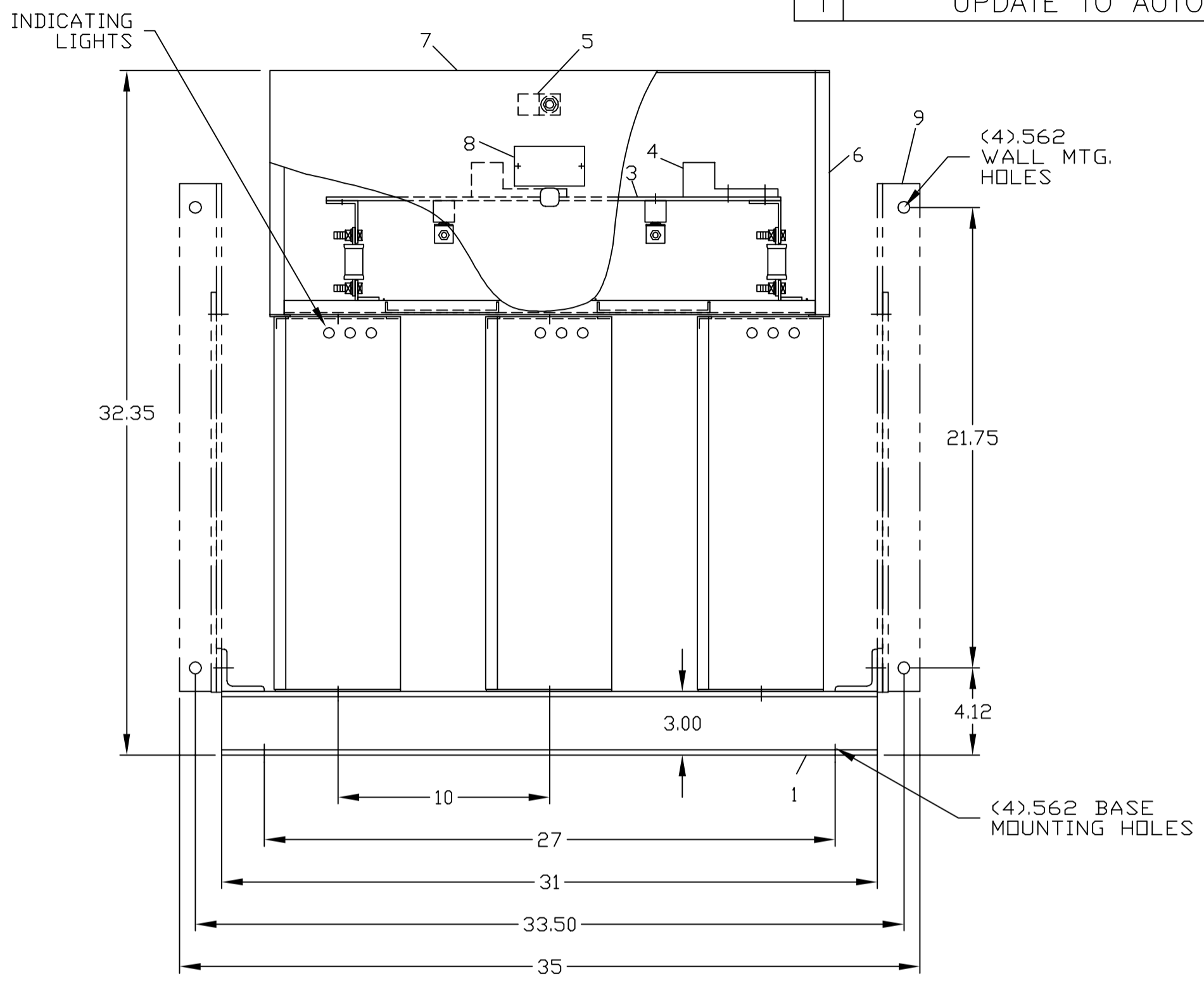
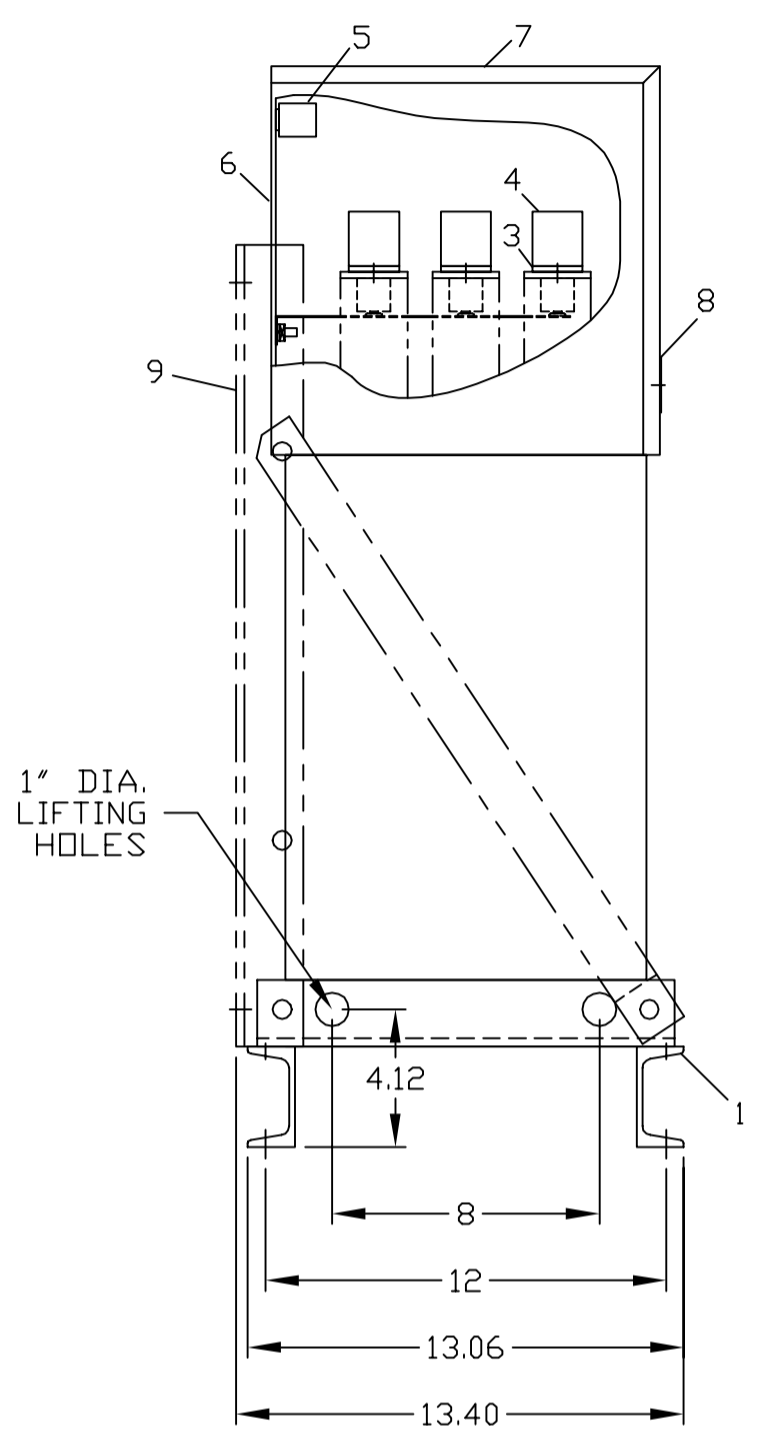
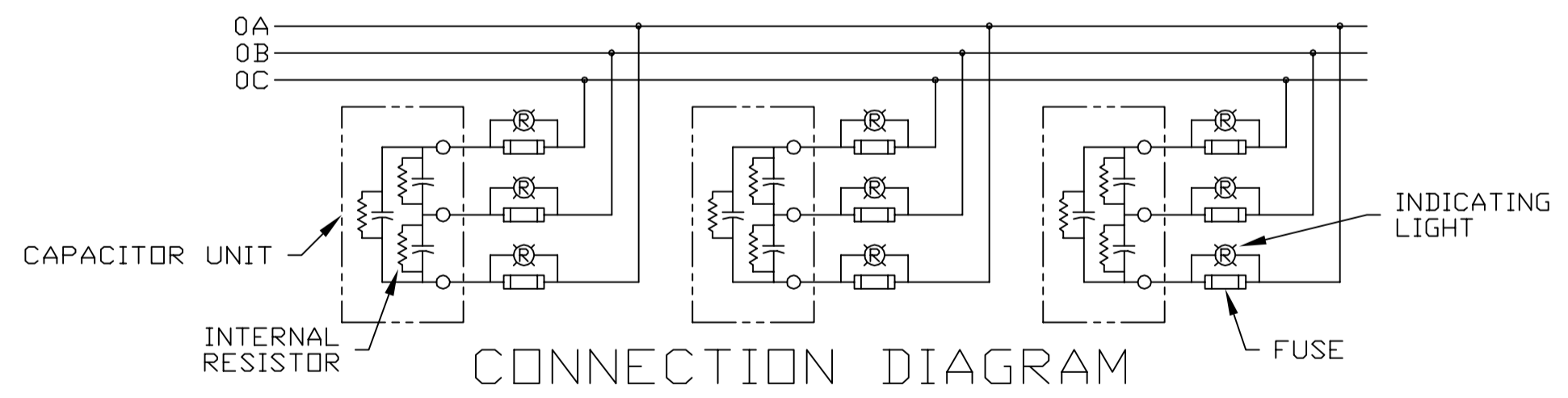


| REVISIONS |                   |      |          |
|-----------|-------------------|------|----------|
| REV       | DESCRIPTION       | DATE | APPROVED |
| 1         | UPDATE TO AUTOCAD |      | KS       |



NOMENCLATURE

1. ALUMINUM BASE FRAME
2. CAPACITOR UNIT
3. COPPER BUS BARS
4. LINE TERMINAL - #4/0 TO 600 MCM
5. GROUND TERMINAL - #6AWG TO 250 MCM
6. BUS ENCLOSURE
7. ACCESS COVER
8. RATING NAMEPLATE
9. OPTIONAL FIELD ASSEMBLED WALL MTG. FRAME



|      |           |       |            |
|------|-----------|-------|------------|
| CAT  | 65L930TE2 | SERNO |            |
| KVAR | 250       | 60Hz  | 3ph        |
| VOLT | 480       | DIAG  | 186C3233FB |
|      |           | CONN  | DELTA      |

Read instructions: GEH-2728

|                |  |         |
|----------------|--|---------|
| SIGNATURES     |  | DATE    |
| DRAWN E.McGINN |  | 9/28/92 |
| CHECKED        |  |         |
| ENGR           |  |         |
| ISSUED         |  | 9/30/93 |
| CAD SYS. NO.   |  |         |
| AUTOCAD        |  |         |

INDUSTRIAL SYSTEMS  
FORT EDWARD, N.Y., U.S.A.

OUTLINE  
65L930TE2

FIRST MADE FOR:

|       |          |             |          |
|-------|----------|-------------|----------|
| SIZE  | FSCM NO. | DWG NO.     | REV      |
| C     |          | 65L930TE2   | 1        |
| SCALE | SHEET    | CONT ON SHT | DISTR TO |

413