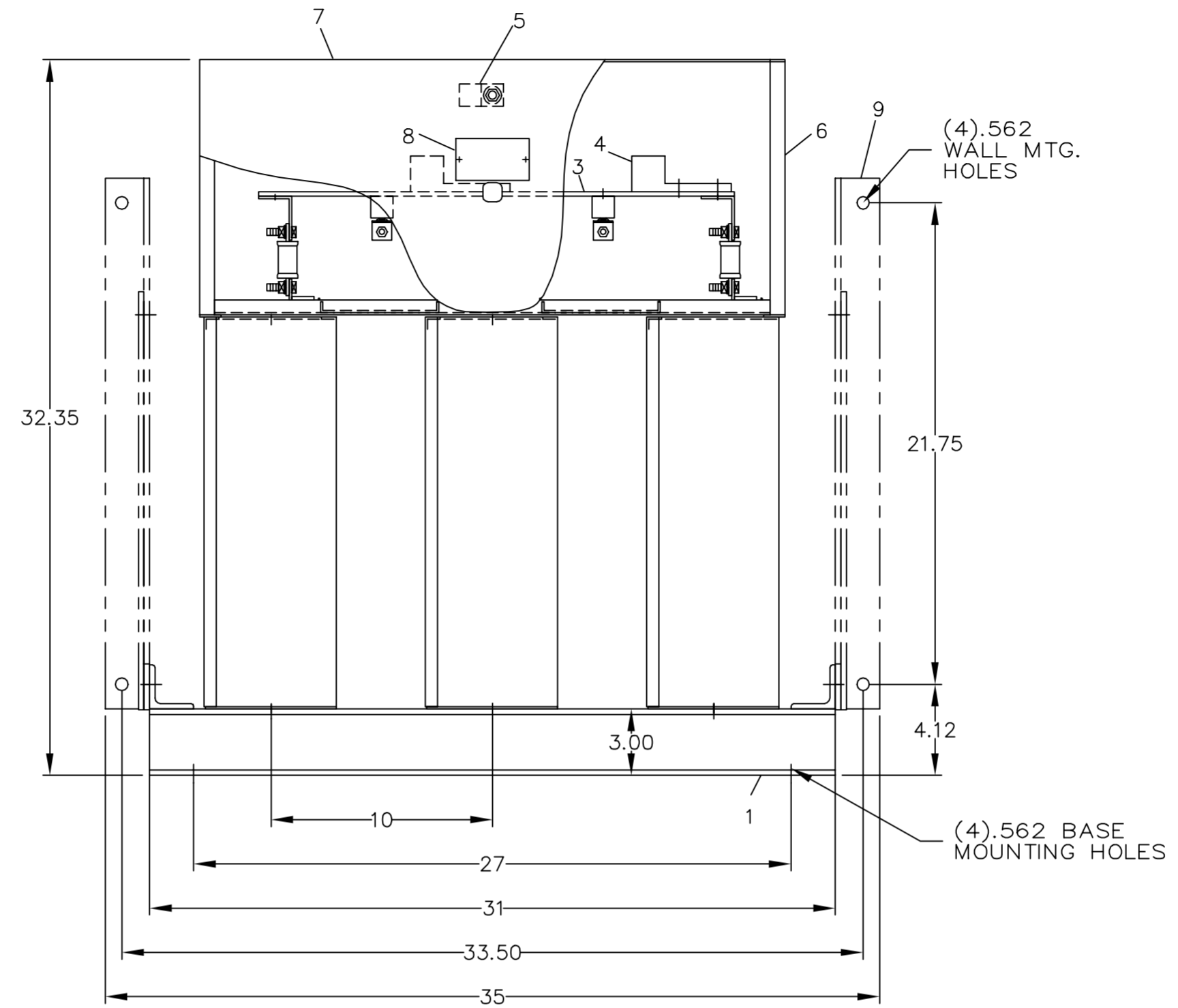
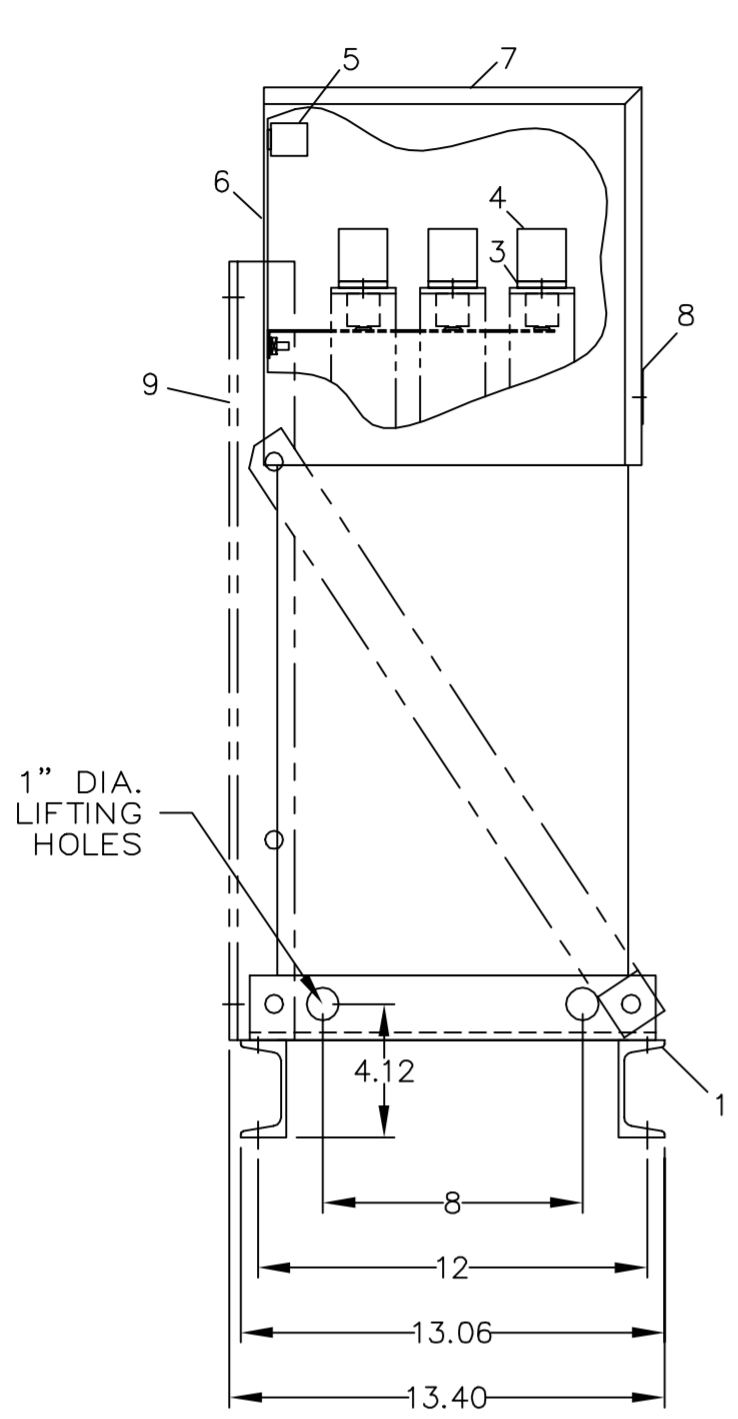
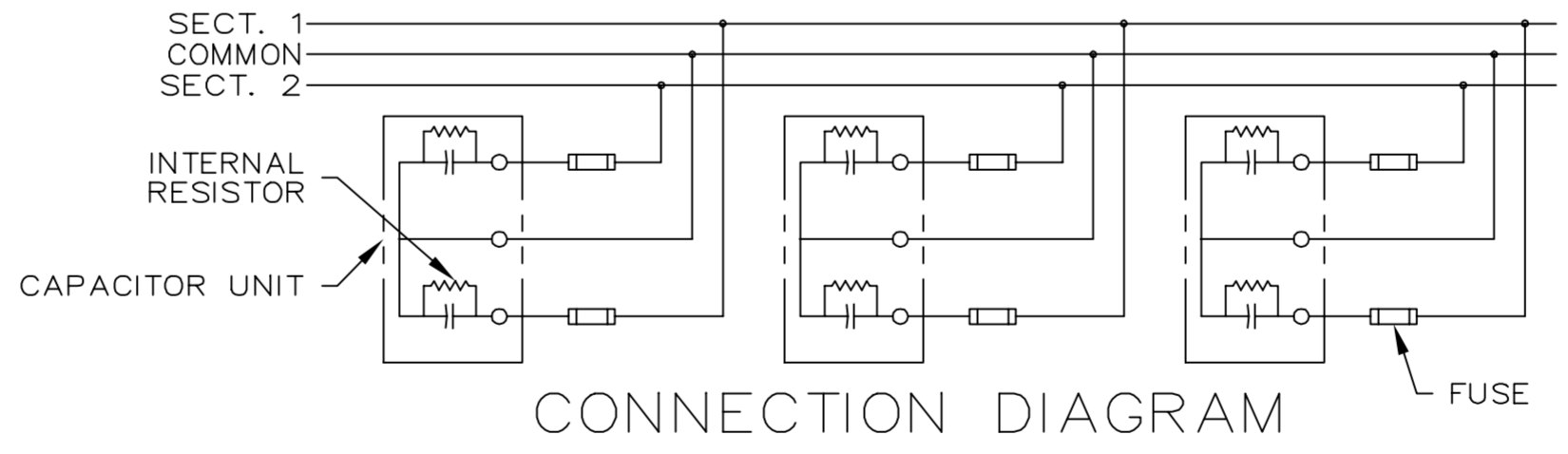


REVISIONS			
REV	DESCRIPTION	DATE	APPROVED
1	UPDATE TO AUTOCAD		EJM



- NOMENCLATURE
1. ALUMINUM BASE FRAME
  2. CAPACITOR UNIT
  3. COPPER BUS BARS
  4. LINE TERMINAL - #4/0 TO 600 MCM
  5. GROUND TERMINAL - #6AWG TO 250 MCM
  6. BUS ENCLOSURE
  7. ACCESS COVER
  8. RATING NAMEPLATE
  9. OPTIONAL FIELD ASSEMBLED WALL MTG. FRAME



CAT 65L930TS2 SERNO  
 KVAR 250 60Hz 1ph  
 VOLT 480 DIAG 186C3233FK  
 CONN COM CTR  
 Read instructions: GEH-2728

SIGNATURES		DATE
DRAWN E.McGINN		9/28/93
CHECKED		
ENGR		
ISSUED		9/30/95
CAD SYS. NO.		
AUTOCAD		

INDUSTRIAL SYSTEMS  
 FORT EDWARD, N.Y., U.S.A.

OUTLINE  
 65L930TS2

FIRST MADE FOR:

SIZE C	FSCM NO.	DWG NO. 65L930TS2	REV 1
SCALE	SHEET 1		CONT ON SHT -

DISTR TO 413