

4

3

2

C

SIZE DWG NO.

65L931TE2

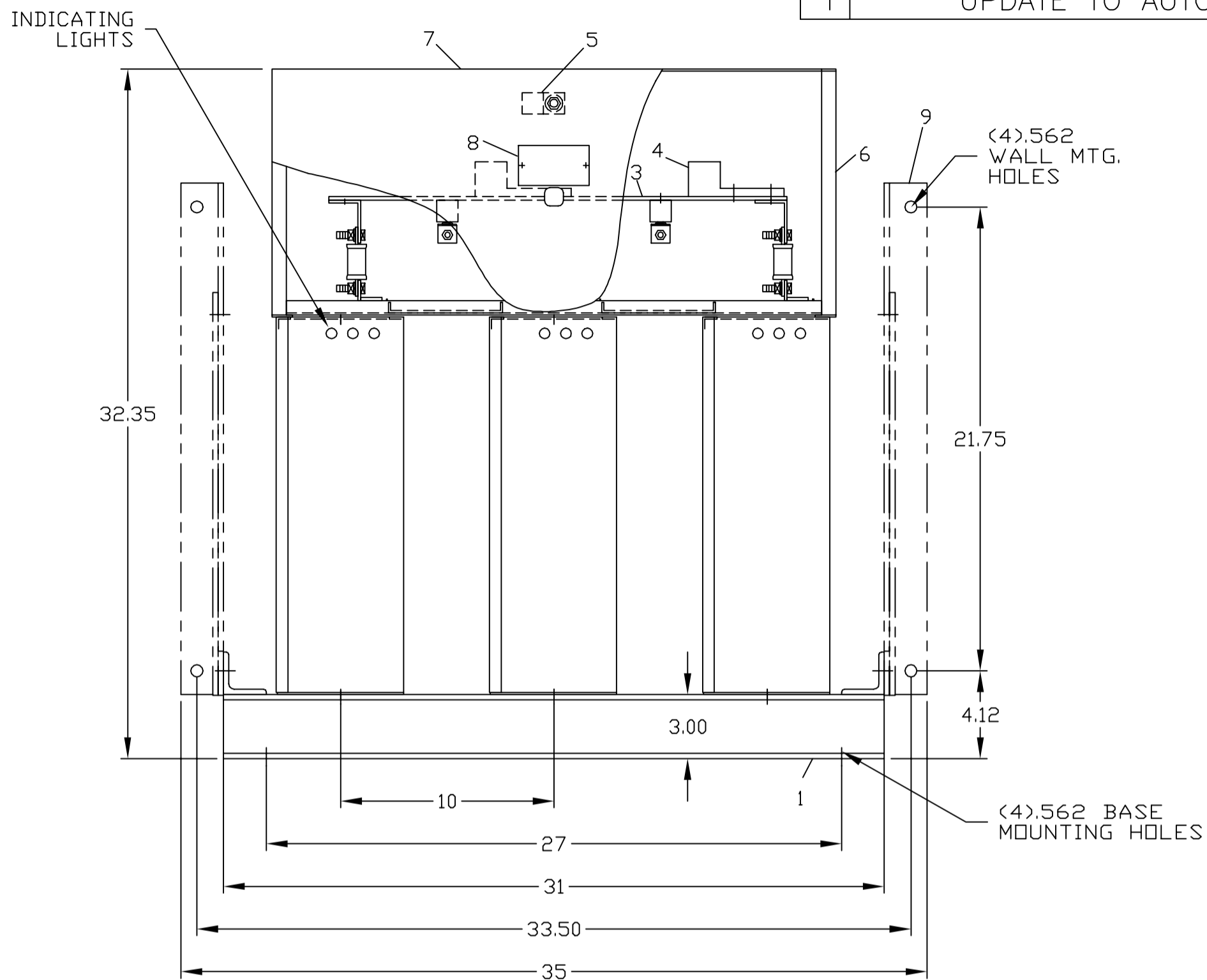
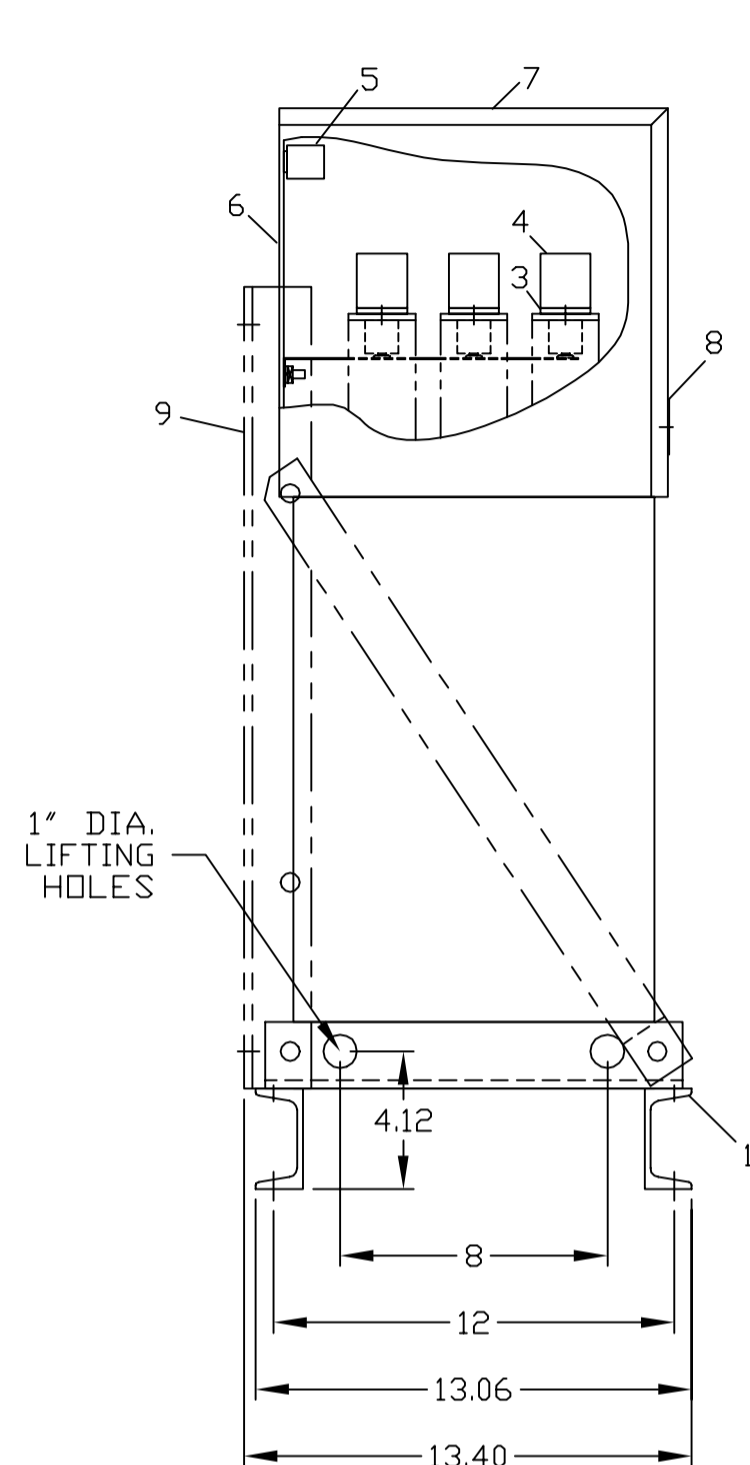
SHT

REV NO.

1

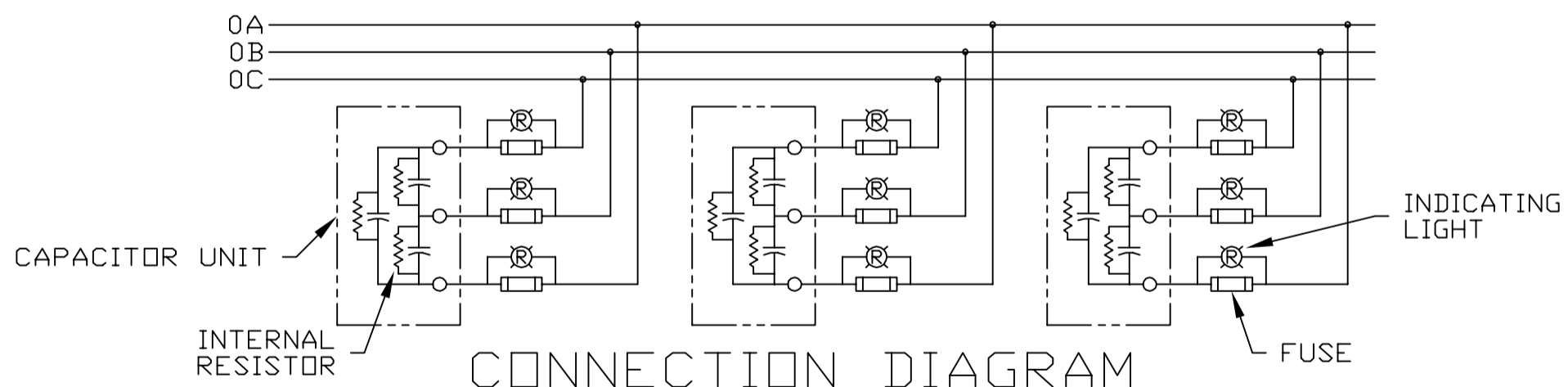
1

REVISIONS			
REV	DESCRIPTION	DATE	APPROVED
1	UPDATE TO AUTOCAD		KS



NOMENCLATURE

1. ALUMINUM BASE FRAME
2. CAPACITOR UNIT
3. COPPER BUS BARS
4. LINE TERMINAL - #4/0 TO 600 MCM
5. GROUND TERMINAL - #6AWG TO 250 MCM
6. BUS ENCLOSURE
7. ACCESS COVER
8. RATING NAMEPLATE
9. OPTIONAL FIELD ASSEMBLED WALL MTG. FRAME



CAT 65L931TE2 SERNO
 KVAR 260 60Hz 3ph
 VOLT 480 DIAG 186C3233FB
 CONN DELTA

Read instructions: GEH-2728

SIGNATURES	DATE
DRAWN E.McGINN	9/28/92
CHECKED	
ENGR	
ISSUED	9/30/93
CAD SYS. NO.	
AUTOCAD	



INDUSTRIAL SYSTEMS
FORT EDWARD, N.Y., U.S.A.

OUTLINE
65L931TE2

FIRST MADE FOR:

SIZE	FSCM NO.	DWG NO.	REV
C		65L931TE2	1
SCALE		SHEET	CONT ON SHT

413

DISTR TO

4

3

2

1