

4

3

2

SIZE C

DWG NO.

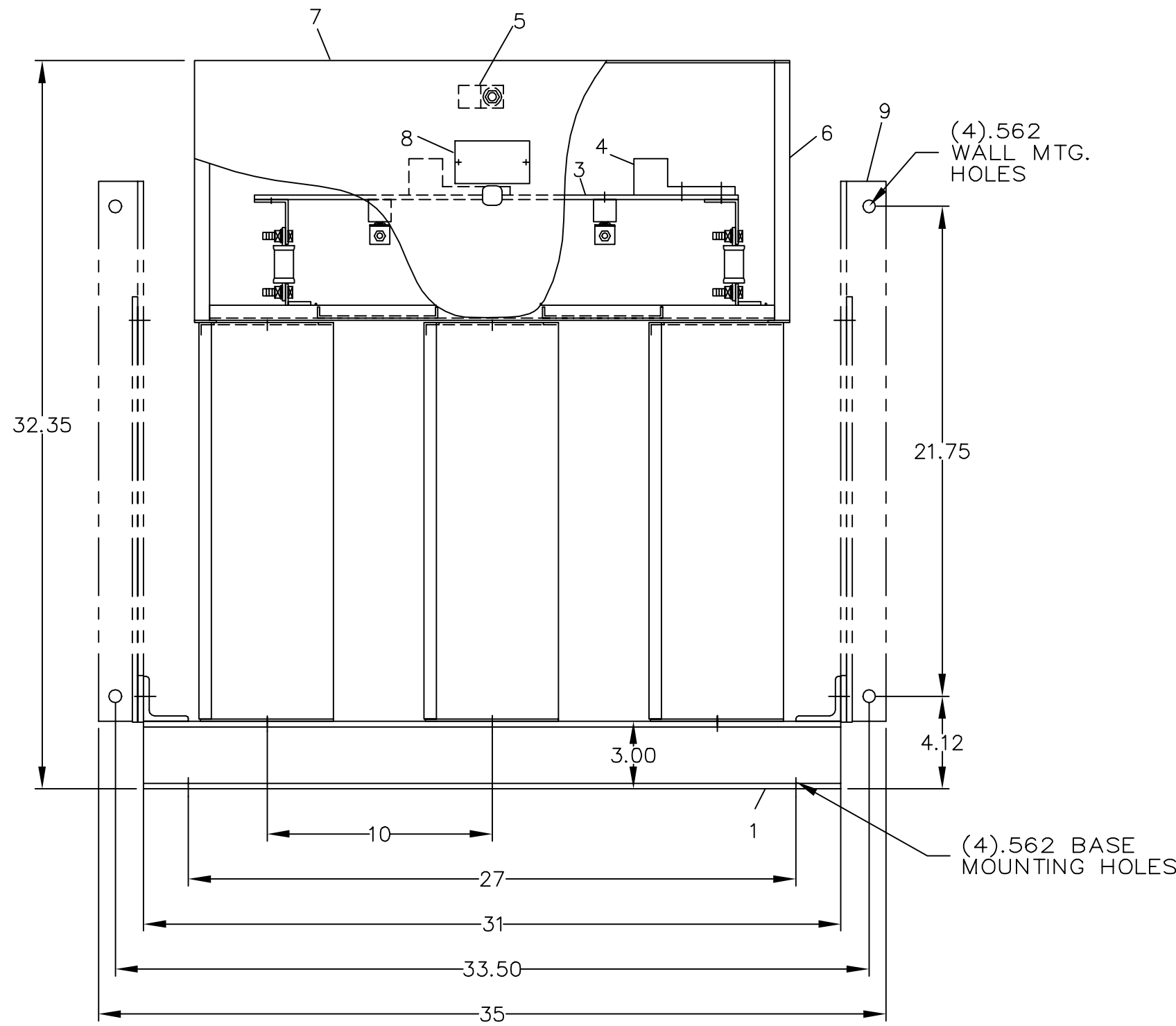
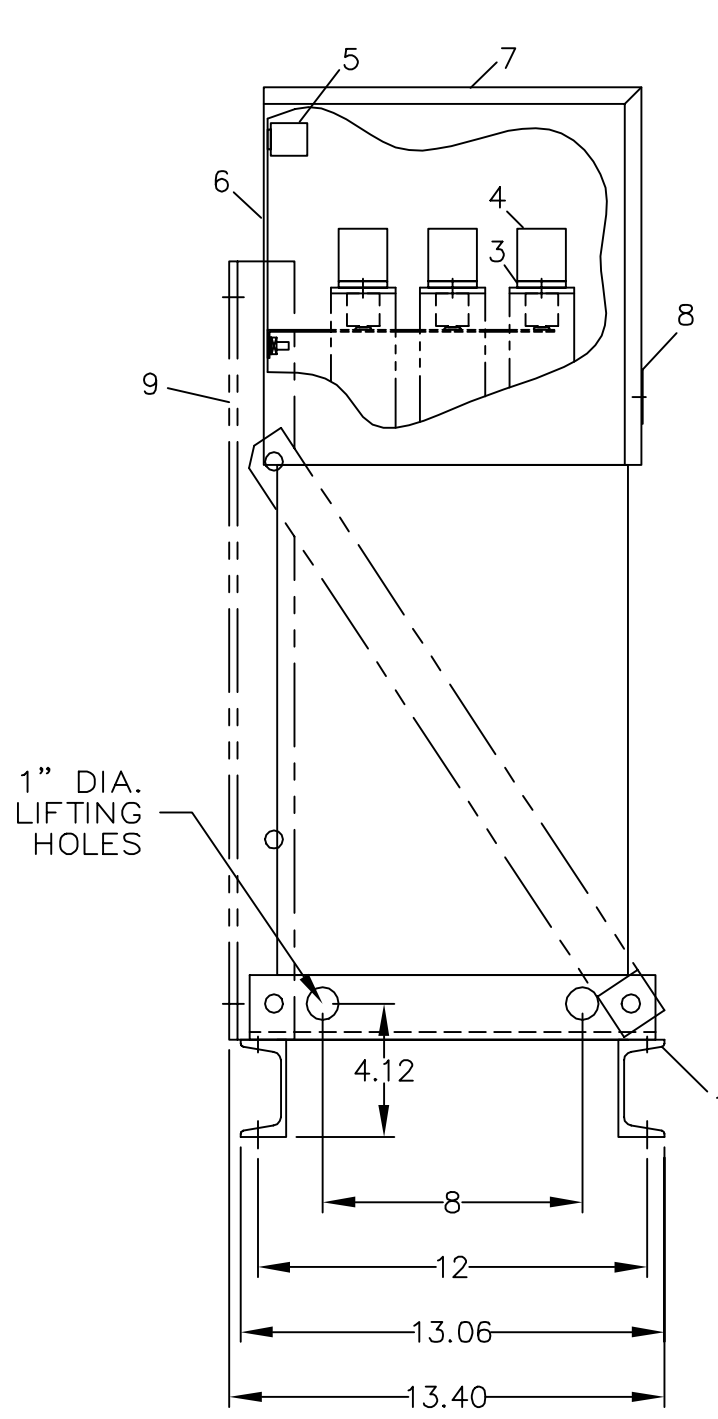
65L931TS2

SHT 1

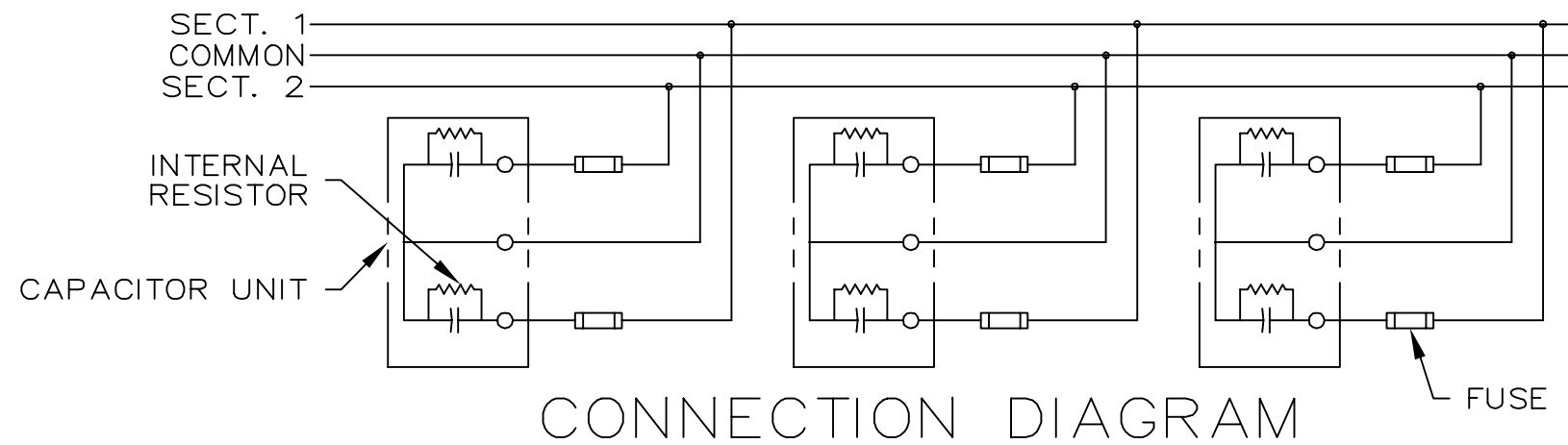
REV 1

1

REVISIONS			
REV	DESCRIPTION	DATE	APPROVED
1	UPDATE TO AUTOCAD		EJM



- NOMENCLATURE
1. ALUMINUM BASE FRAME
 2. CAPACITOR UNIT
 3. COPPER BUS BARS
 4. LINE TERMINAL - #4/0 TO 600 MCM
 5. GROUND TERMINAL - #6AWG TO 250 MCM
 6. BUS ENCLOSURE
 7. ACCESS COVER
 8. RATING NAMEPLATE
 9. OPTIONAL FIELD ASSEMBLED WALL MTG. FRAME



CAT 65L931TS2 SERNO
 KVAR 260 60Hz 1ph
 VOLT 480 DIAG 186C3233FK
 CONN COM CTR
 Read instructions: GEH-2728

SIGNATURES	DATE
DRAWN E.McGINN	9/28/93
CHECKED	
ENGR	
ISSUED	9/30/95
CAD SYS. NO.	
AUTOCAD	

INDUSTRIAL SYSTEMS
 FORT EDWARD, N.Y., U.S.A.

OUTLINE
 65L931TS2

FIRST MADE FOR:

SIZE	FSCM NO.	DWG NO.	REV
C		65L931TS2	1
SCALE		SHEET 1	CONT ON SHT -

DISTR TO 413