

4

3

2

C

SIZE DWG NO.

65L932TE2

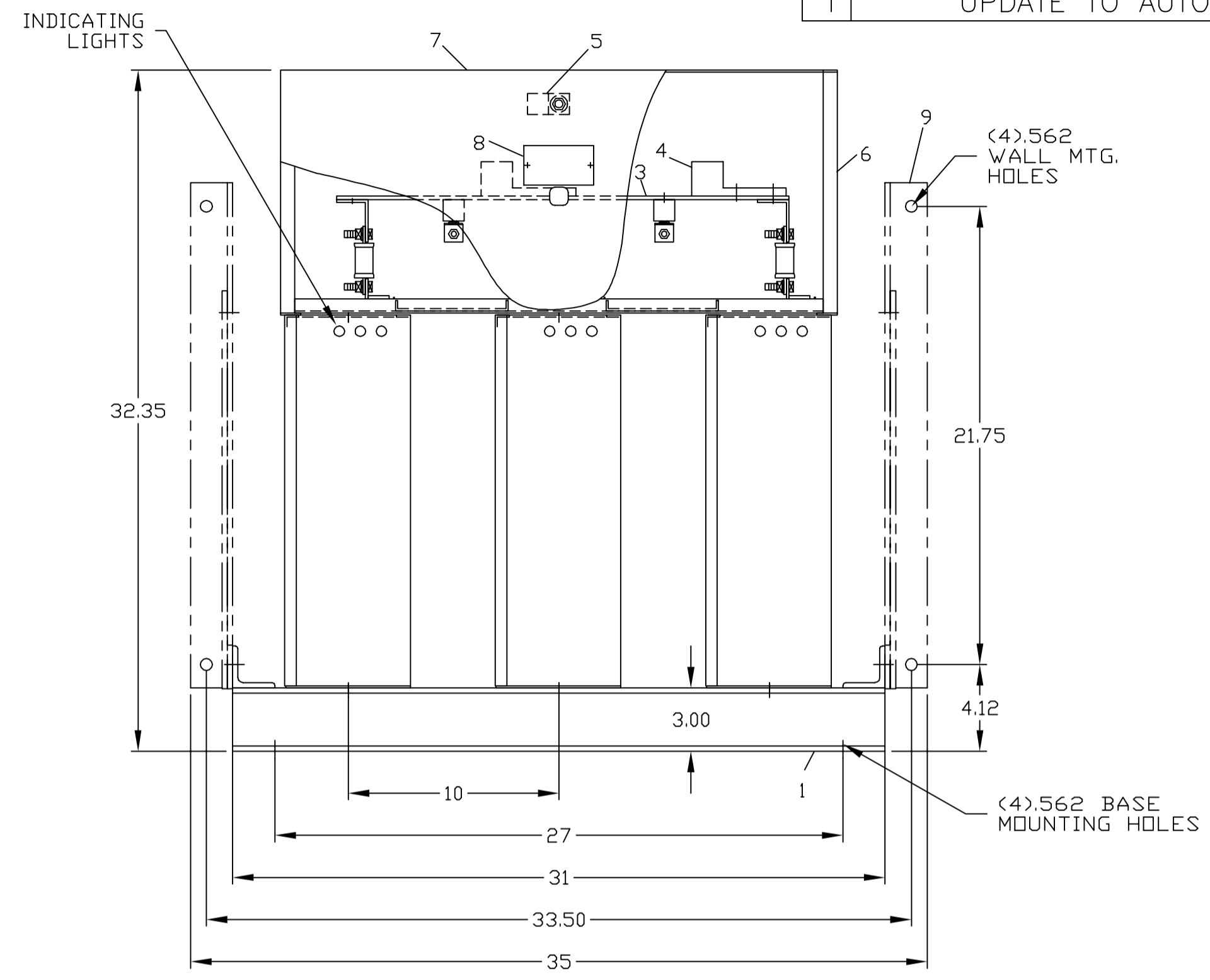
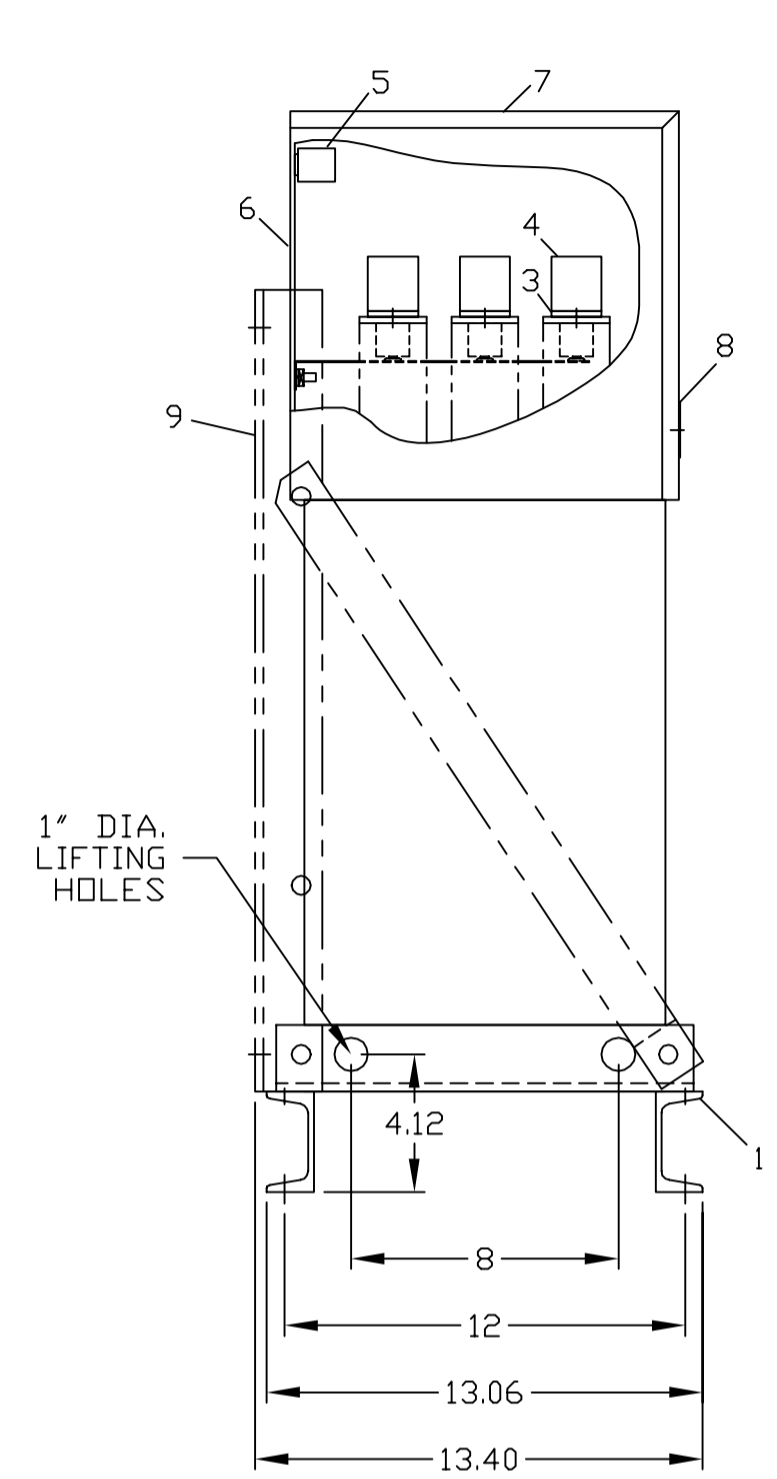
SHT

REV NO.

1

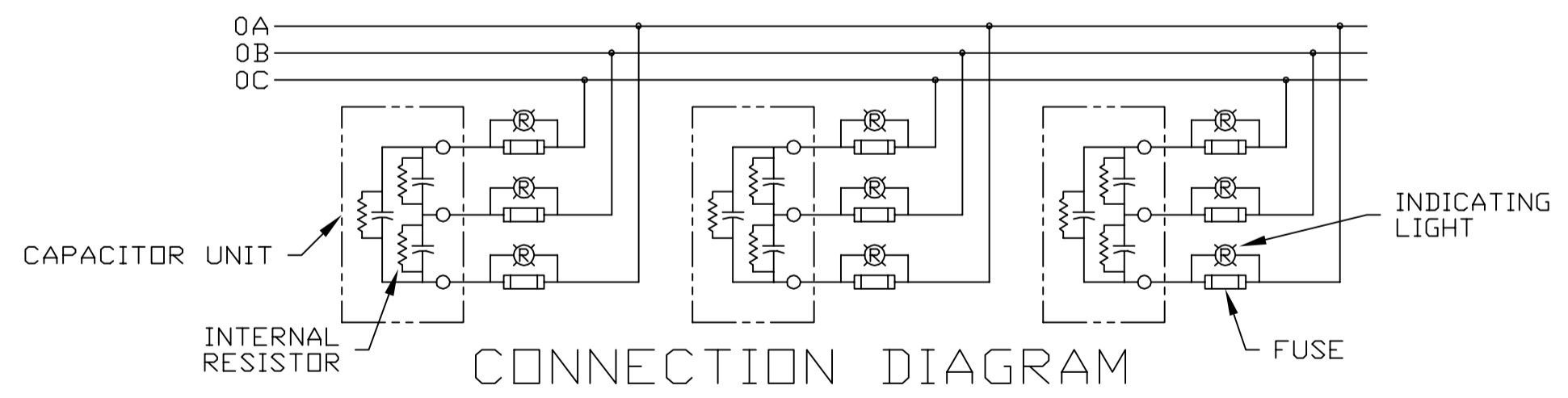
1

REVISIONS			
REV	DESCRIPTION	DATE	APPROVED
1	UPDATE TO AUTOCAD		KS



NOMENCLATURE

1. ALUMINUM BASE FRAME
2. CAPACITOR UNIT
3. COPPER BUS BARS
4. LINE TERMINAL - #4/0 TO 600 MCM
5. GROUND TERMINAL - #6AWG TO 250 MCM
6. BUS ENCLOSURE
7. ACCESS COVER
8. RATING NAMEPLATE
9. OPTIONAL FIELD ASSEMBLED WALL MTG. FRAME



CAT 65L932TE2 SERNO  
 KVAR 270 60Hz 3ph  
 VOLT 480 DIAG 186C3233FB  
 CONN DELTA

Read instructions: GEH-2728

SIGNATURES	DATE
DRAWN E.McGINN	9/28/92
CHECKED	
ENGR	
ISSUED	9/30/93
CAD SYS. NO.	
AUTOCAD	



INDUSTRIAL SYSTEMS  
FORT EDWARD, N.Y., U.S.A.

OUTLINE  
65L932TE2

FIRST MADE FOR:

SIZE C	FSCM NO.	DWG NO. 65L932TE2	REV 1
SCALE	SHEET	CONT ON SHT	DISTR TO

413

4

3

2

1