

4

3

2

SIZE C

DWG NO.

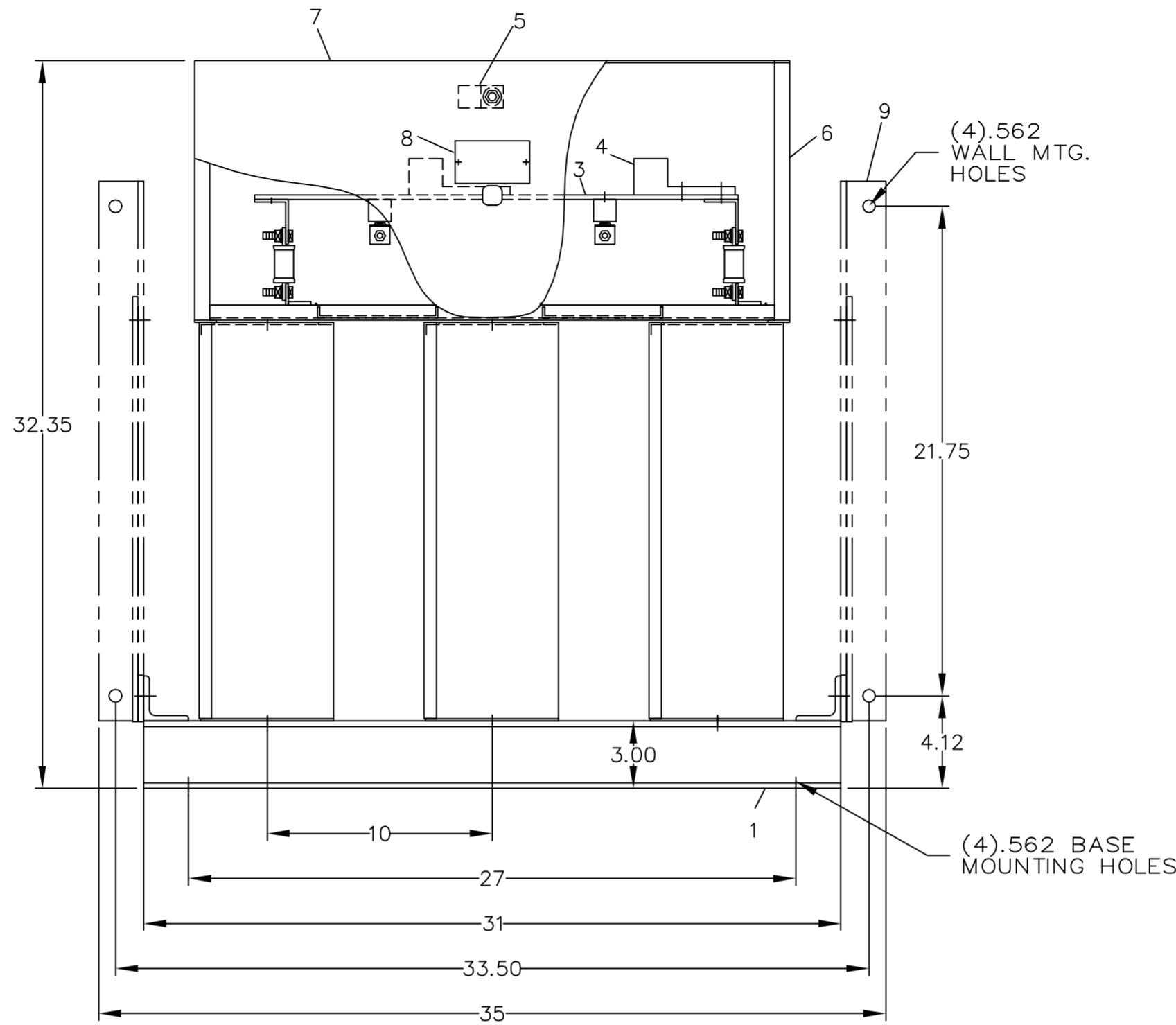
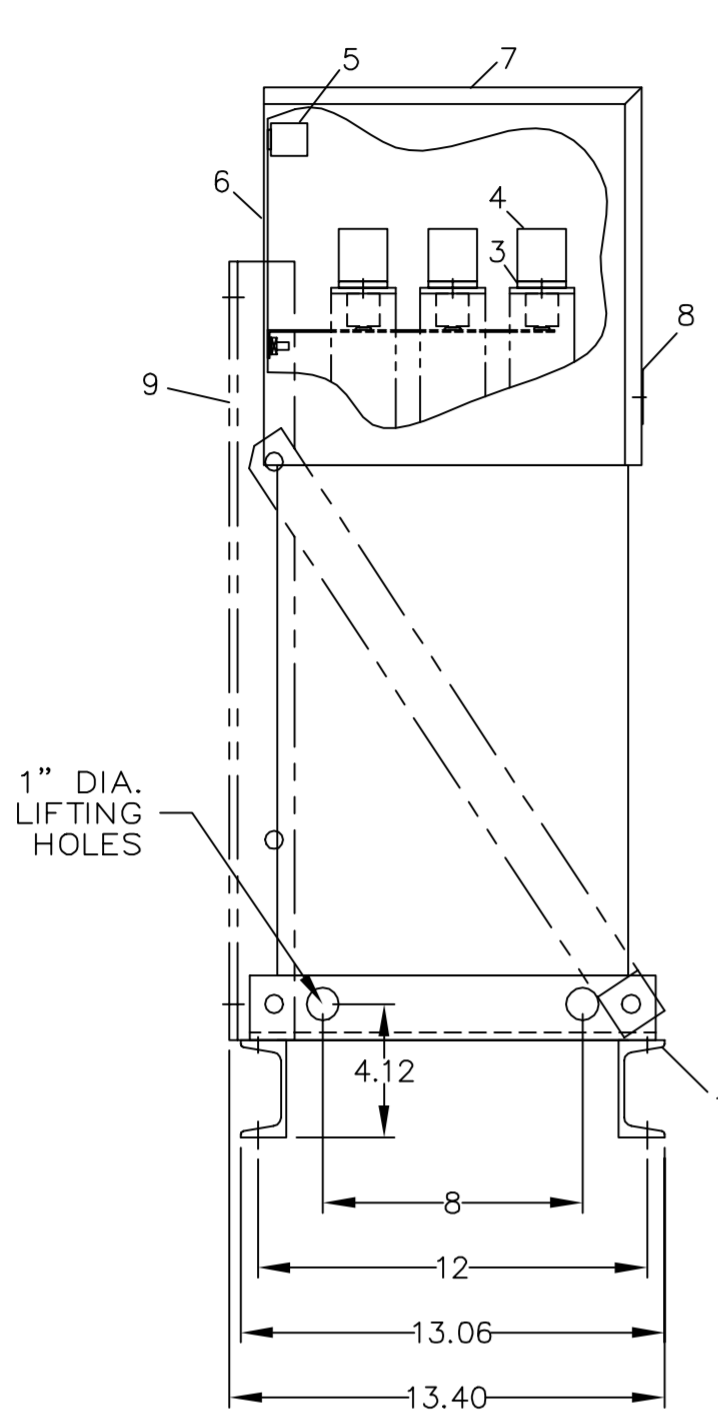
65L933TS2

SHT 1

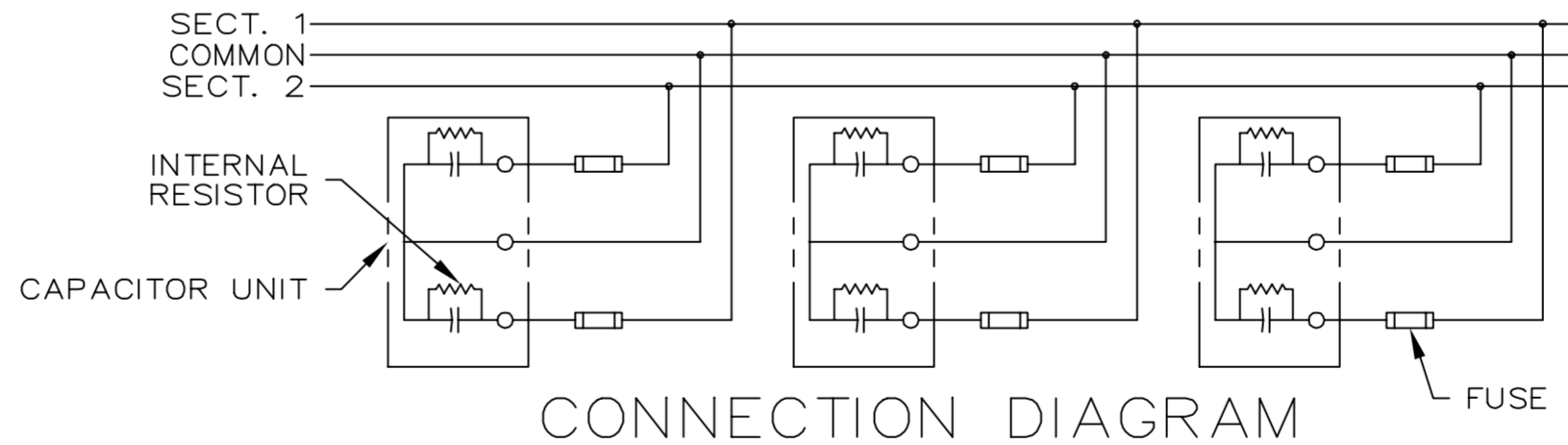
REV 1

1

| REVISIONS | | | |
|-----------|-------------------|------|----------|
| REV | DESCRIPTION | DATE | APPROVED |
| 1 | UPDATE TO AUTOCAD | | EJM |



- NOMENCLATURE**
1. ALUMINUM BASE FRAME
 2. CAPACITOR UNIT
 3. COPPER BUS BARS
 4. LINE TERMINAL - #4/0 TO 600 MCM
 5. GROUND TERMINAL - #6AWG TO 250 MCM
 6. BUS ENCLOSURE
 7. ACCESS COVER
 8. RATING NAMEPLATE
 9. OPTIONAL FIELD ASSEMBLED WALL MTG. FRAME



CAT 65L933TS2 SERNO
 KVAR 280 60Hz 1ph
 VOLT 480 DIAG 186C3233FK
 CONN COM CTR
 Read instructions: GEH-2728

| SIGNATURES | DATE |
|----------------|---------|
| DRAWN E.McGINN | 9/28/93 |
| CHECKED | |
| ENGR | |
| ISSUED | 9/30/95 |
| CAD SYS. NO. | |
| AUTOCAD | |

INDUSTRIAL SYSTEMS
 FORT EDWARD, N.Y., U.S.A.

OUTLINE
 65L933TS2

FIRST MADE FOR:

| | | | |
|--------|----------|-------------------|---------------|
| SIZE C | FSCM NO. | DWG NO. 65L933TS2 | REV 1 |
| SCALE | SHEET 1 | | CONT ON SHT - |

413
DISTR TO