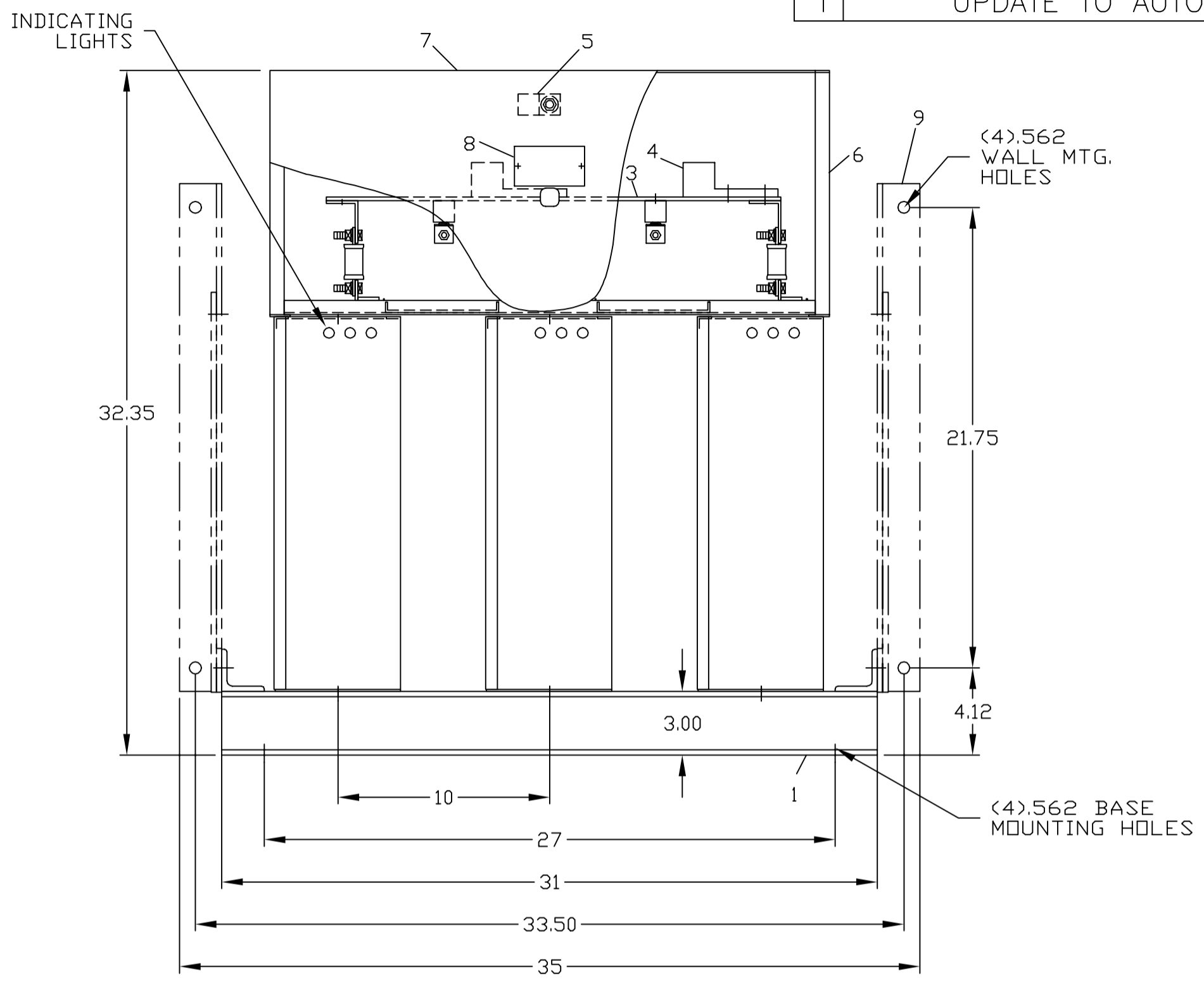
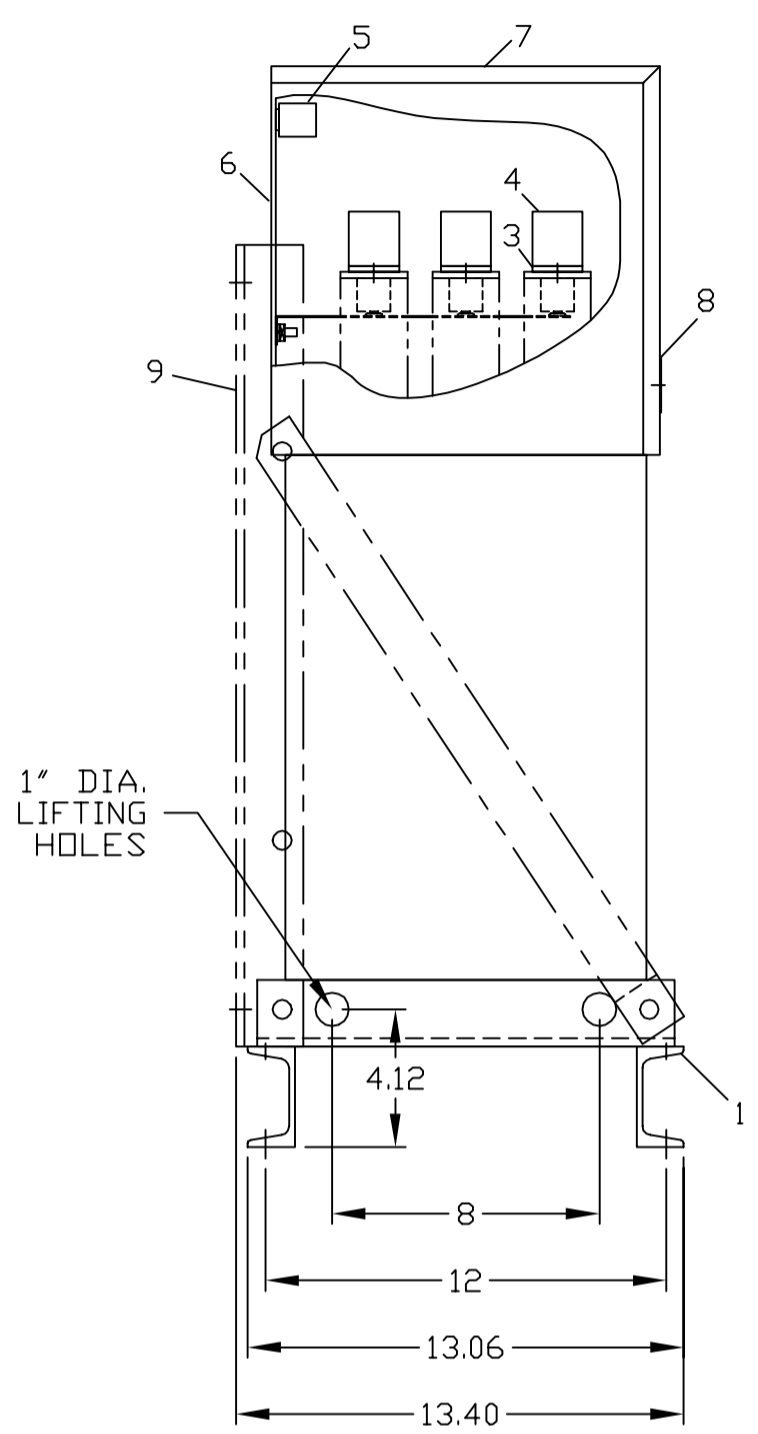
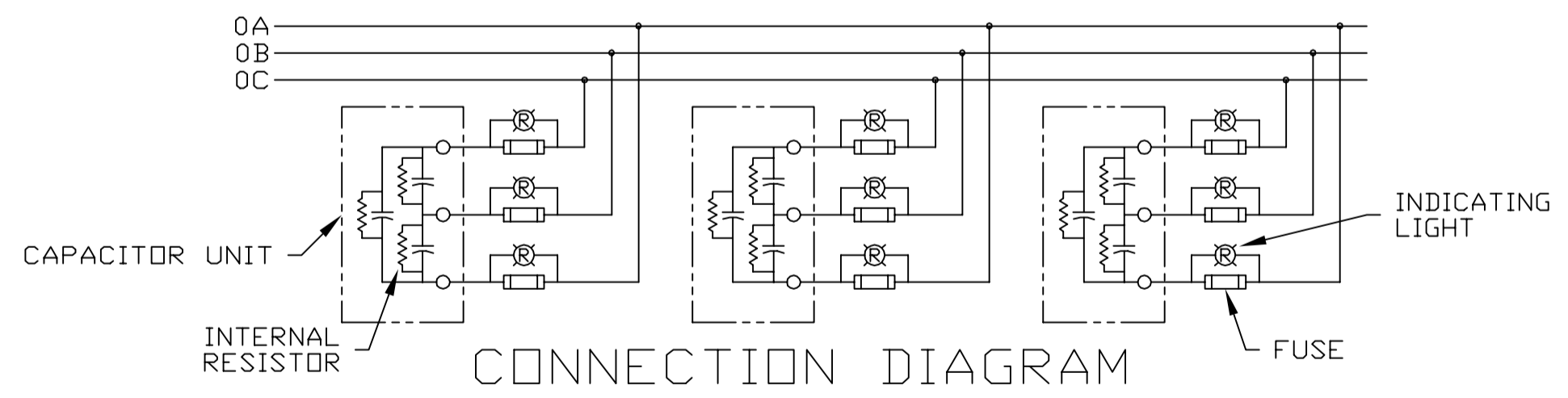


REVISIONS			
REV	DESCRIPTION	DATE	APPROVED
1	UPDATE TO AUTOCAD		KS



NOMENCLATURE

1. ALUMINUM BASE FRAME
2. CAPACITOR UNIT
3. COPPER BUS BARS
4. LINE TERMINAL - #4/0 TO 600 MCM
5. GROUND TERMINAL - #6AWG TO 250 MCM
6. BUS ENCLOSURE
7. ACCESS COVER
8. RATING NAMEPLATE
9. OPTIONAL FIELD ASSEMBLED WALL MTG. FRAME



CAT 65L935TE2 SERNO  
 KVAR 300 60Hz 3ph  
 VOLT 480 DIAG 186C3233FB  
 CONN DELTA  
 Read instructions: GEH-2728

SIGNATURES		DATE
DRAWN E.McGINN		9/28/92
CHECKED		
ENGR		
ISSUED		9/30/93
CAD SYS. NO.		
AUTOCAD		

INDUSTRIAL SYSTEMS  
 FORT EDWARD, N.Y., U.S.A.

OUTLINE  
 65L935TE2

FIRST MADE FOR:

SIZE	FSCM NO.	DWG NO.	REV
C		65L935TE2	1
SCALE	SHEET	CONT ON SHT	DISTR TO

413