

4

3

2

C

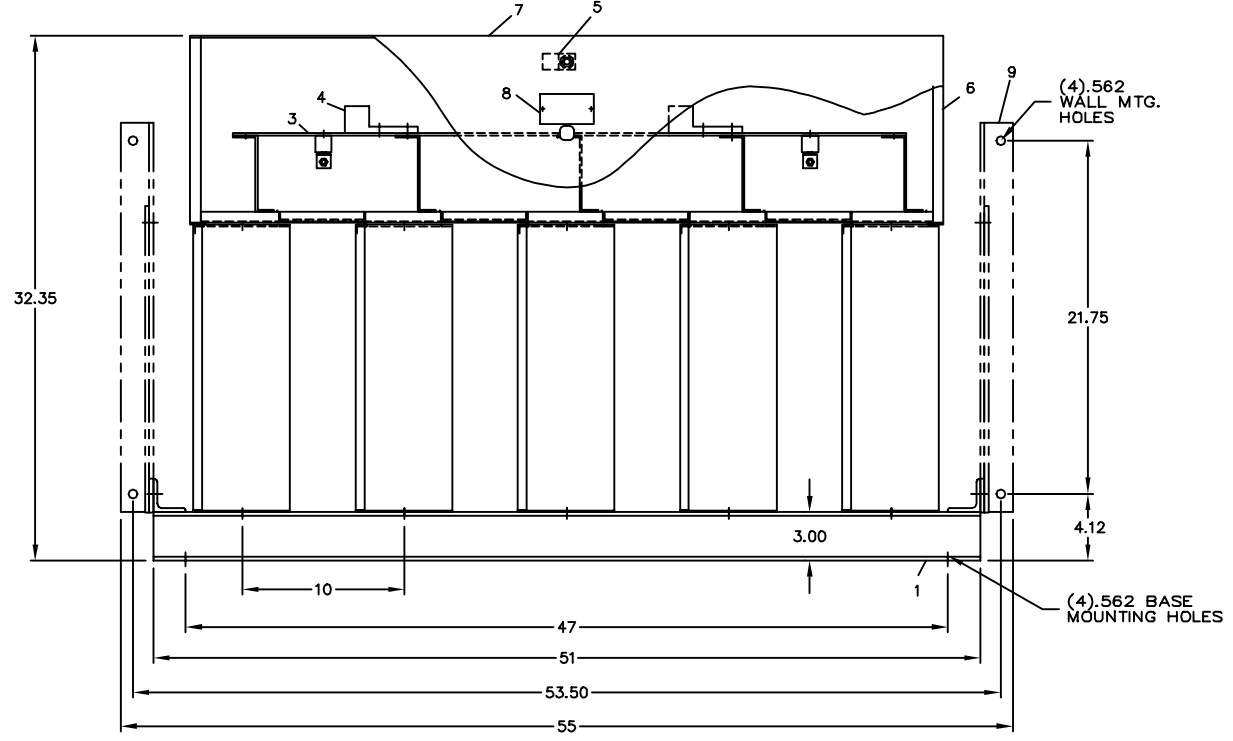
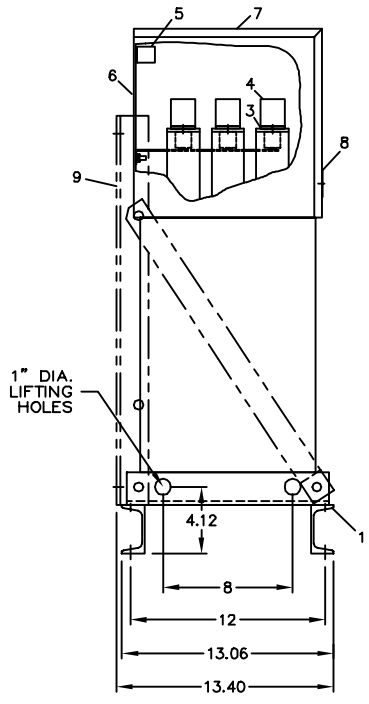
65L935TF2

1

1

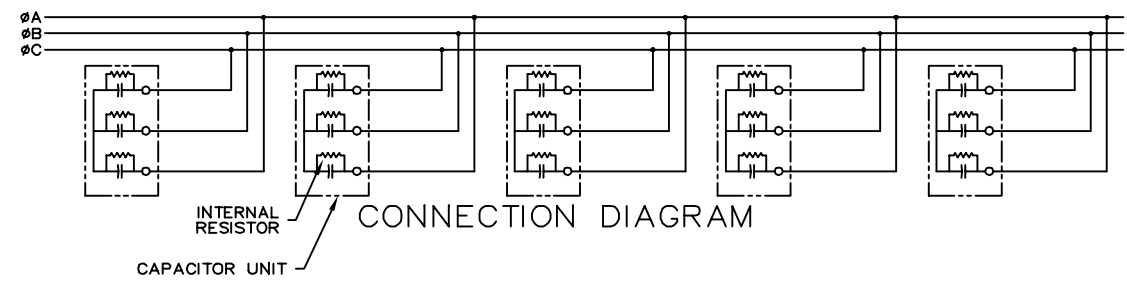
1

REVISIONS			
REV	DESCRIPTION	DATE	APPROVED
1	UPDATE TO AUTOCAD		FWL



NOMENCLATURE

- 1. ALUMINUM BASE FRAME
- 2. CAPACITOR UNIT
- 3. COPPER BUS BARS
- 4. LINE TERMINAL - #4/0 TO 600 MCM
- 5. GROUND TERMINAL - #6AWG TO 250 MCM
- 6. BUS ENCLOSURE
- 7. ACCESS COVER
- 8. RATING NAMEPLATE
- 9. OPTIONAL FIELD ASSEMBLED WALL MTG. FRAME



CAT 65L935TF2 SERND
 KVAR 300 60Hz 3ph
 VOLT 600 DIAG 186C3233HL
 CONN Y-COINN

Read instructions: GEH-2728

SIGNATURES		DATE		INDUSTRIAL SYSTEMS FORT EDWARD, N.Y., U.S.A.	
DRAWN E.McGINN		10/1/92			
CHECKED					
ENOR					
ISSUED		9/30/03			
				IUTLINE 65L935TF2	
				FIRST MADE FOR:	
CAD SYS. NO.		SIZE C	FSCM NO.	DWG. NO. 65L935TF2	REV 1
AUTOCAD		SCALE		SHEET 1	CONT ON SHIT -

413
DISTR TO