

4

3

2

C

SIZE DWG NO.

65L935TK2

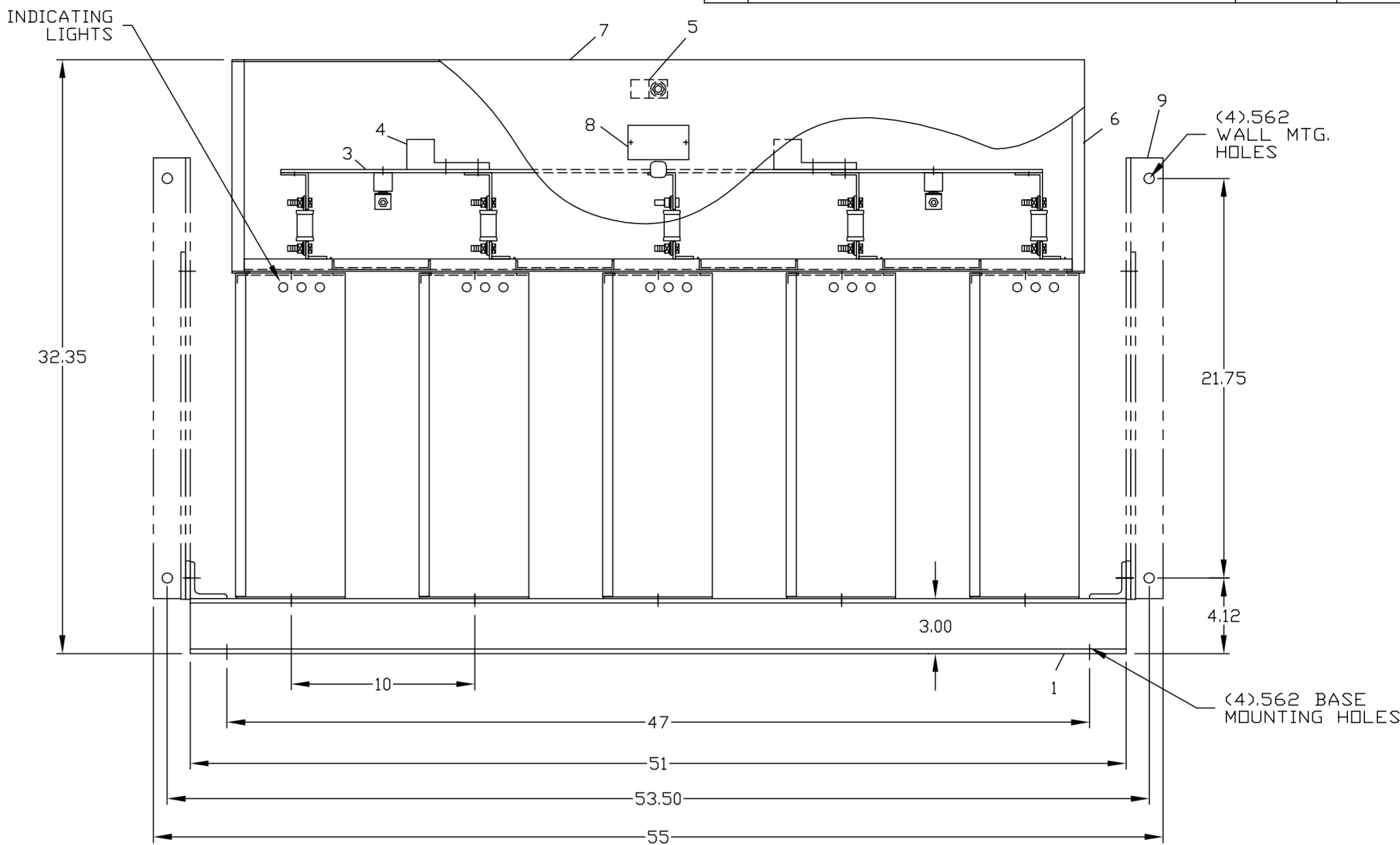
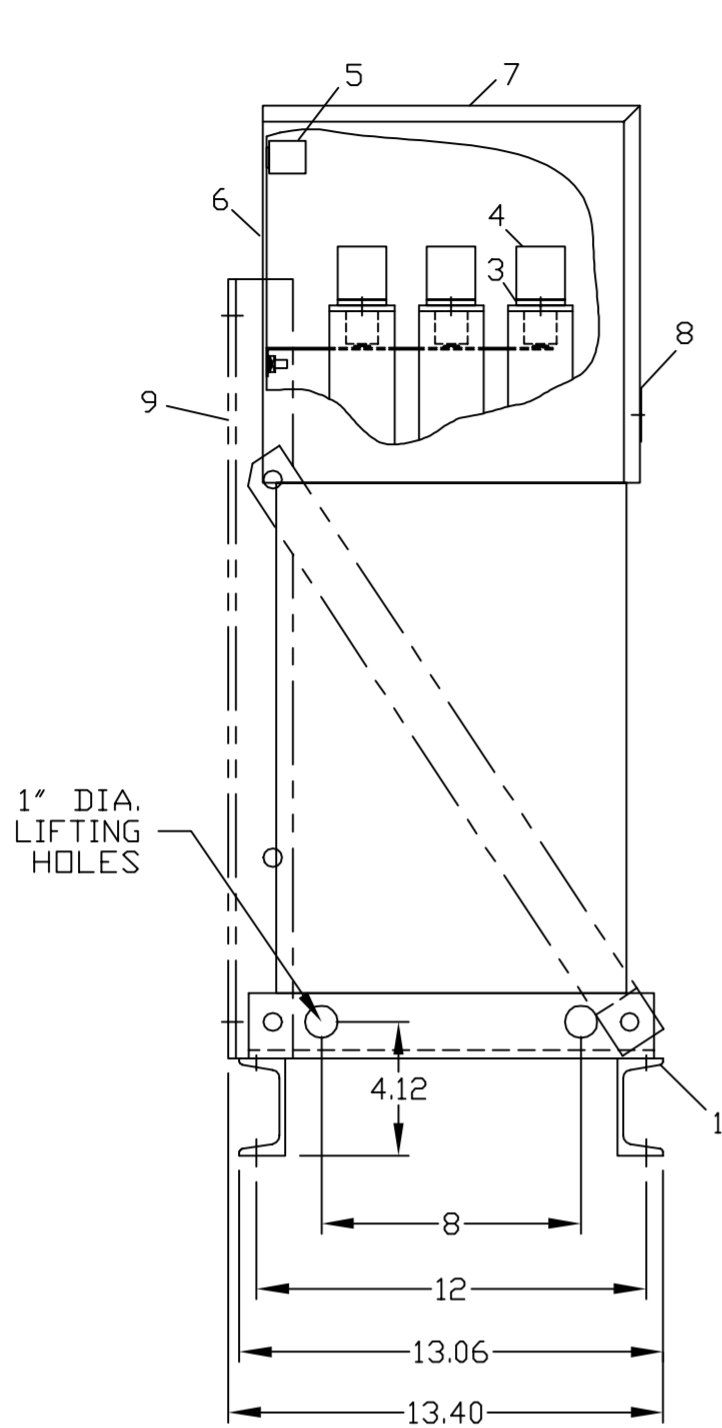
SHT 1

REV 1

1

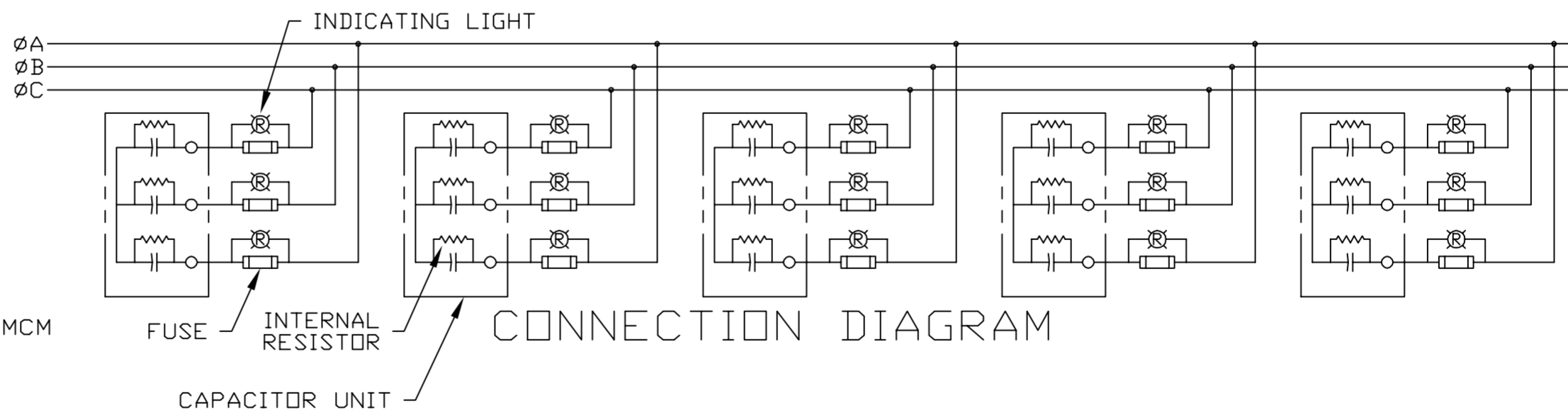
REVISIONS

REV	DESCRIPTION	DATE	APPROVED
1	UPDATE TO AUTOCAD		FWL



NOMENCLATURE

1. ALUMINUM BASE FRAME
2. CAPACITOR UNIT
3. COPPER BUS BARS
4. LINE TERMINAL - #4/0 TO 600 MCM
5. GROUND TERMINAL - #6AWG TO 250 MCM
6. BUS ENCLOSURE
7. ACCESS COVER
8. RATING NAMEPLATE
9. OPTIONAL FIELD ASSEMBLED WALL MTG. FRAME



CAT 65L935TK2 SERNO
 KVAR 300 60Hz 3ph
 VOLT 600 DIAG 186C3233HA
 CONN Y-CONN
 Read instructions: GEH-2728

SIGNATURES	DATE
DRAWN E.McGINN	10/1/92
CHECKED	
ENGR	
ISSUED	9/30/00
CAD SYS. NO.	
AUTOCAD	

INDUSTRIAL SYSTEMS
 FORT EDWARD, N.Y., U.S.A.

OUTLINE
 65L935TK2

FIRST MADE FOR:

SIZE C	FSCM NO.	DWG NO. 65L935TK2	REV 1
SCALE	SHEET 1	CONT ON SHT	

413
DISTR TO