

4

3

2

C

SIZE DWG NO.

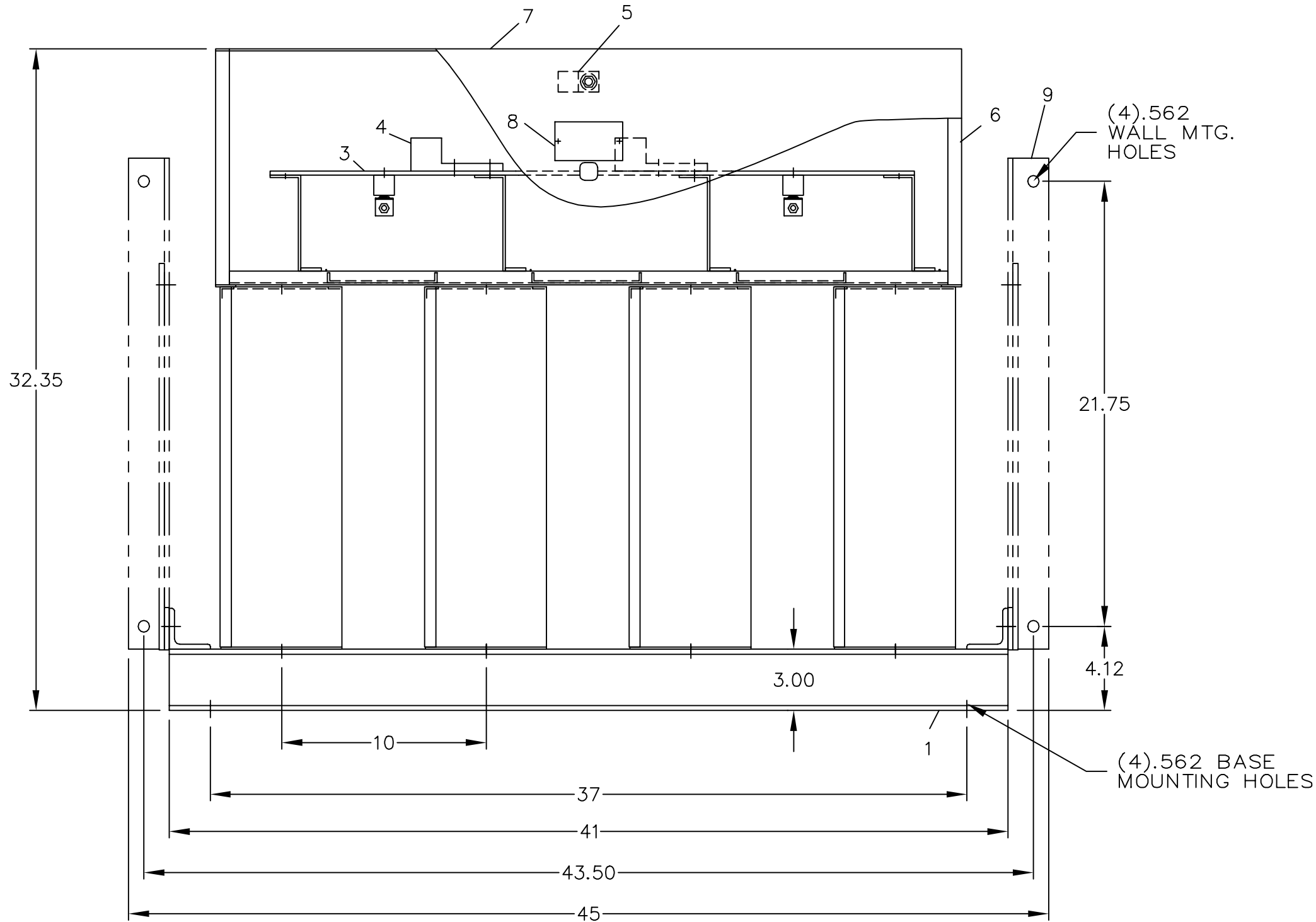
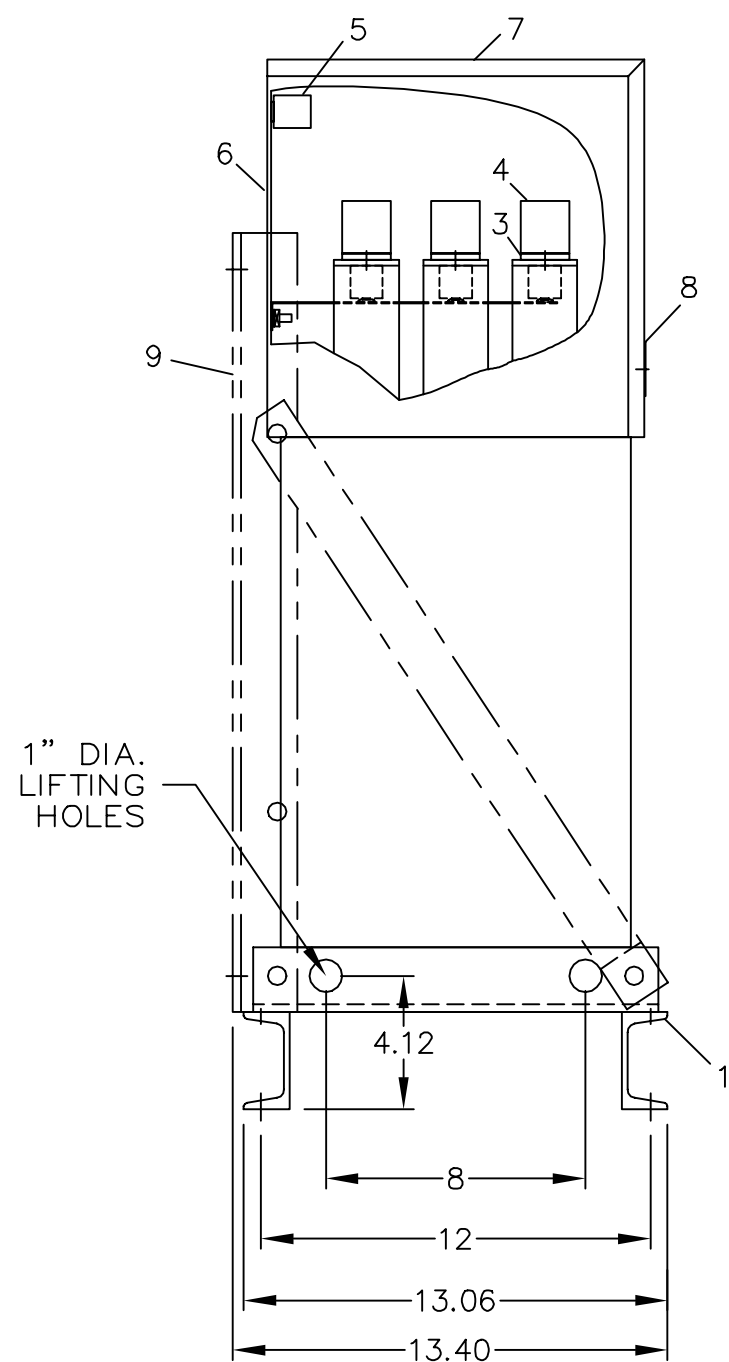
65L937TR2

SHT 1

REV 1

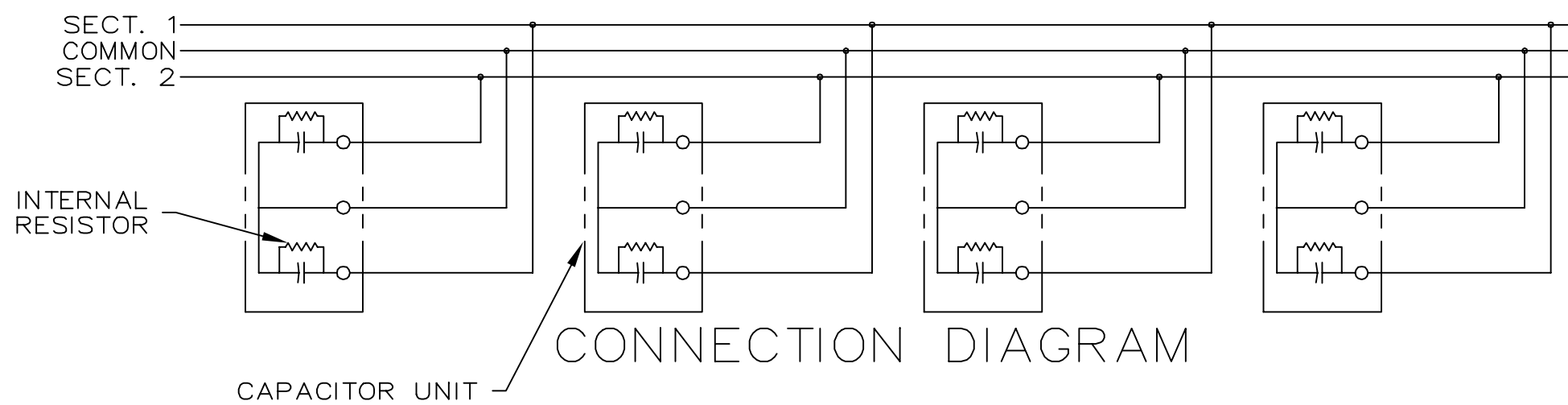
1

REVISIONS			
REV	DESCRIPTION	DATE	APPROVED
1	UPDATE TO AUTOCAD	11/8/00	FWL



NOMENCLATURE

- 1. ALUMINUM BASE FRAME
- 2. CAPACITOR UNIT
- 3. COPPER BUS BARS
- 4. LINE TERMINAL - #4/O TO 600 MCM
- 5. GROUND TERMINAL - #6AWG TO 250 MCM
- 6. BUS ENCLOSURE
- 7. ACCESS COVER
- 8. RATING NAMEPLATE
- 9. OPTIONAL FIELD ASSEMBLED WALL MTG. FRAME



CAT 65L937TR2 SERNO
 KVAR 350 60Hz 1ph
 VOLT 480 DIAG 186C3233GN
 CONN COM CTR
 Read instructions: GEH-2728

SIGNATURES		DATE		INDUSTRIAL SYSTEMS FORT EDWARD, N.Y., U.S.A. OUTLINE 65L937TR2 FIRST MADE FOR:	
DRAWN E.McGINN		10/1/92			
CHECKED					
ENGR					
ISSUED		9/30/93		DISTR TO 413	
CAD SYS. NO.		SIZE C	FSCM NO.		DWG NO. 65L937TR2
AUTOCAD		SCALE	SHEET 1		CONT ON SHT -

4

3

2

1