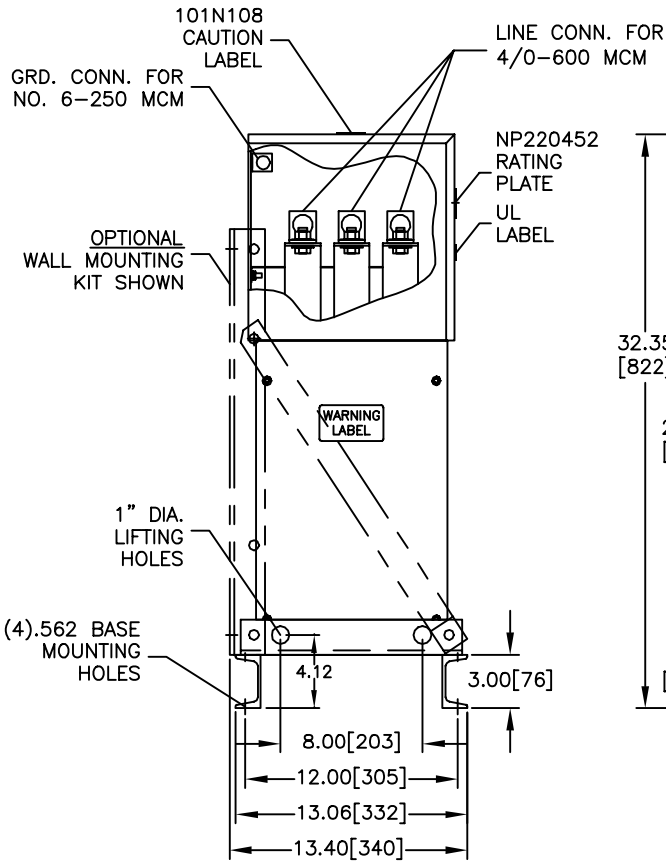
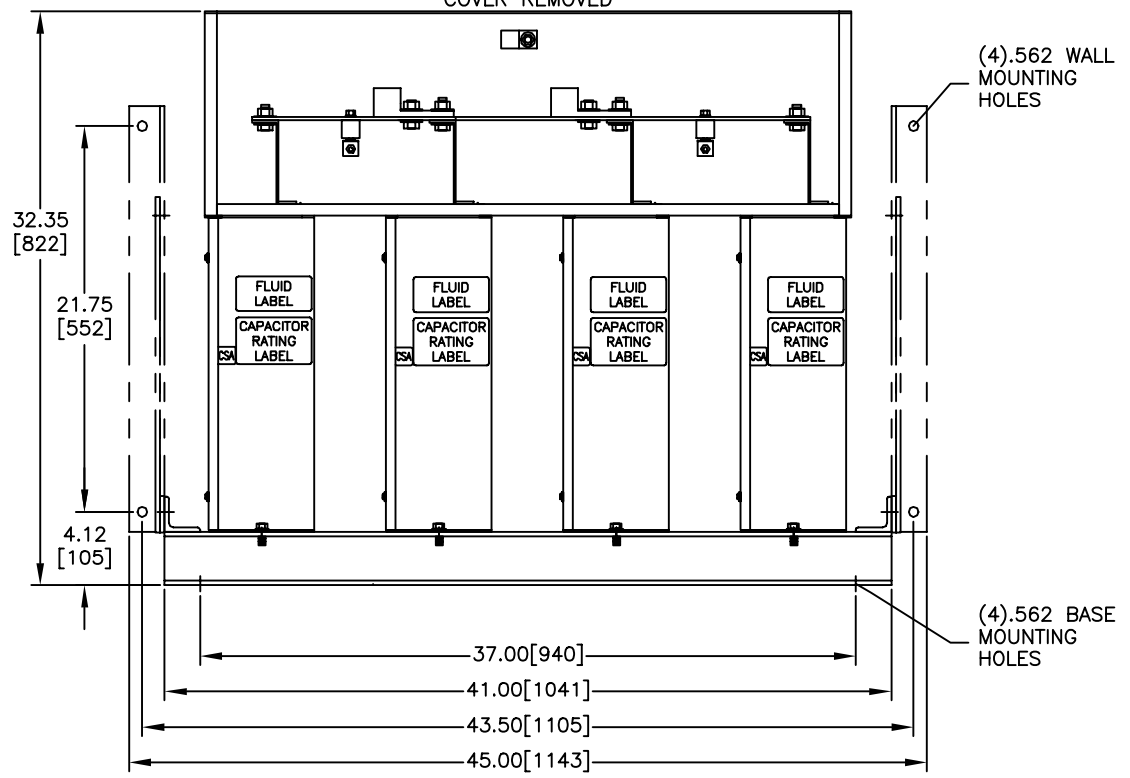


SIZE A	DWG NO 65L938TF3	SHT 2	REV
REV	DESCRIPTION	DATE	APPROVED



FRONT VIEW  
SHOWN WITH TOP/FRONT COVER REMOVED



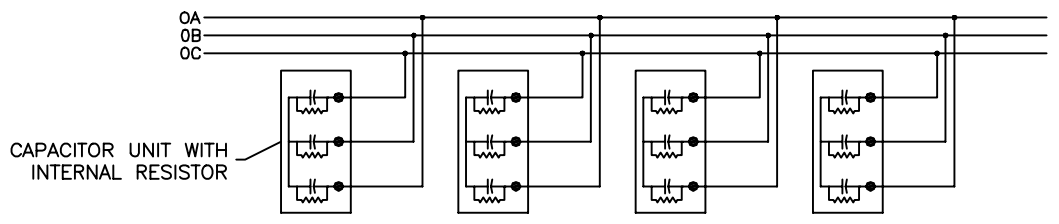
## CAPACITOR

CAT. 65L938TF3      SER.NO.  
kVAR 375      60 Hz      3 Ph  
VOLT. 600      CONN. WYE

DIAG. 186C3233GL

**CAUTION** BEFORE INSTALLING OR OPERATING READ INST. 2738

CAPACITOR UNITS CONTAIN CLASS III B COMBUSTIBLE LIQUID.  
CAPACITOR UNITS INCLUDE INTERNAL DISCHARGE RESISTORS.  
NP220452      FORT EDWARD, N.Y.      MADE IN U.S.A.



CONNECTION DIAGRAM

<b>INDUSTRIAL SYSTEMS</b> FORT EDWARD, N.Y., U.S.A.	SIZE <b>A</b>	EST. WEIGHT: 188	<h1 style="margin: 0;">OUTLINE</h1> <h2 style="margin: 0;">65L938TF3</h2>
	SCALE	GALLONS LIQUID: 1.61	
DRAWN    A.Cozzens	DATE    7/1/2003		
ISSUED	DATE    7/9/2003	SHEET    2	CONT ON    -

DISTR. TO