

4

3

2

C

SIZE DWG NO.

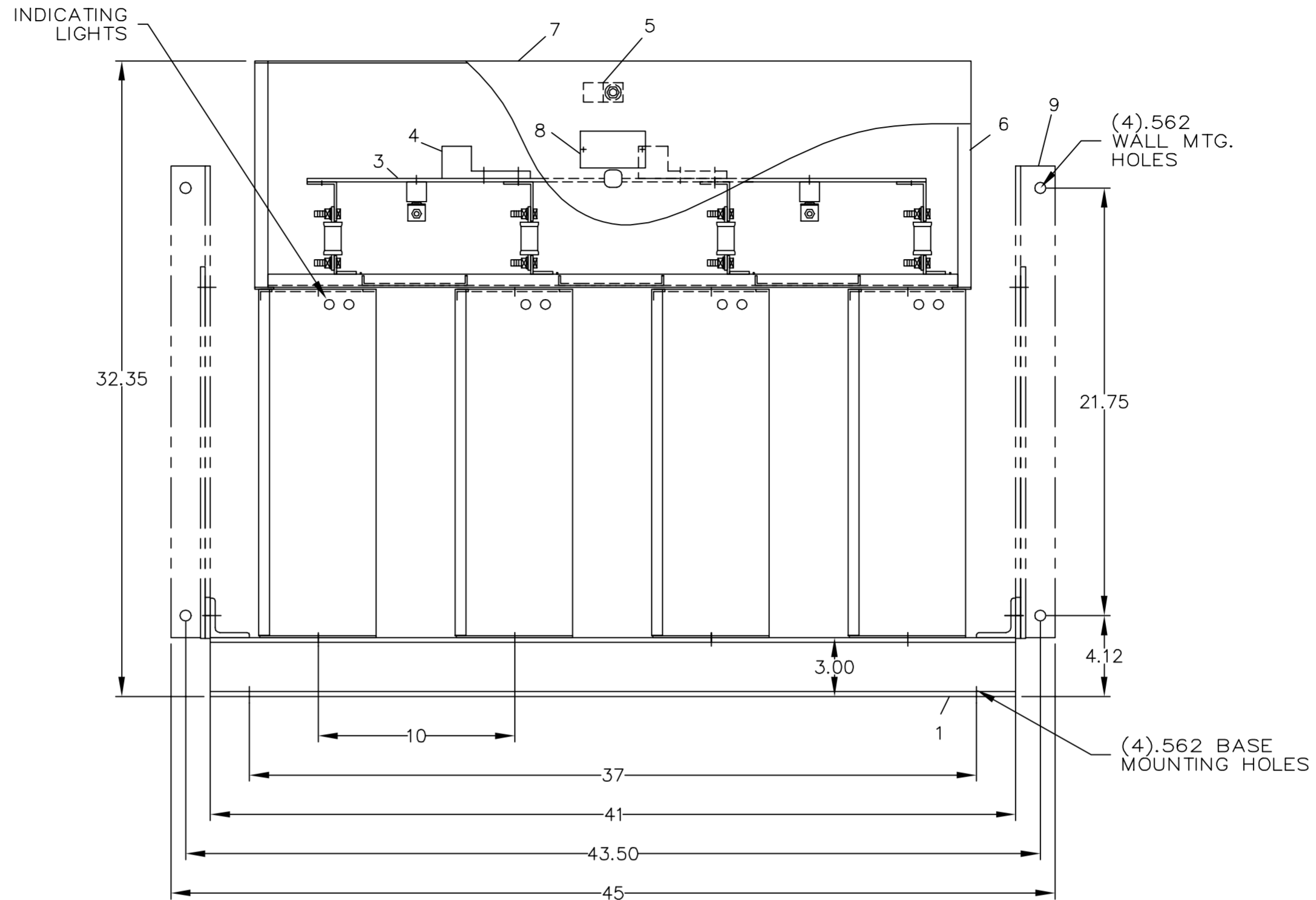
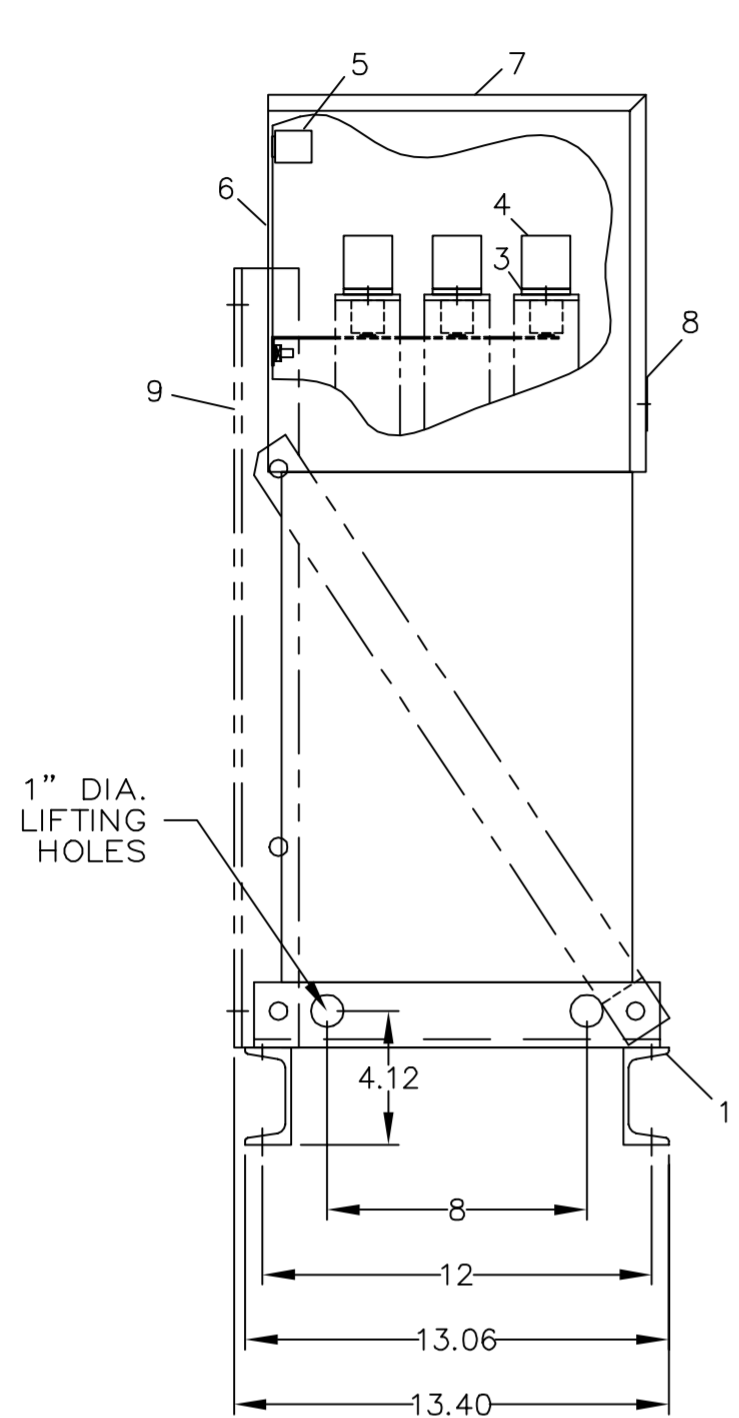
65L938TT2

SHT 1

REV 1

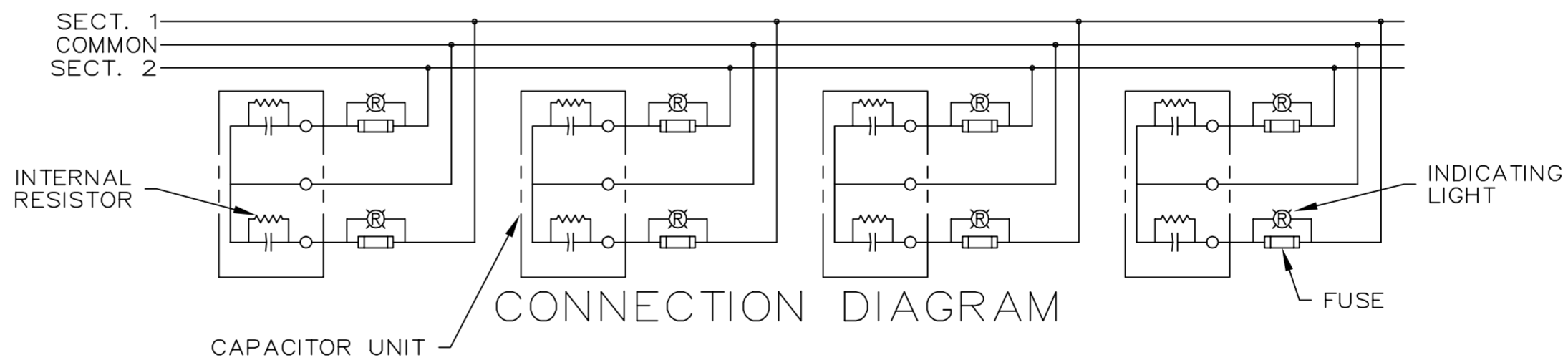
1

| REVISIONS |                   |      |          |
|-----------|-------------------|------|----------|
| REV       | DESCRIPTION       | DATE | APPROVED |
| 1         | UPDATE TO AUTOCAD |      | EJM      |



NOMENCLATURE

- 1. ALUMINUM BASE FRAME
- 2. CAPACITOR UNIT
- 3. COPPER BUS BARS
- 4. LINE TERMINAL - #4/0 TO 600 MCM
- 5. GROUND TERMINAL - #6AWG TO 250 MCM
- 6. BUS ENCLOSURE
- 7. ACCESS COVER
- 8. RATING NAMEPLATE
- 9. OPTIONAL FIELD ASSEMBLED WALL MTG. FRAME



CAT 65L938TT2 SERNO  
 KVAR 375 60Hz 1ph  
 VOLT 480 DIAG 186C3233GG  
 CONN COM CTR  
 Read instructions: GEH-2728

| SIGNATURES     | DATE    |
|----------------|---------|
| DRAWN E.McGINN | 9-30-93 |
| CHECKED        |         |
| ENGR           |         |
| ISSUED         | 9-30-93 |
| CAD SYS. NO.   |         |
| AUTOCAD        |         |



INDUSTRIAL SYSTEMS  
FORT EDWARD, N.Y., U.S.A.

OUTLINE  
65L938TT2

FIRST MADE FOR:

| SIZE  | FSCM NO. | DWG NO.   | REV           |
|-------|----------|-----------|---------------|
| C     |          | 65L938TT2 | 1             |
| SCALE |          | SHEET 1   | CONT ON SHT - |

413

DISTR TO

4

3

2

1