

4

3

2

C

SIZE DWG NO.

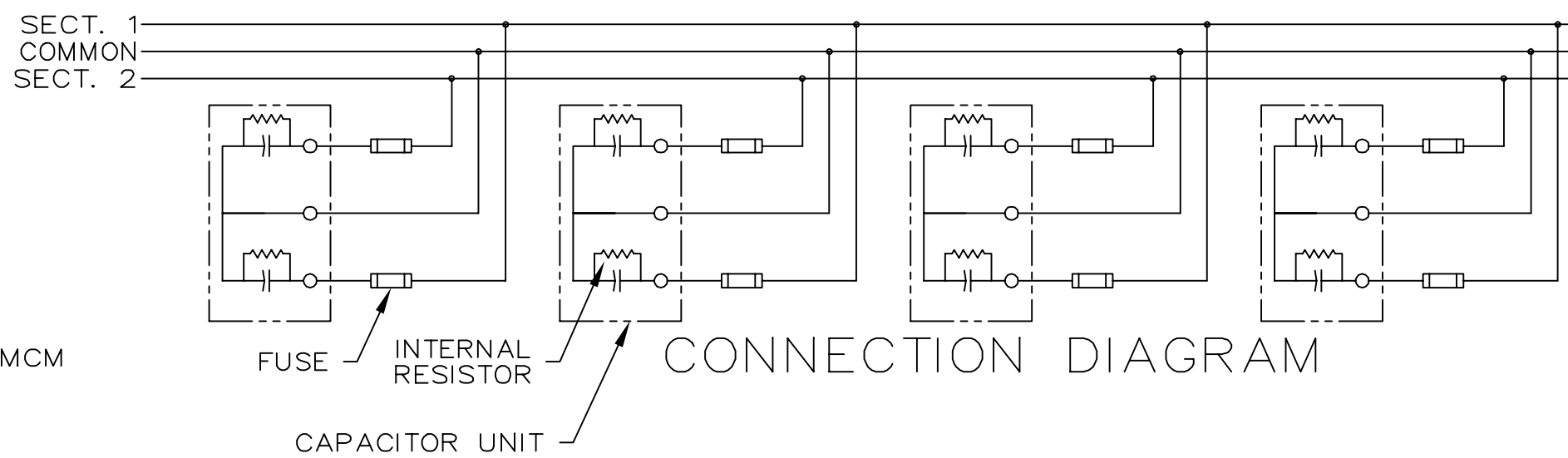
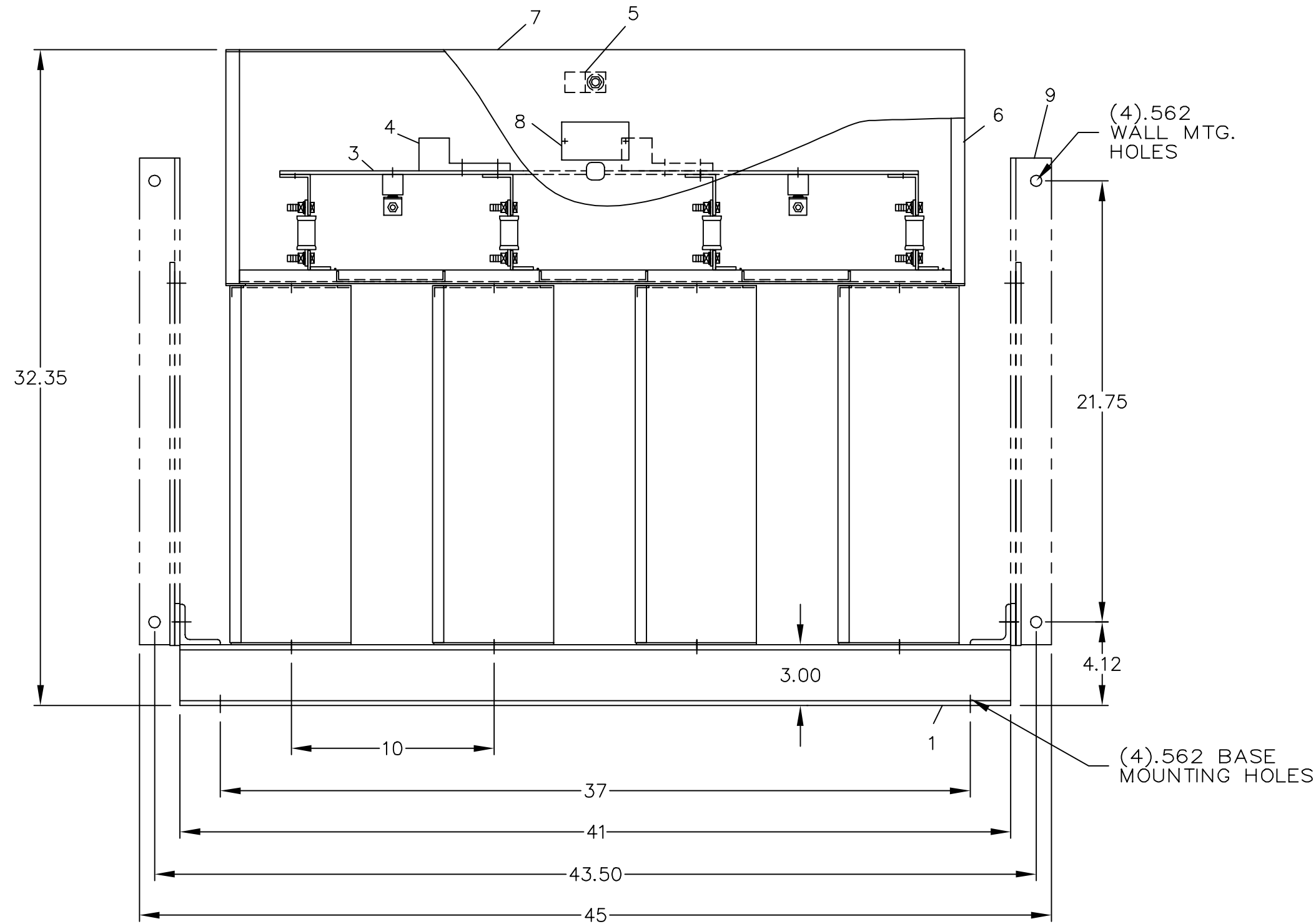
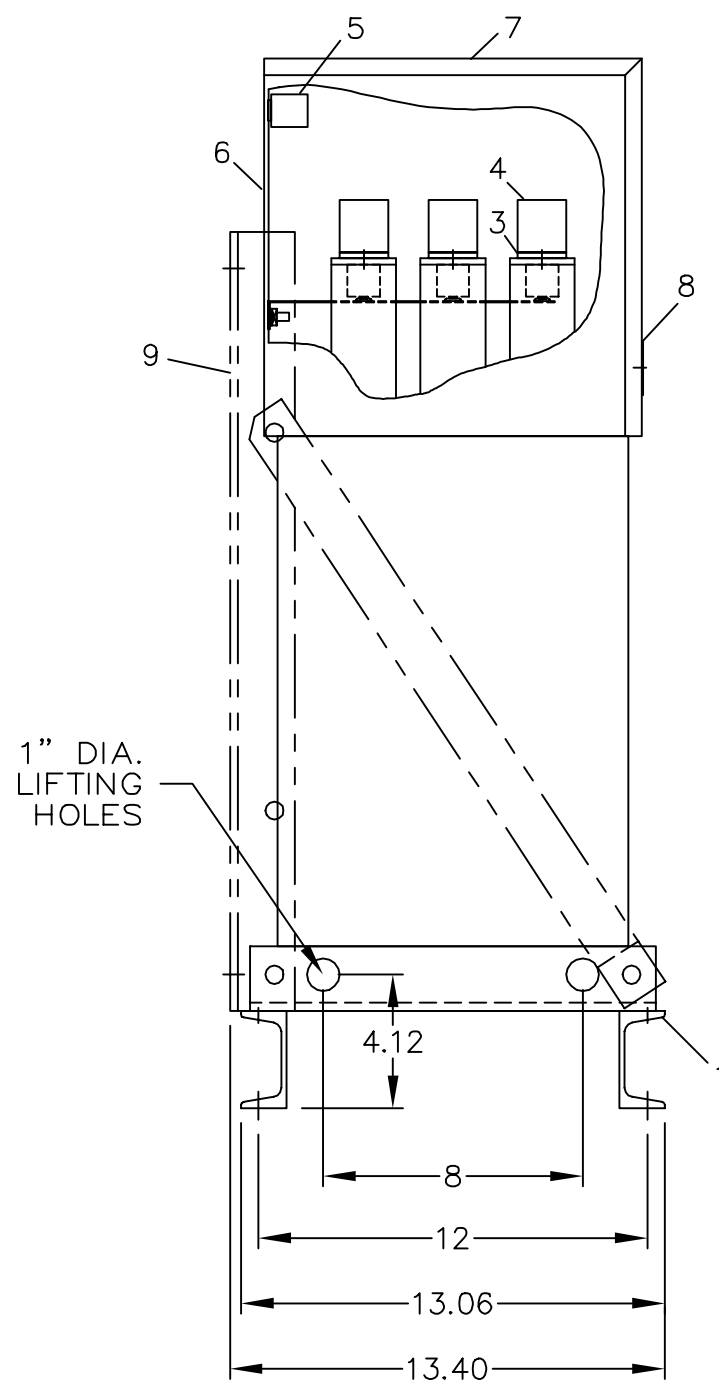
65L939TS2

SHT 1

REV 1

1

| REVISIONS |                   |      |          |
|-----------|-------------------|------|----------|
| REV       | DESCRIPTION       | DATE | APPROVED |
| 1         | UPDATE TO AUTOCAD |      | FWL      |



NOMENCLATURE

- 1. ALUMINUM BASE FRAME
- 2. CAPACITOR UNIT
- 3. COPPER BUS BARS
- 4. LINE TERMINAL - #4/0 TO 600 MCM
- 5. GROUND TERMINAL - #6AWG TO 250 MCM
- 6. BUS ENCLOSURE
- 7. ACCESS COVER
- 8. RATING NAMEPLATE
- 9. OPTIONAL FIELD ASSEMBLED WALL MTG. FRAME

CAT 65L939TS2 SERNO  
 KVAR 400 60Hz 1ph  
 VOLT 480 DIAG 186C3233GK  
 CONN COM CTR  
 Read instructions: GEH-2728

|                |  |         |
|----------------|--|---------|
| SIGNATURES     |  | DATE    |
| DRAWN E.McGINN |  | 9/30/00 |
| CHECKED        |  |         |
| ENGR           |  |         |
| ISSUED         |  | 9/30/00 |
| CAD SYS. NO.   |  |         |
| AUTOCAD        |  |         |



INDUSTRIAL SYSTEMS  
FORT EDWARD, N.Y., U.S.A.

OUTLINE  
65L939TS2

FIRST MADE FOR:

|        |          |                   |              |
|--------|----------|-------------------|--------------|
| SIZE C | FSCM NO. | DWG NO. 65L939TS2 | REV 1        |
| SCALE  | SHEET 1  | CONT ON SHT -     | DISTR TO 413 |