

4

3

2

C

SIZE DWG NO.

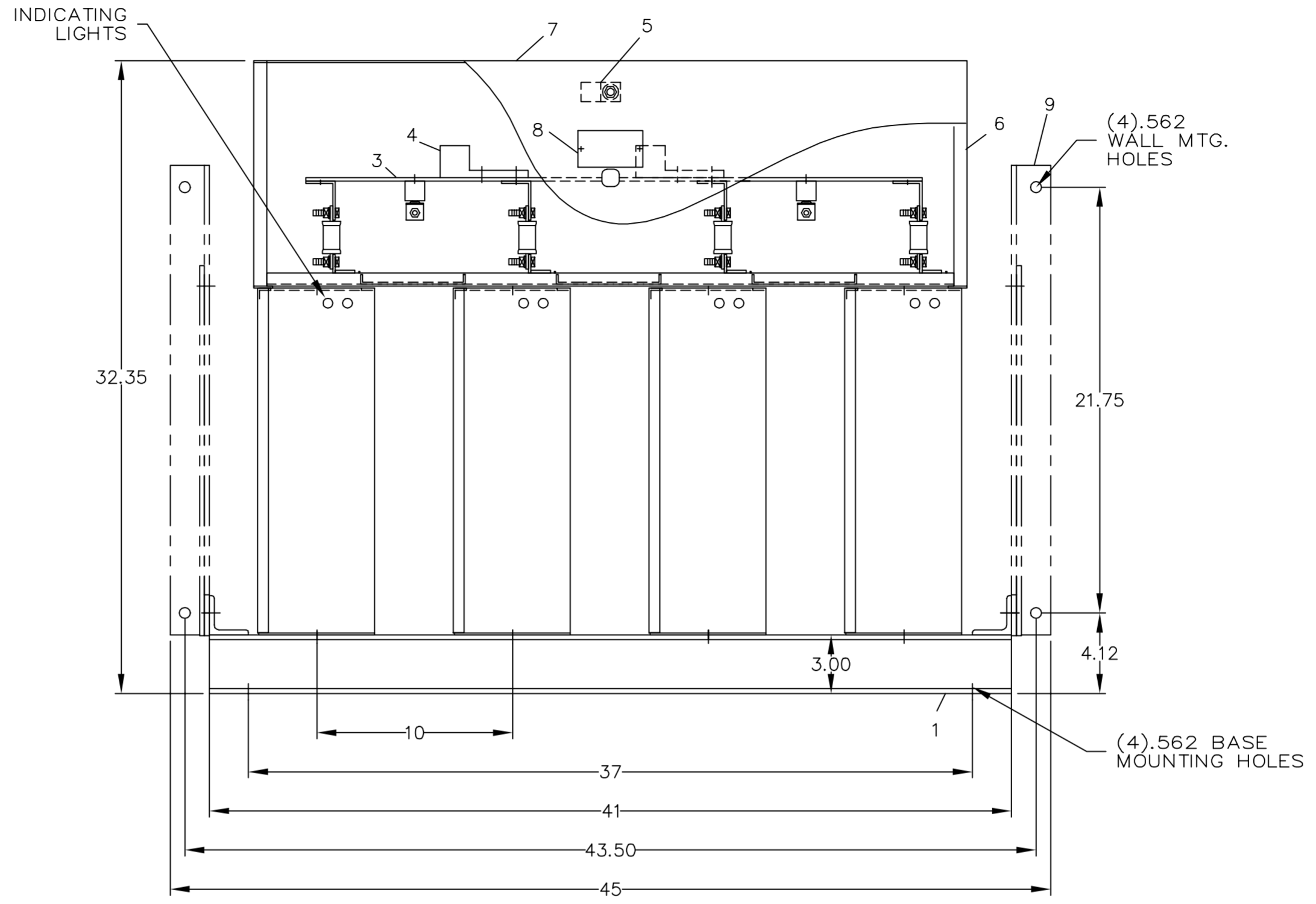
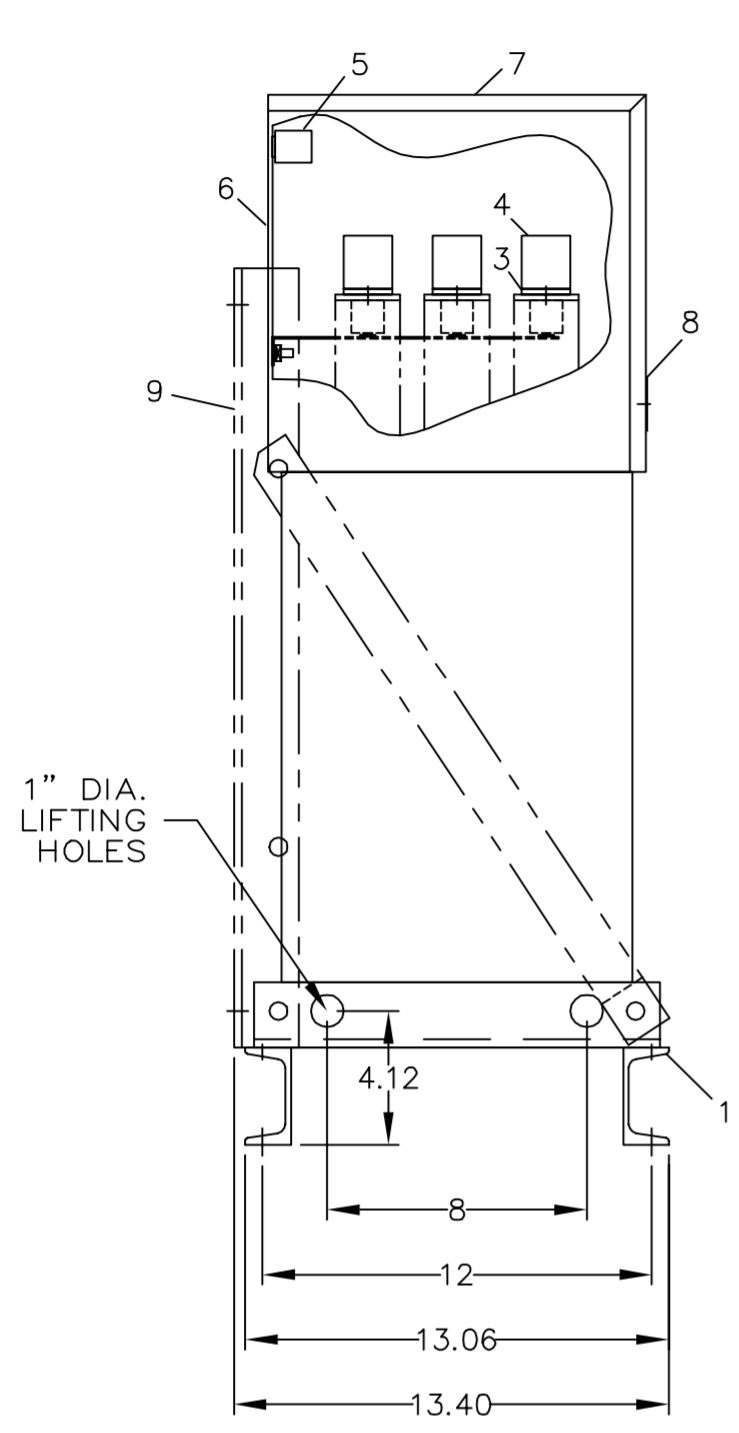
65L939TT2

SHT 1

REV 1

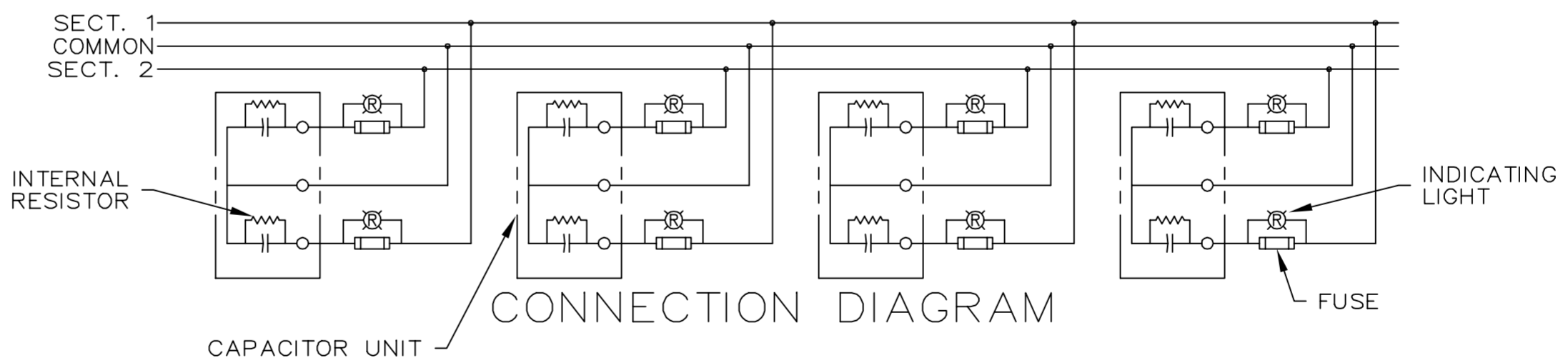
1

REVISIONS			
REV	DESCRIPTION	DATE	APPROVED
1	UPDATE TO AUTOCAD		EJM



NOMENCLATURE

- 1. ALUMINUM BASE FRAME
- 2. CAPACITOR UNIT
- 3. COPPER BUS BARS
- 4. LINE TERMINAL - #4/0 TO 600 MCM
- 5. GROUND TERMINAL - #6AWG TO 250 MCM
- 6. BUS ENCLOSURE
- 7. ACCESS COVER
- 8. RATING NAMEPLATE
- 9. OPTIONAL FIELD ASSEMBLED WALL MTG. FRAME



CAT 65L939TT2 SERNO
 KVAR 400 60Hz 1ph
 VOLT 480 DIAG 186C3233GG
 CONN COM CTR
 Read instructions: GEH-2728

SIGNATURES	DATE
DRAWN E.McGINN	9-30-93
CHECKED	
ENGR	
ISSUED	9-30-93
CAD SYS. NO.	
AUTOCAD	



INDUSTRIAL SYSTEMS
FORT EDWARD, N.Y., U.S.A.

OUTLINE
65L939TT2

FIRST MADE FOR:

SIZE C	FSCM NO.	DWG NO. 65L939TT2	REV 1
SCALE	SHEET 1		CONT ON SHT -

413
DISTR TO