

4

3

2

C

SIZE DWG NO.

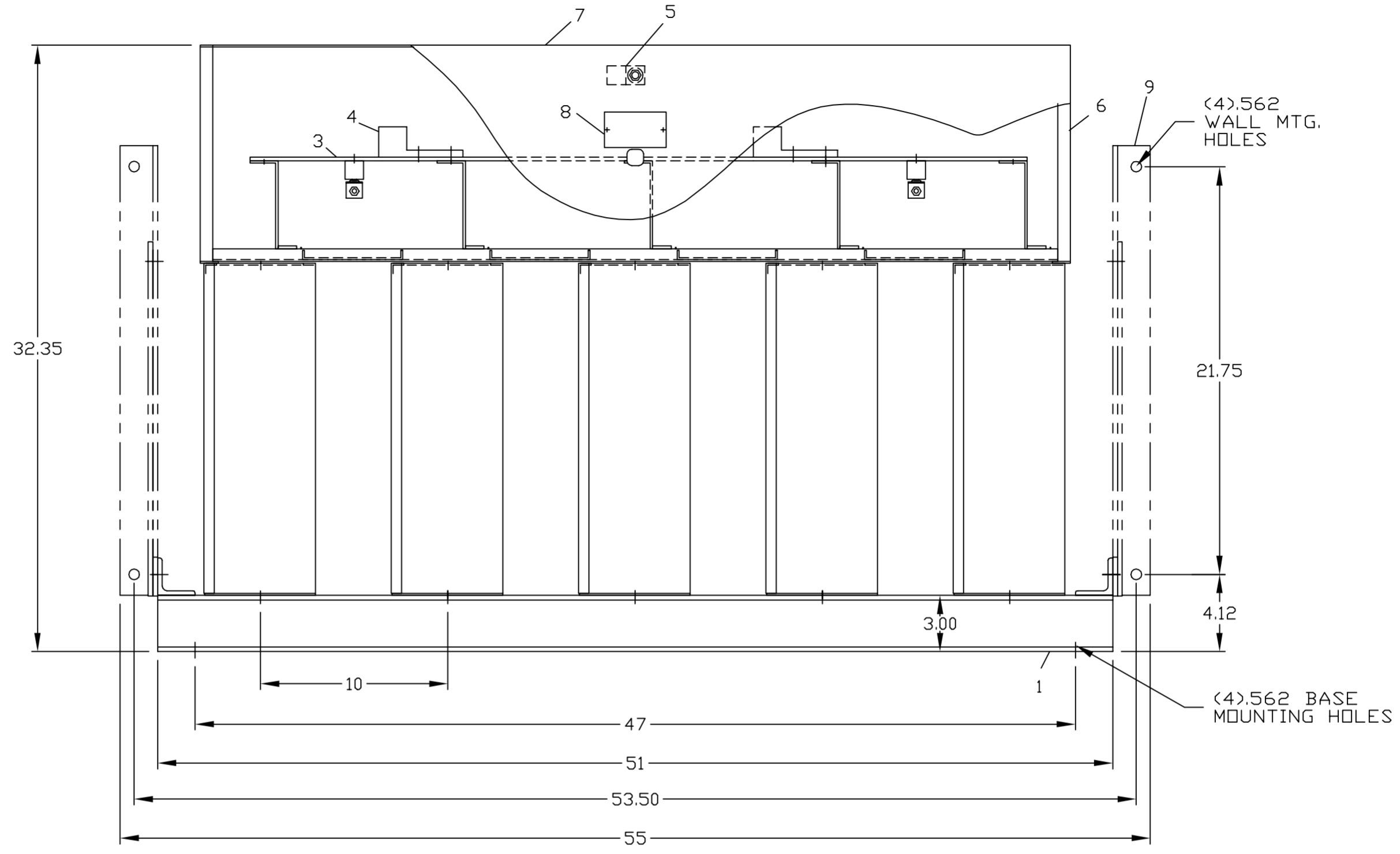
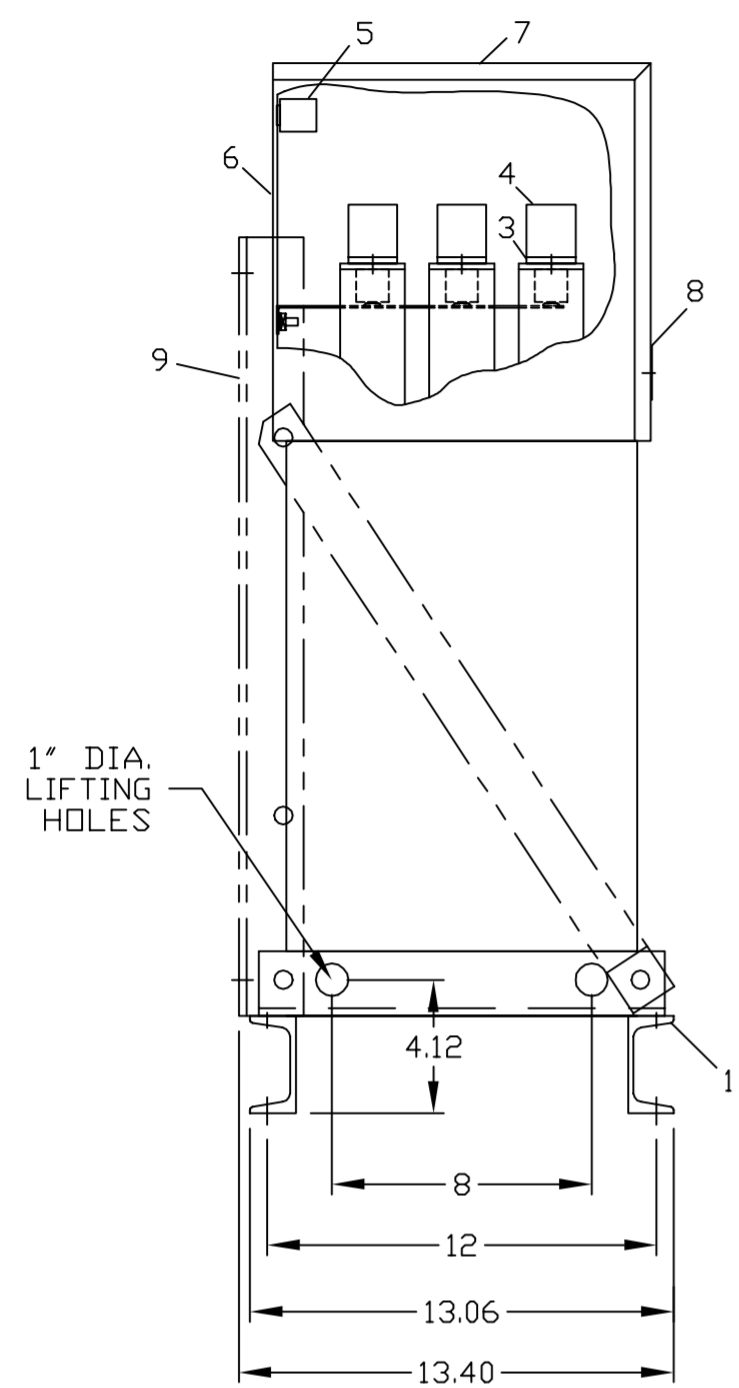
65L940TA2

SHT 1

REV 1

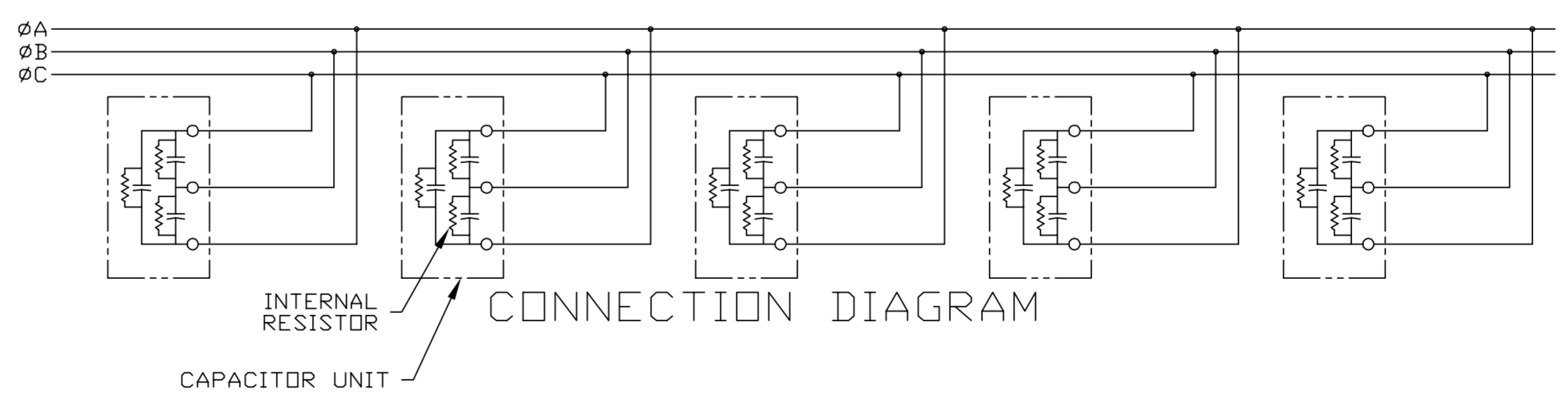
1

| REVISIONS | | | |
|-----------|-------------------|------|----------|
| REV | DESCRIPTION | DATE | APPROVED |
| 1 | UPDATE TO AUTOCAD | | FWL |



NOMENCLATURE

- 1. ALUMINUM BASE FRAME
- 2. CAPACITOR UNIT
- 3. COPPER BUS BARS
- 4. LINE TERMINAL - #4/0 TO 600 MCM
- 5. GROUND TERMINAL - #6AWG TO 250 MCM
- 6. BUS ENCLOSURE
- 7. ACCESS COVER
- 8. RATING NAMEPLATE
- 9. OPTIONAL FIELD ASSEMBLED WALL MTG. FRAME



CAT 65L940TA2 SERNO
 KVAR 425 60Hz 3ph
 VOLT 480 DIAG 186C3233HM
 CONN DELTA
 Read instructions: GEH-2728

| | | | | | |
|----------------|--|---------|----------|---|---------------|
| SIGNATURES | | DATE | | INDUSTRIAL SYSTEMS FORT EDWARD, N.Y., U.S.A. OUTLINE 65L940TA2 FIRST MADE FOR: | |
| DRAWN E.McGINN | | 10/1/92 | | | |
| CHECKED | | | | | |
| ENGR | | | | | |
| ISSUED | | 9/30/93 | | | |
| CAD SYS. NO. | | SIZE C | FSCM NO. | DWG NO. 65L940TA2 | REV 1 |
| AUTOCAD | | SCALE | SHEET 1 | | CONT ON SHT - |

DISTR TO 413