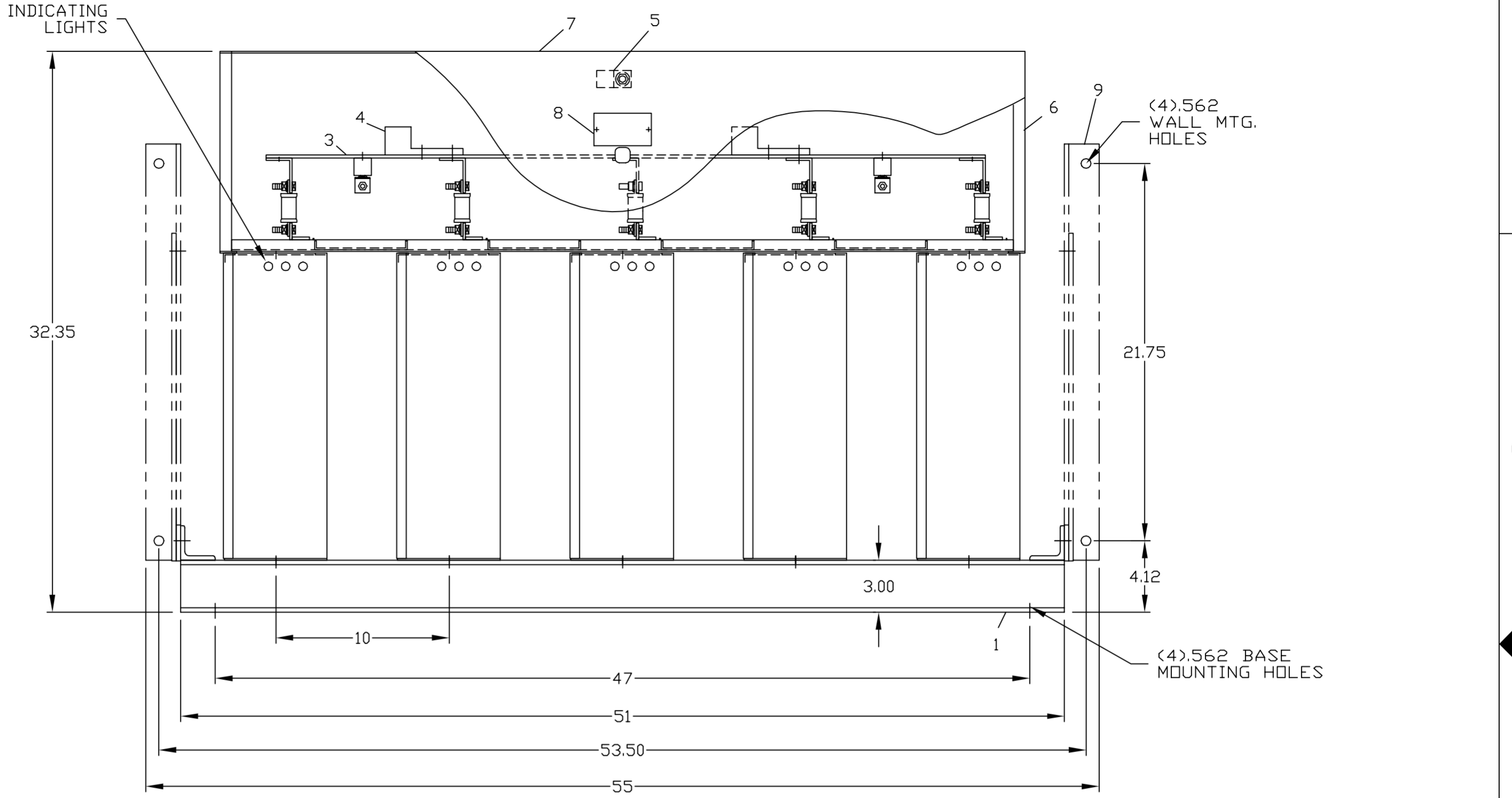
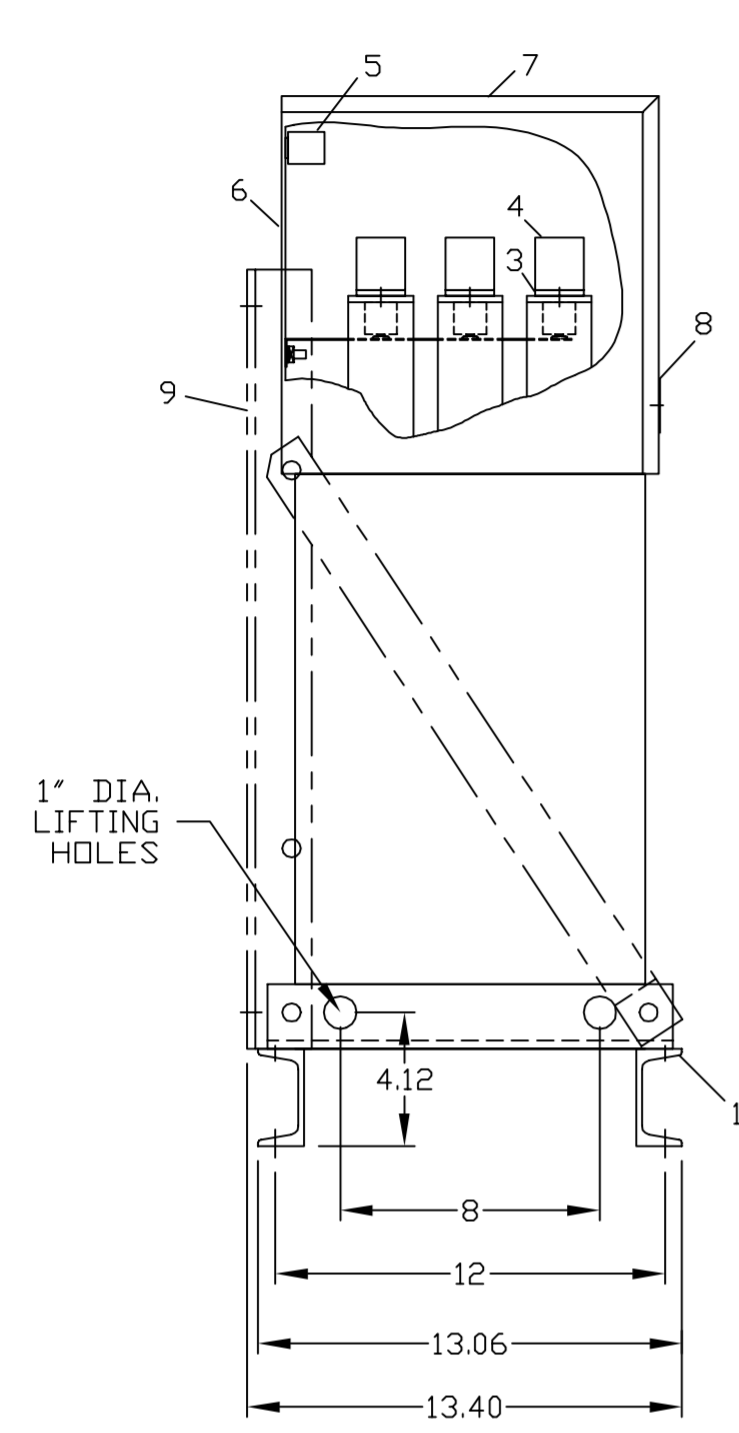
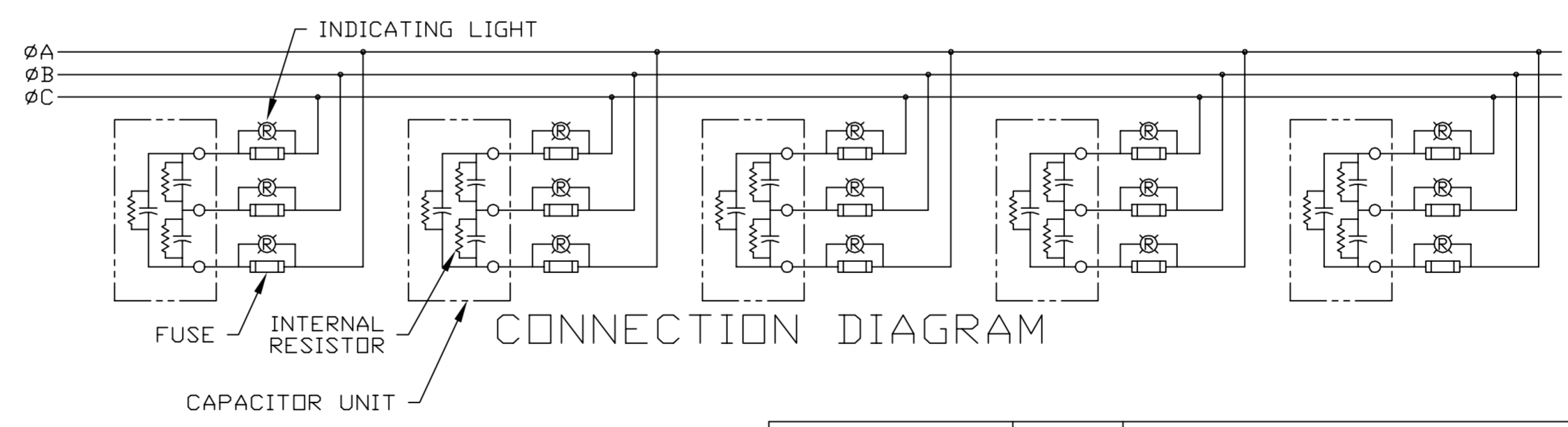


REVISIONS			
REV	DESCRIPTION	DATE	APPROVED
1	UPDATE TO AUTOCAD		FWL



- NOMENCLATURE**
- ALUMINUM BASE FRAME
 - CAPACITOR UNIT
 - COPPER BUS BARS
 - LINE TERMINAL - #4/0 TO 600 MCM
 - GROUND TERMINAL - #6AWG TO 250 MCM
 - BUS ENCLOSURE
 - ACCESS COVER
 - RATING NAMEPLATE
 - OPTIONAL FIELD ASSEMBLED WALL MTG. FRAME



CAT 65L940TE2 SERNO
 KVAR 425 60Hz 3ph
 VOLT 480 DIAG 186C3233HB
 CONN DELTA
 Read instructions: GEH-2728

SIGNATURES	DATE
DRAWN E.McGINN	10/1/92
CHECKED	
ENGR	
ISSUED	9/30/93
CAD SYS. NO.	
AUTOCAD	

INDUSTRIAL SYSTEMS
 FORT EDWARD, N.Y., U.S.A.

OUTLINE
 65L940TE2

FIRST MADE FOR:

SIZE	FSCM NO.	DWG. NO.	REV
C		65L940TE2	1
SCALE	SHEET 1		CONT ON SHT -

413
DISTR TO