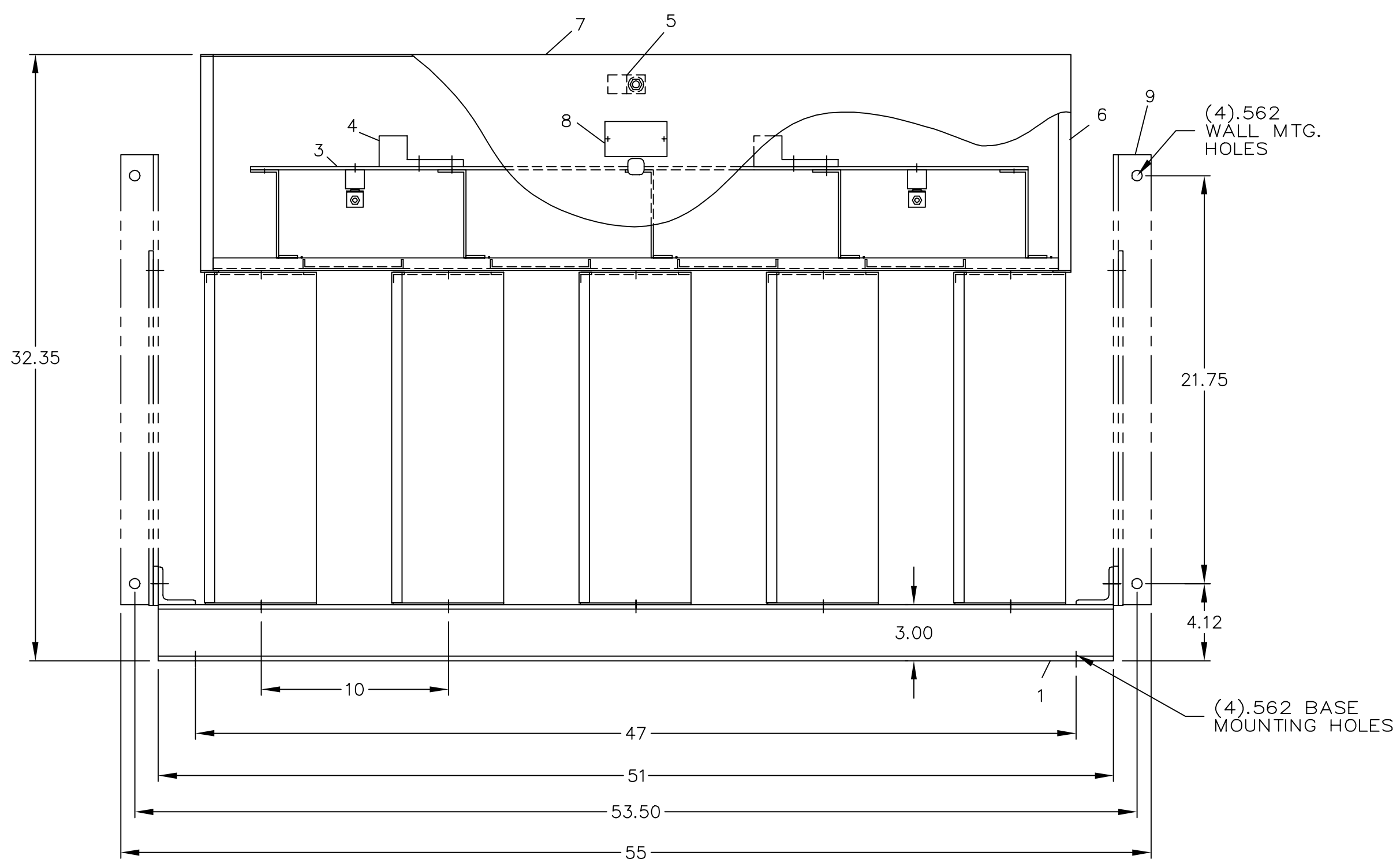
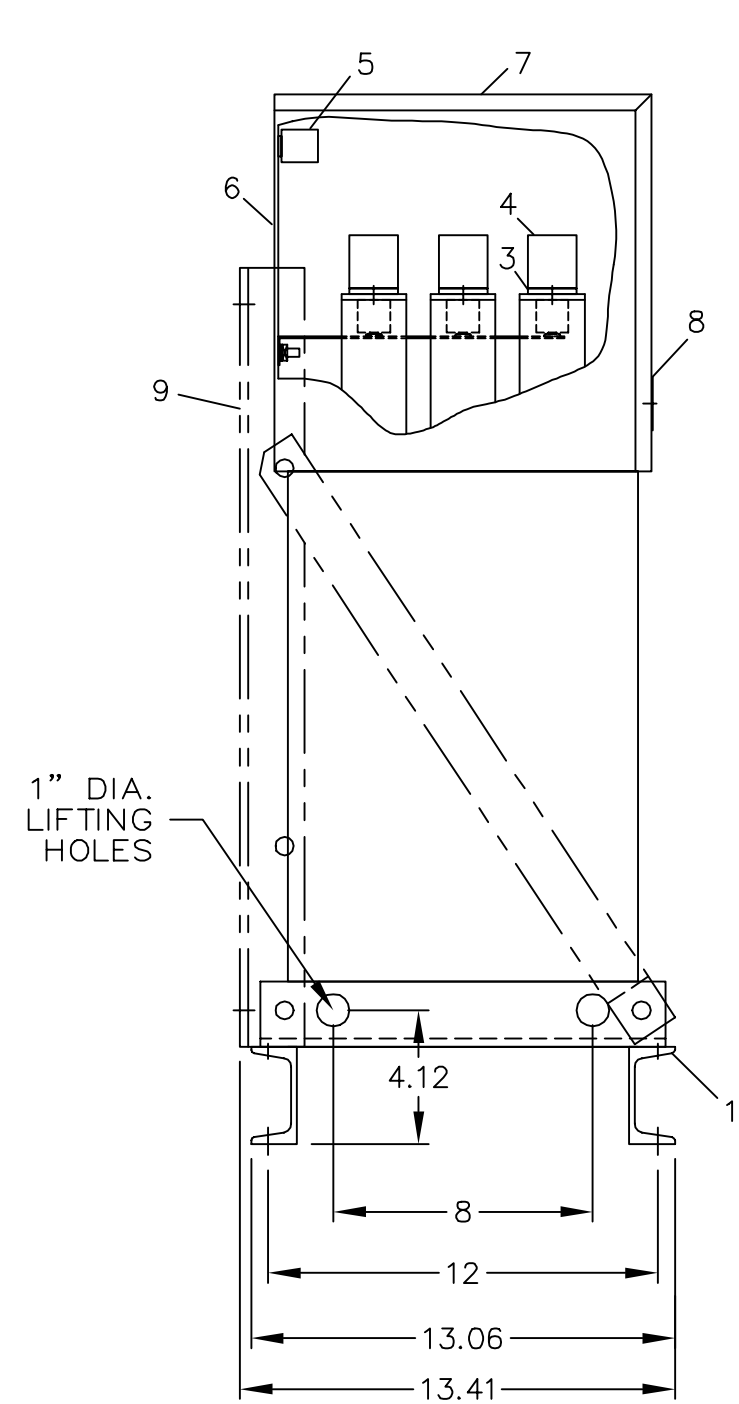
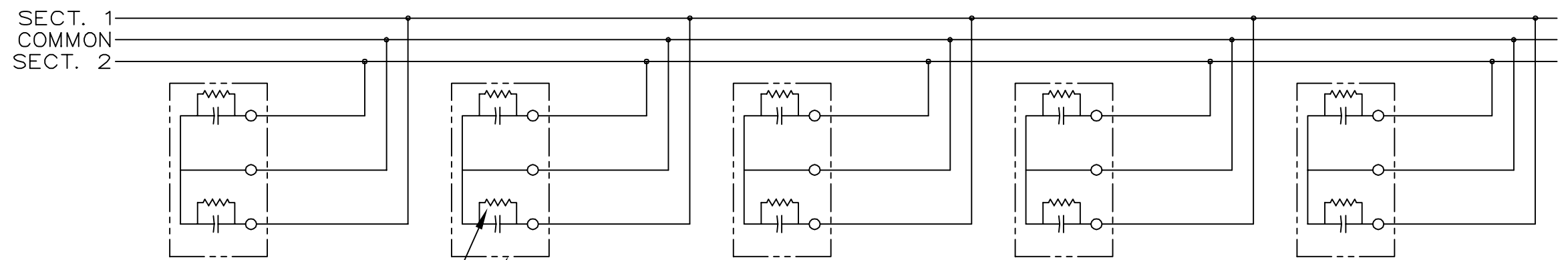


REVISIONS			
REV	DESCRIPTION	DATE	APPROVED
1	UPDATE TO AUTOCAD		FWL



- NOMENCLATURE**
1. ALUMINUM BASE FRAME
  2. CAPACITOR UNIT
  3. COPPER BUS BARS
  4. LINE TERMINAL - #4/0 TO 600 MCM
  5. GROUND TERMINAL - #6AWG TO 250 MCM
  6. BUS ENCLOSURE
  7. ACCESS COVER
  8. RATING NAMEPLATE
  9. OPTIONAL FIELD ASSEMBLED WALL MTG. FRAME



INTERNAL RESISTOR  
CAPACITOR UNIT  
**CONNECTION DIAGRAM**

CAT 65L940TR2 SERNO  
 KVAR 425 60Hz 1ph  
 VOLT 480 DIAG 186C3233HN  
 CONN COM CTR  
 Read instructions: GEH-2728

SIGNATURES		DATE
DRAWN E.McGINN		10/2/92
CHECKED		
ENGR		
ISSUED		9/30/93
CAD SYS. NO.		
AUTOCAD		

**INDUSTRIAL SYSTEMS**  
 FORT EDWARD, N.Y., U.S.A.

OUTLINE  
 65L940TR2

FIRST MADE FOR:

SIZE	FSCM NO.	DWG. NO.	REV
C		65L940TR2	1
SCALE	SHEET 1		CONT ON SHT -

413  
DISTR TO