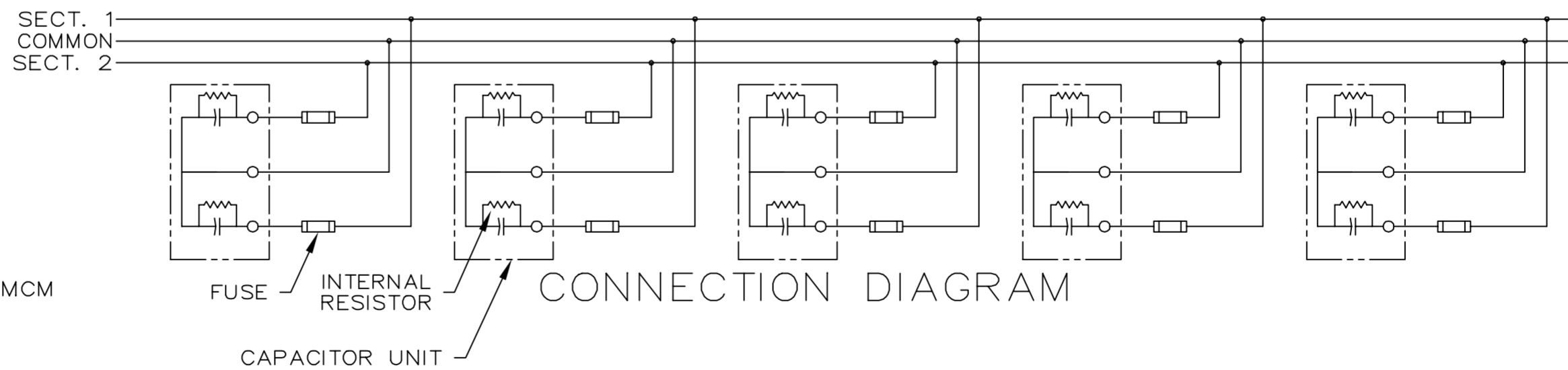
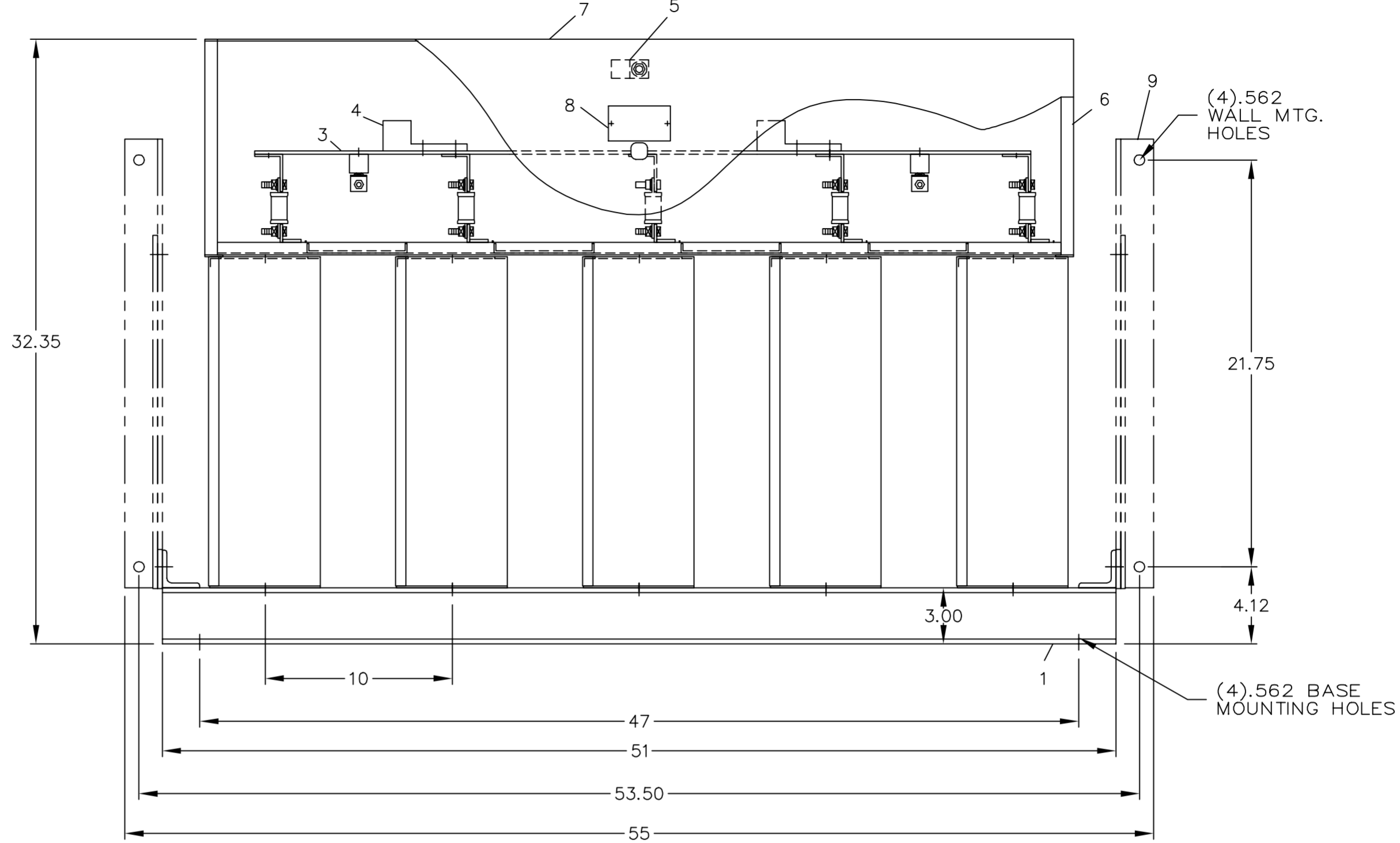
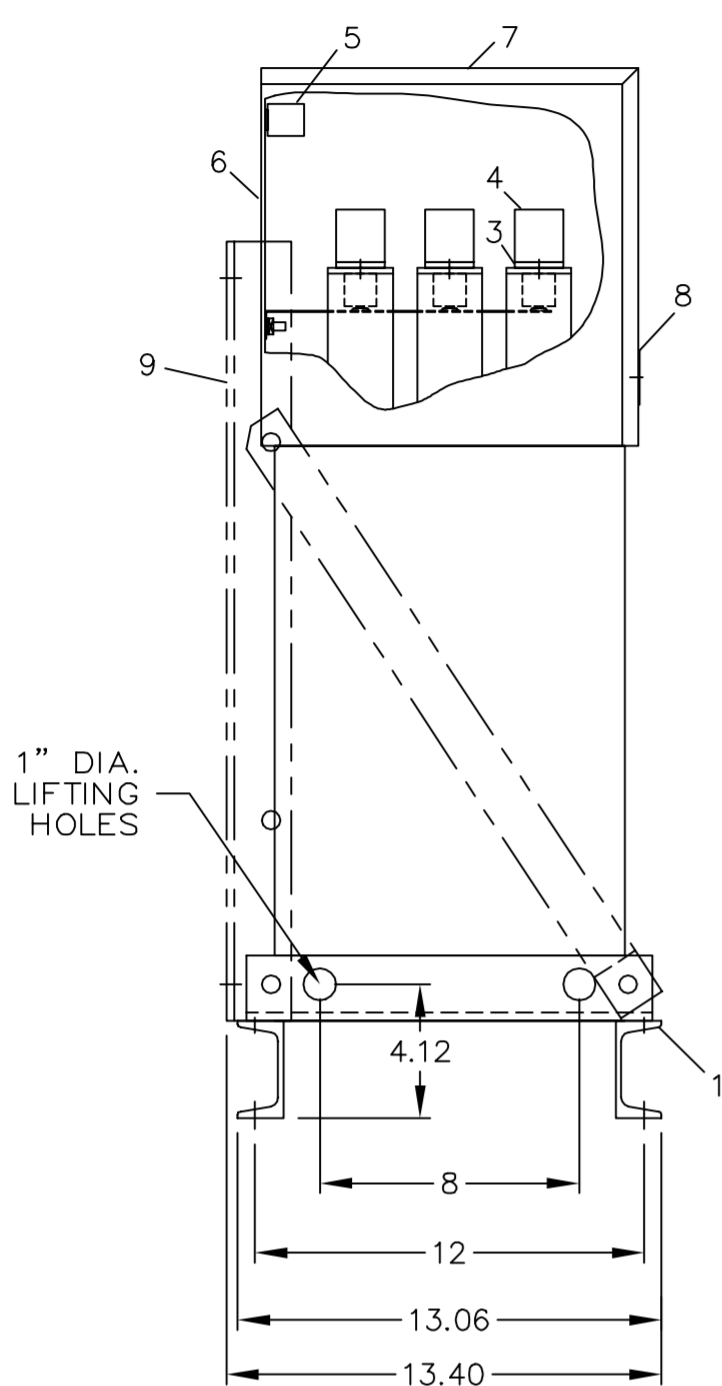


4

3

2

REVISIONS			
REV	DESCRIPTION	DATE	APPROVED
1	UPDATE TO AUTOCAD		FWL



NOMENCLATURE

- 1. ALUMINUM BASE FRAME
- 2. CAPACITOR UNIT
- 3. COPPER BUS BARS
- 4. LINE TERMINAL - #4/0 TO 600 MCM
- 5. GROUND TERMINAL - #6AWG TO 250 MCM
- 6. BUS ENCLOSURE
- 7. ACCESS COVER
- 8. RATING NAMEPLATE
- 9. OPTIONAL FIELD ASSEMBLED WALL MTG. FRAME

CAT	65L940TS2	SERNO	
KVAR	425	60Hz	1ph
VOLT	480	DIAG	186C3233HK
		CONN	COM CTR

Read instructions: GEH-2728

SIGNATURES		DATE		<b>INDUSTRIAL SYSTEMS</b> FORT EDWARD, N.Y., U.S.A.  OUTLINE 65L940TS2  FIRST MADE FOR:
DRAWN E.McGINN		10/1/92		
CHECKED				
ENGR				
ISSUED		9/30/93		
CAD SYS. NO.		SIZE C	FSCM NO.	DWG NO. 65L940TS2
AUTOCAD		SCALE	SHEET 1	CONT ON SHT -

413

DISTR TO

4

3

2

1