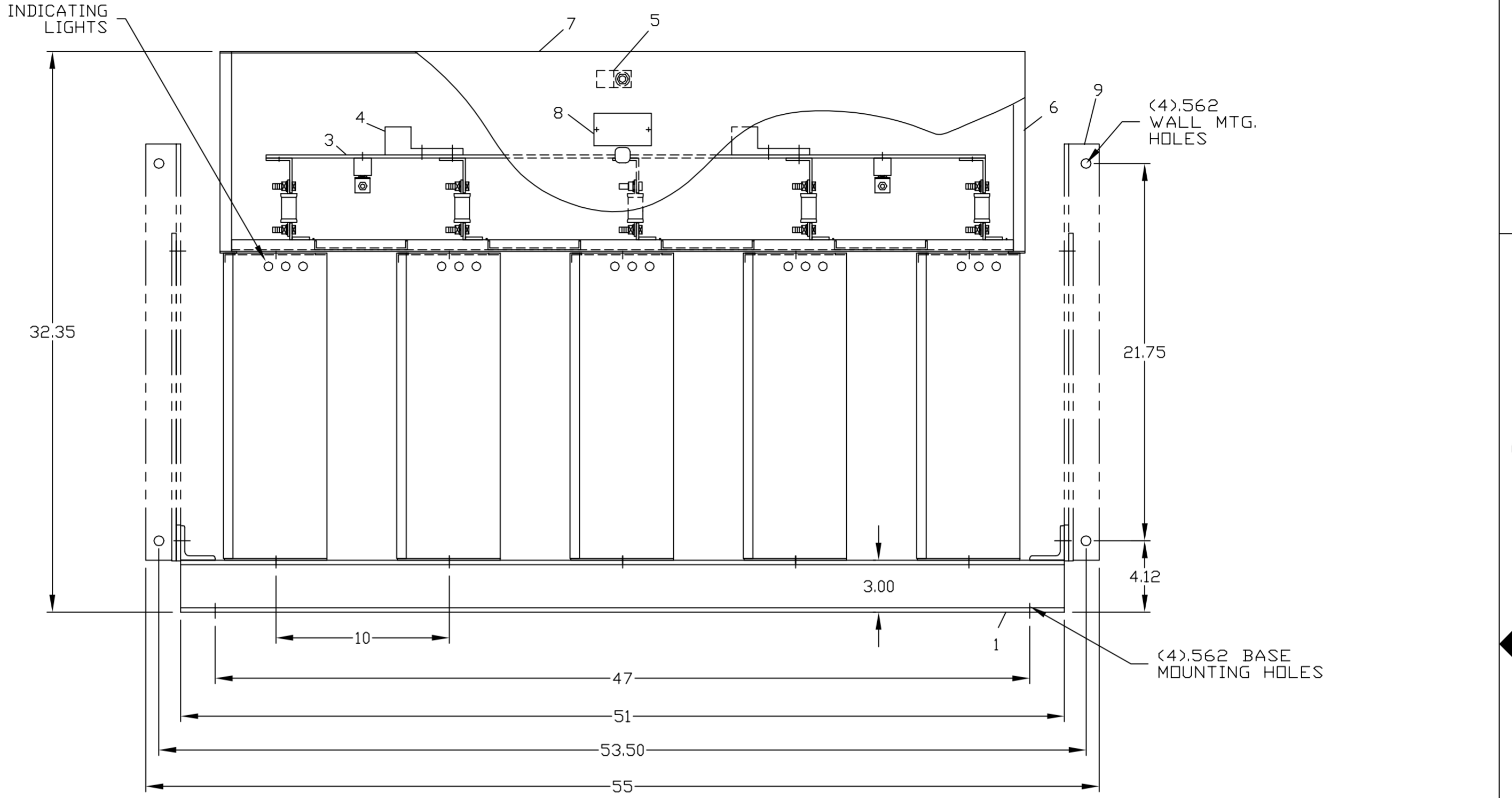
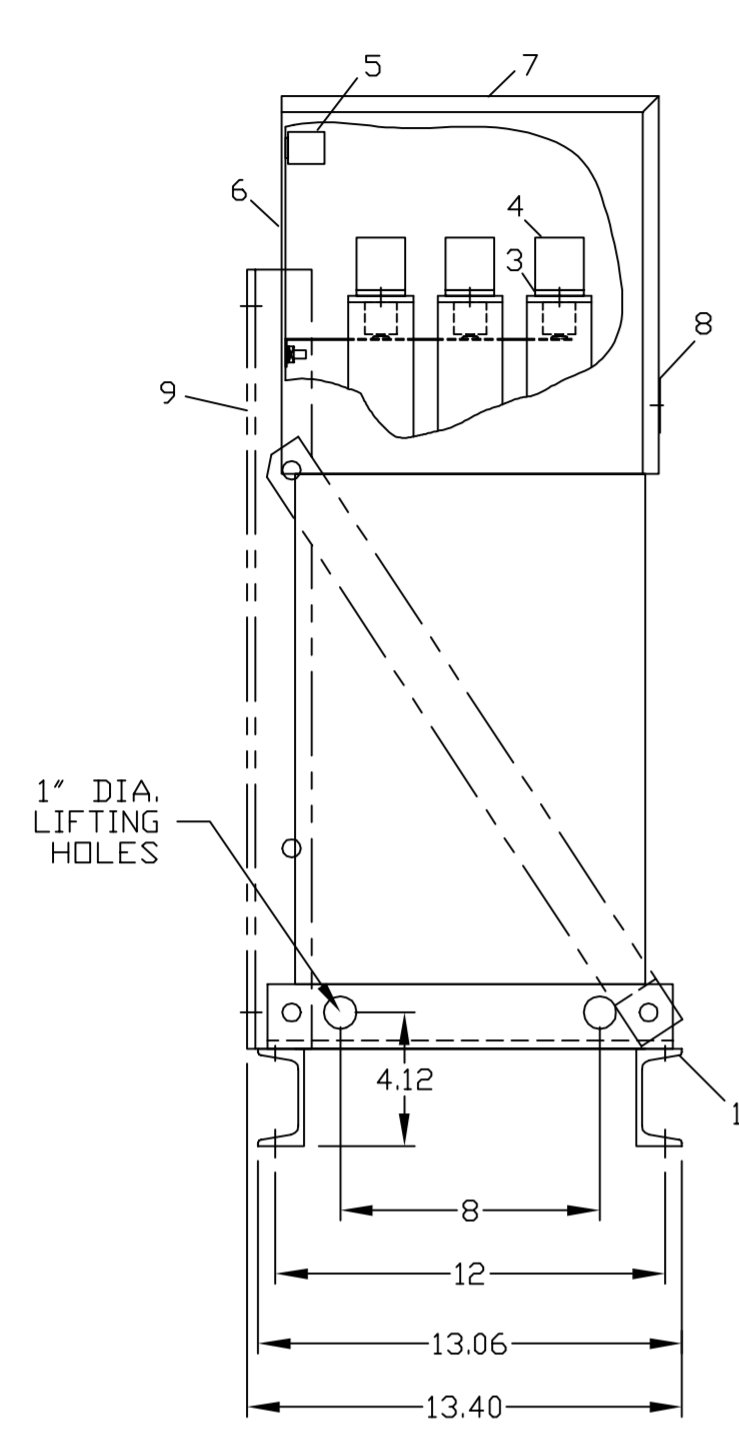
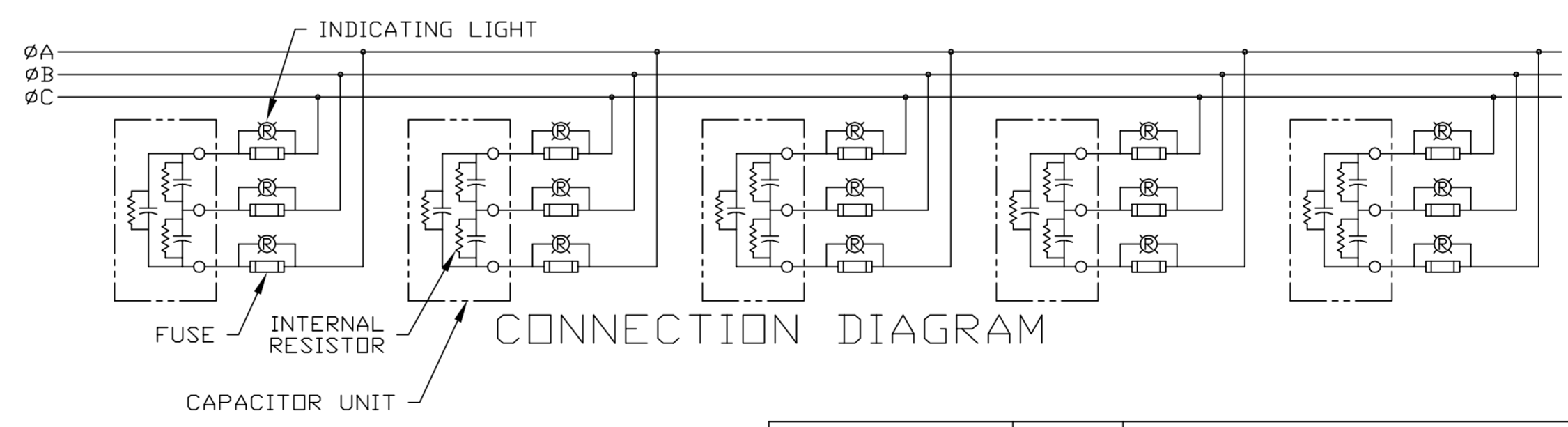


| REVISIONS | | | |
|-----------|-------------------|------|----------|
| REV | DESCRIPTION | DATE | APPROVED |
| 1 | UPDATE TO AUTOCAD | | FWL |



- NOMENCLATURE**
- ALUMINUM BASE FRAME
 - CAPACITOR UNIT
 - COPPER BUS BARS
 - LINE TERMINAL - #4/0 TO 600 MCM
 - GROUND TERMINAL - #6AWG TO 250 MCM
 - BUS ENCLOSURE
 - ACCESS COVER
 - RATING NAMEPLATE
 - OPTIONAL FIELD ASSEMBLED WALL MTG. FRAME



CAT 65L941TE2 SERNO
 KVAR 450 60Hz 3ph
 VOLT 480 DIAG 186C3233HB
 CONN DELTA
 Read instructions: GEH-2728

| | | |
|----------------|--|---------|
| SIGNATURES | | DATE |
| DRAWN E.McGINN | | 10/1/92 |
| CHECKED | | |
| ENGR | | |
| ISSUED | | 9/30/93 |
| CAD SYS. NO. | | |
| AUTOCAD | | |

INDUSTRIAL SYSTEMS
 FORT EDWARD, N.Y., U.S.A.

OUTLINE
 65L941TE2

FIRST MADE FOR:

| | | | |
|-------|----------|-----------|---------------|
| SIZE | FSCM NO. | DWG NO. | REV |
| C | | 65L941TE2 | 1 |
| SCALE | SHEET 1 | | CONT ON SHT - |

413
DISTR TO