

4

3

2

C

SIZE DWG NO.

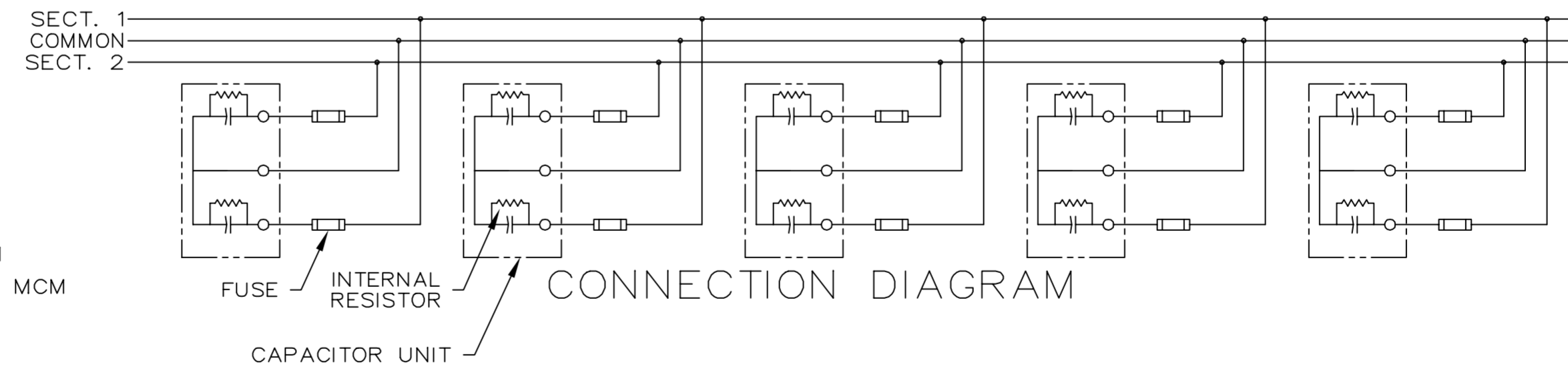
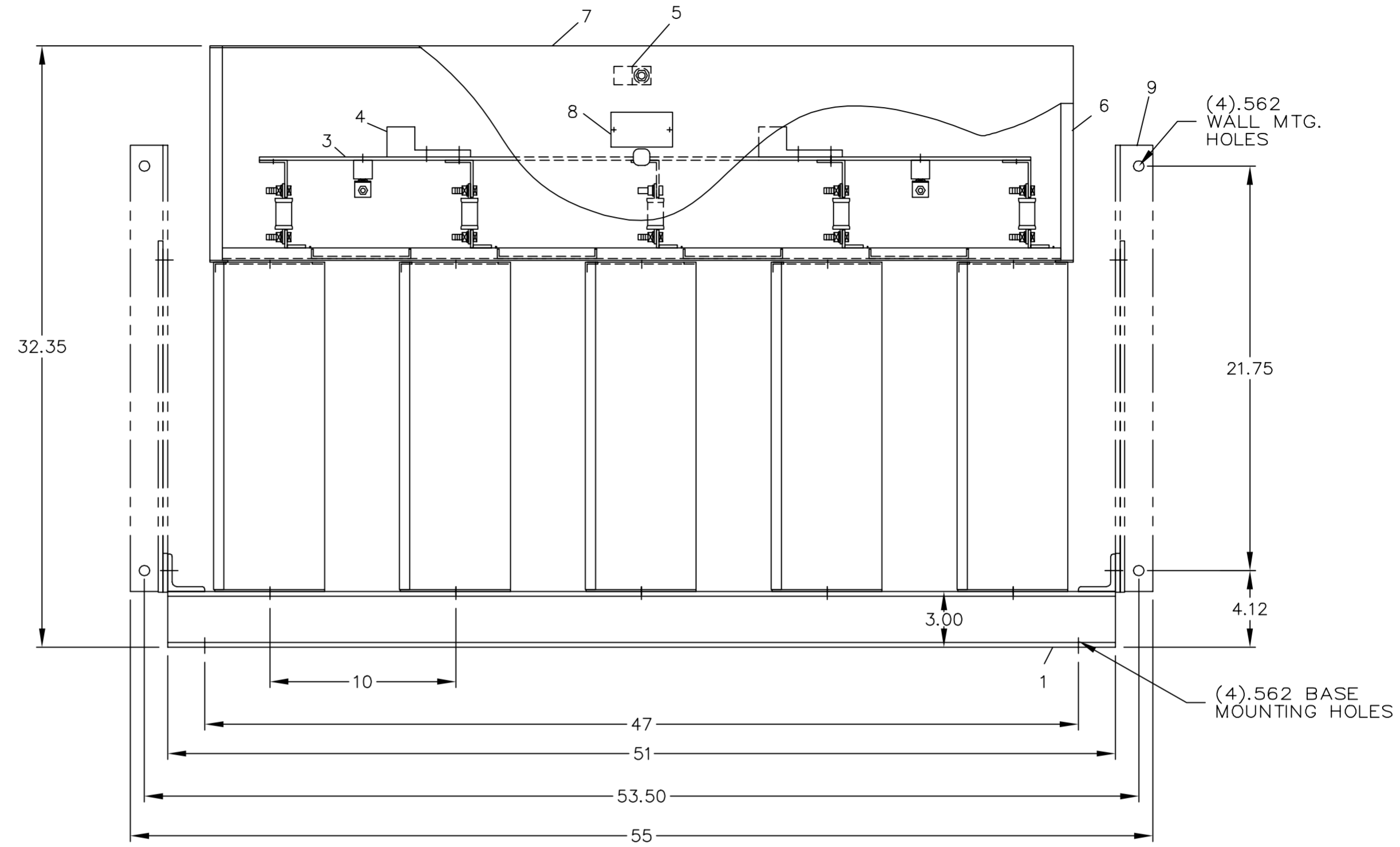
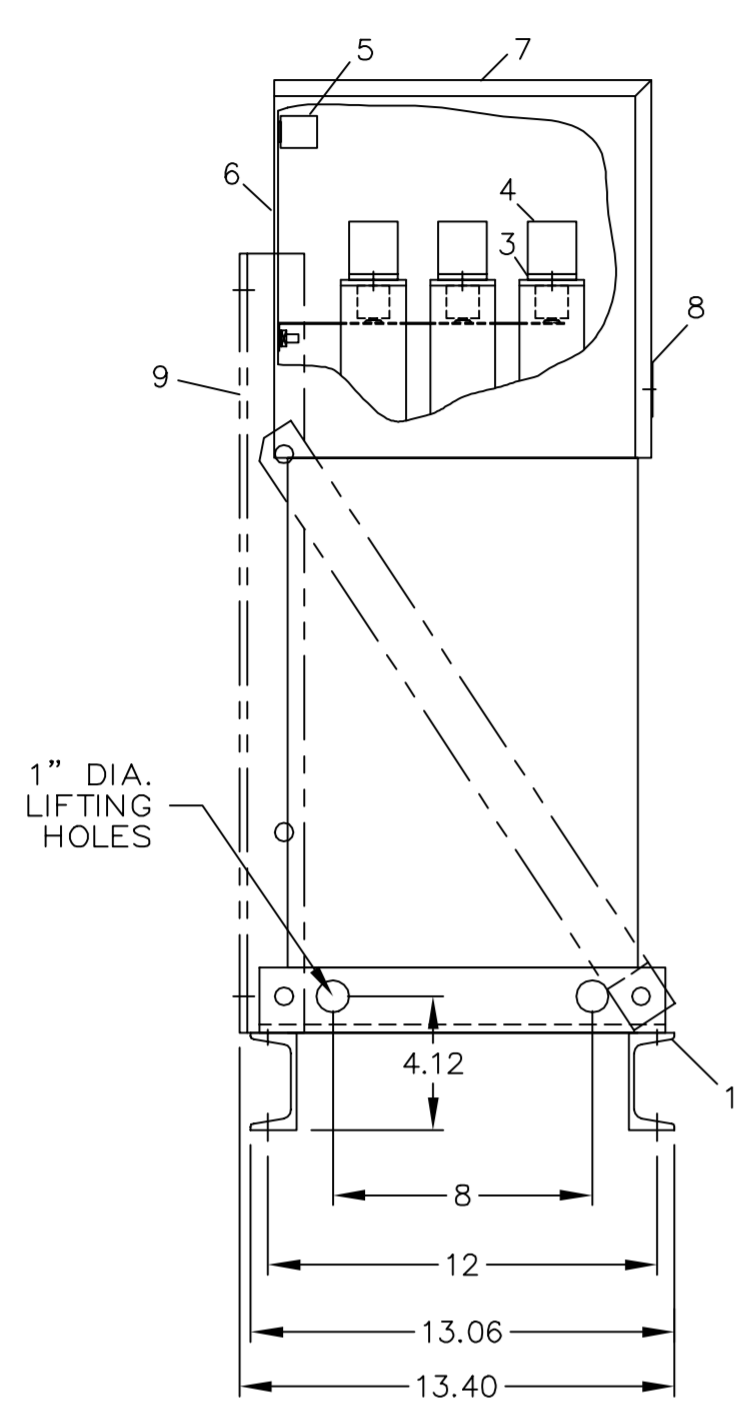
65L941TS2

SHT 1

REV 1

1

REVISIONS			
REV	DESCRIPTION	DATE	APPROVED
1	UPDATE TO AUTOCAD		FWL



NOMENCLATURE

- 1. ALUMINUM BASE FRAME
- 2. CAPACITOR UNIT
- 3. COPPER BUS BARS
- 4. LINE TERMINAL - #4/0 TO 600 MCM
- 5. GROUND TERMINAL - #6AWG TO 250 MCM
- 6. BUS ENCLOSURE
- 7. ACCESS COVER
- 8. RATING NAMEPLATE
- 9. OPTIONAL FIELD ASSEMBLED WALL MTG. FRAME

CAT 65L941TS2 SERNO  
 KVAR 450 60Hz 1ph  
 VOLT 480 DIAG 186C3233HK  
 CONN COM CTR  
 Read instructions: GEH-2728

SIGNATURES		DATE		 <b>INDUSTRIAL SYSTEMS</b> <b>FORT EDWARD, N.Y., U.S.A.</b>  <b>OUTLINE</b> <b>65L941TS2</b>  FIRST MADE FOR:	413
DRAWN E.McGINN		10/1/92			
CHECKED					
ENGR					
ISSUED		9/30/93			
CAD SYS. NO.		SIZE C	FSCM NO.	DWG NO. 65L941TS2	REV 1
AUTOCAD		SCALE	SHEET 1		CONT ON SHT -