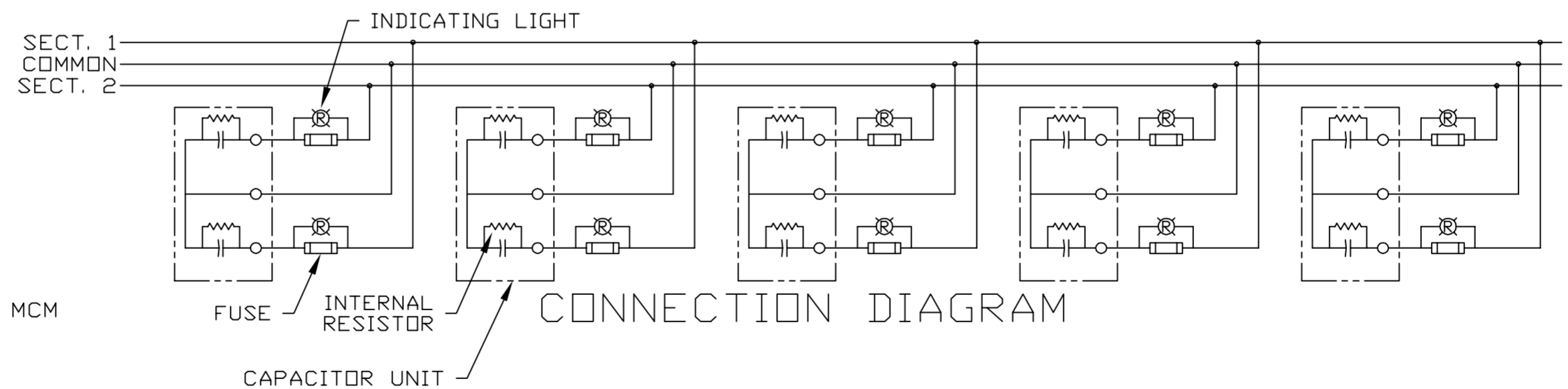
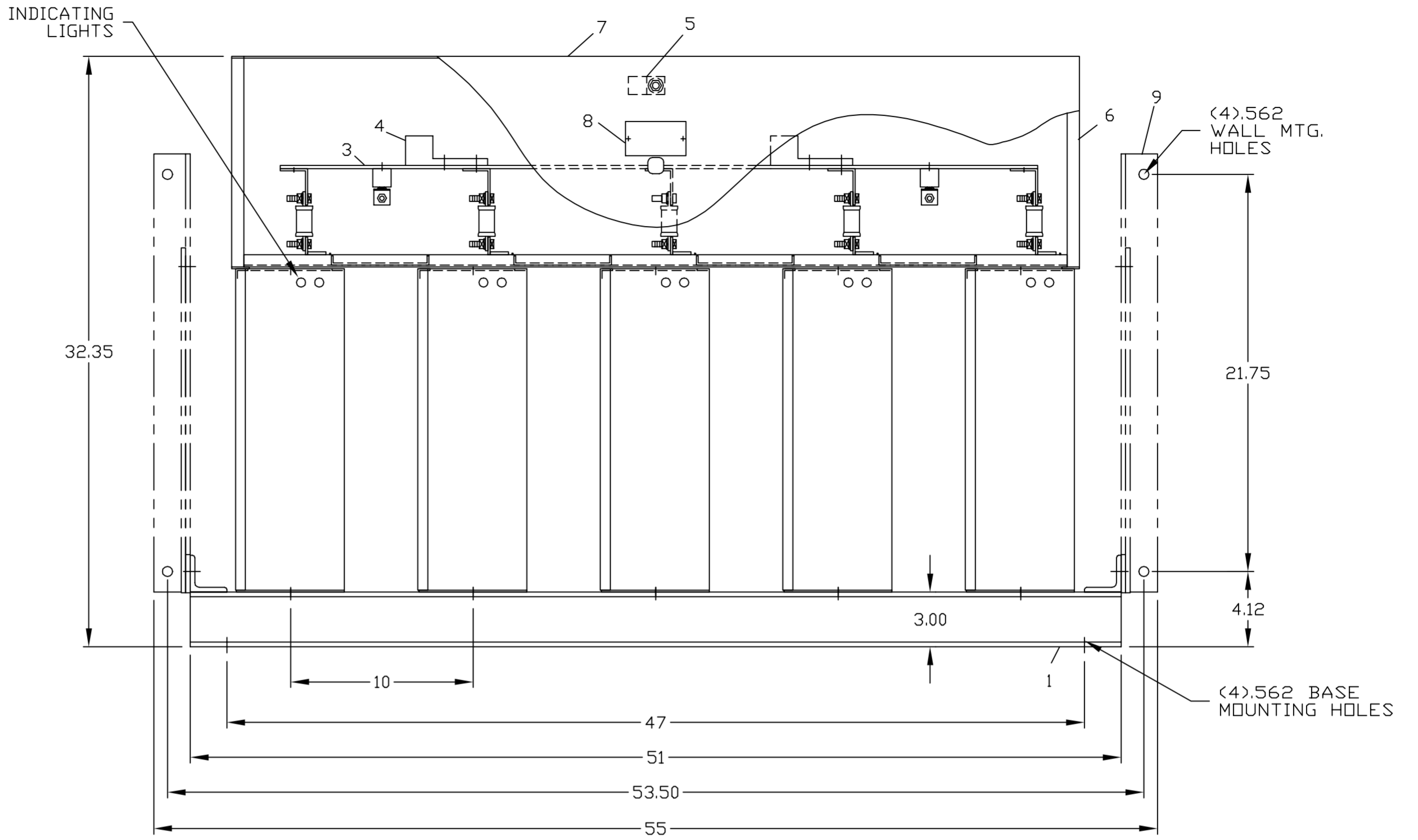
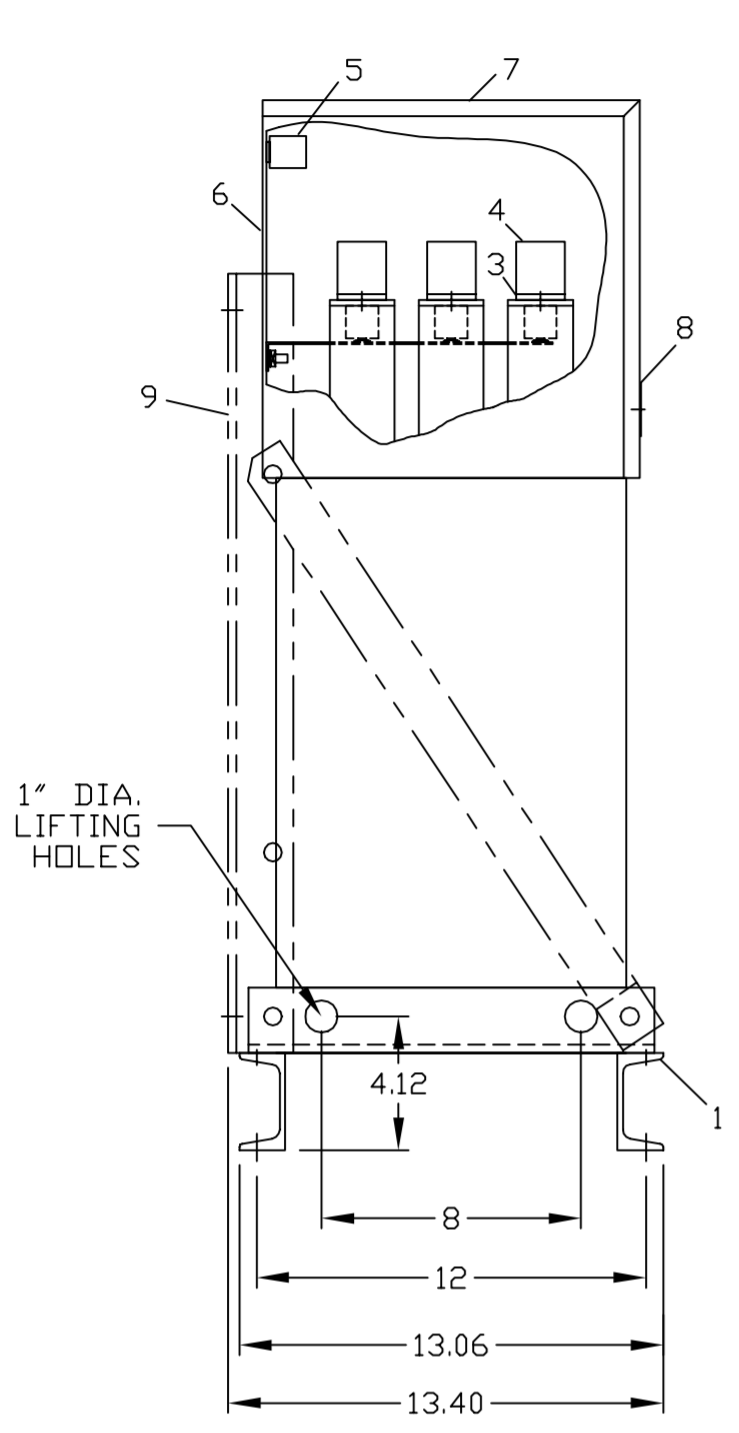


REVISIONS			
REV	DESCRIPTION	DATE	APPROVED
1	UPDATE TO AUTOCAD		FWL



**NOMENCLATURE**

1. ALUMINUM BASE FRAME
2. CAPACITOR UNIT
3. COPPER BUS BARS
4. LINE TERMINAL - #4/0 TO 600 MCM
5. GROUND TERMINAL - #6AWG TO 250 MCM
6. BUS ENCLOSURE
7. ACCESS COVER
8. RATING NAMEPLATE
9. OPTIONAL FIELD ASSEMBLED WALL MTG. FRAME

CAT 65L941TT2 SERNO  
 KVAR 450 60Hz 1ph  
 VOLT 480 DIAG 186C3233HG  
 CONN COM CTR  
 Read instructions: GEH-2728

SIGNATURES	DATE
DRAWN E.McGINN	10/1/92
CHECKED	
ENGR	
ISSUED	9/30/93
CAD SYS. NO.	
AUTOCAD	

**INDUSTRIAL SYSTEMS**  
 FORT EDWARD, N.Y., U.S.A.

OUTLINE  
 65L941TT2

FIRST MADE FOR:

SIZE	FSCM NO.	DWG NO.	REV
C		65L941TT2	1
SCALE		SHEET 1	CONT ON SHT -

413  
DISTR TO