

4

3

2

C

SIZE DWG NO.

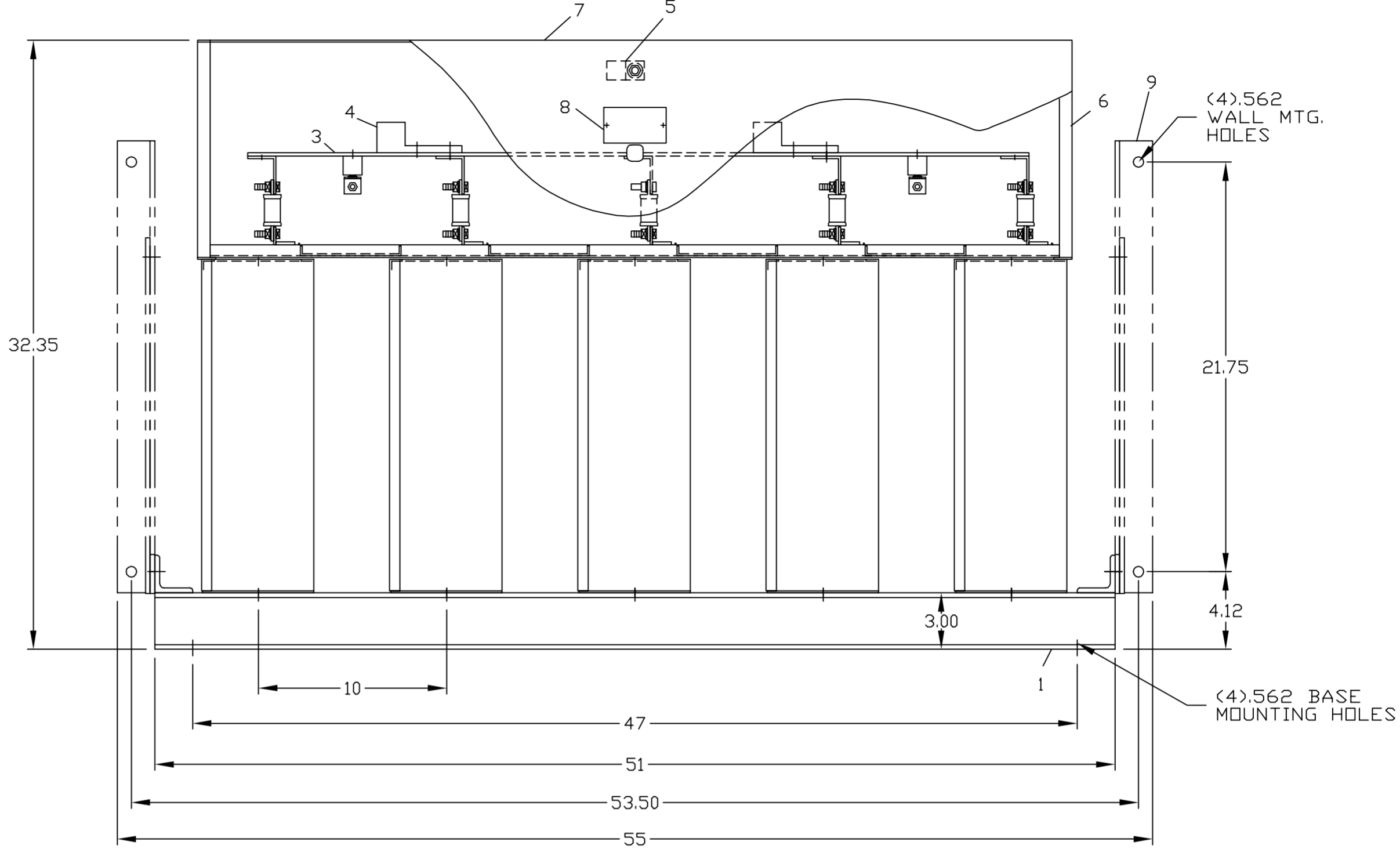
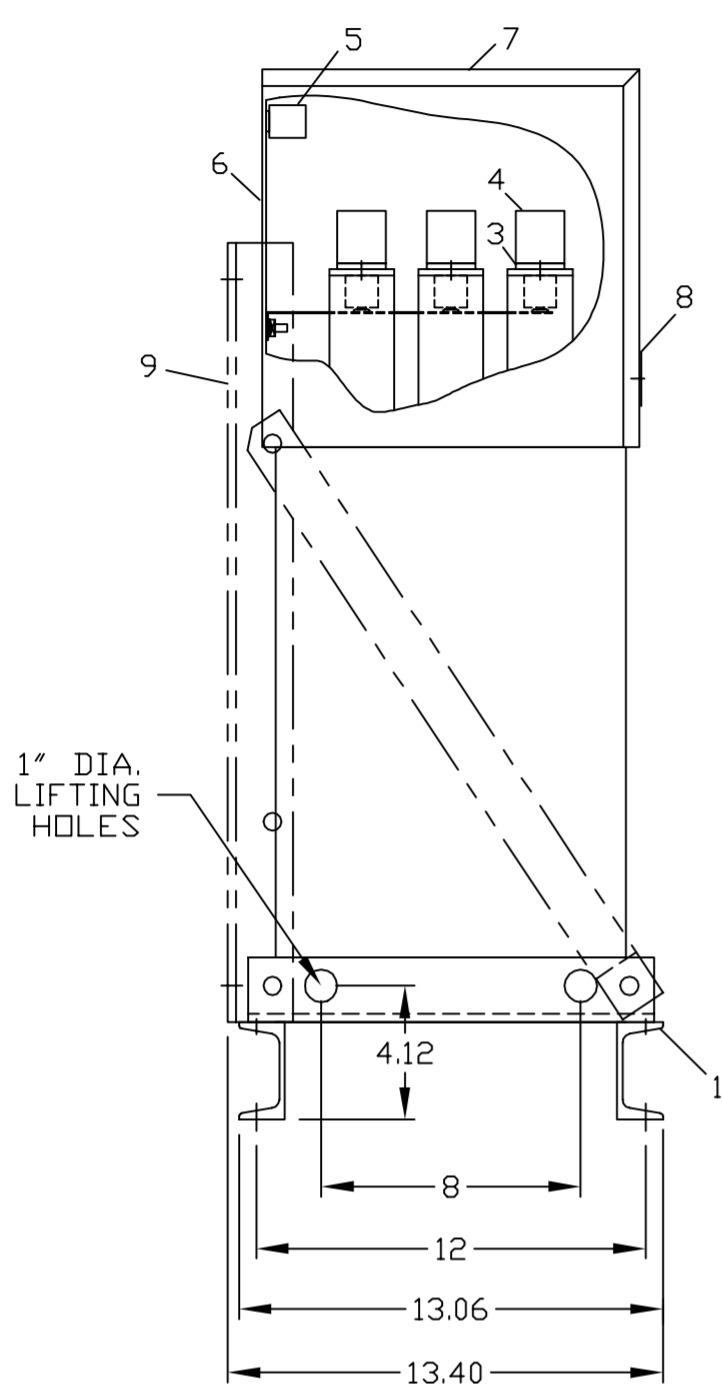
65L942TC2

SHT 1

REV 1

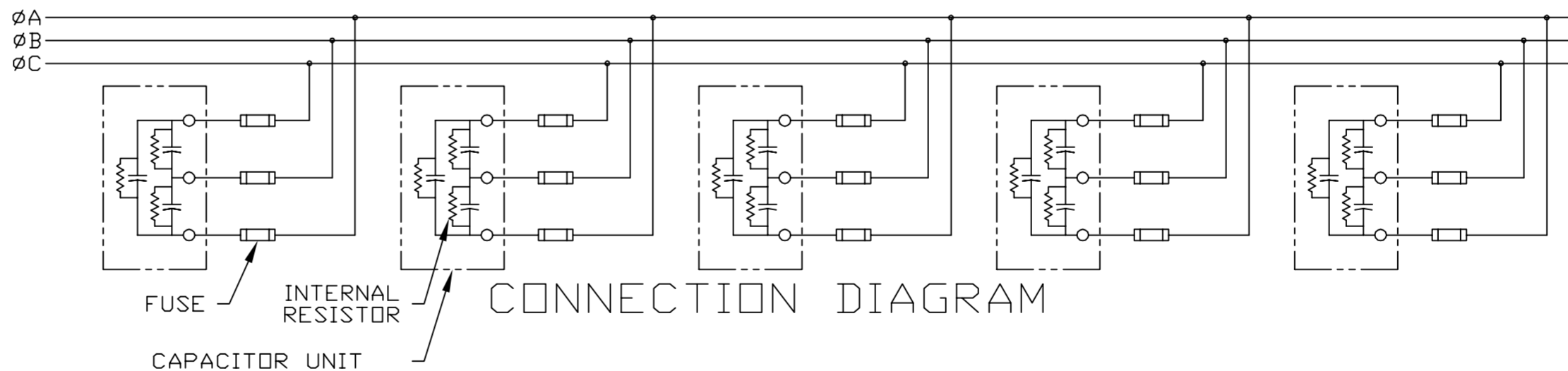
1

| REVISIONS |                   |      |          |
|-----------|-------------------|------|----------|
| REV       | DESCRIPTION       | DATE | APPROVED |
| 1         | UPDATE TO AUTOCAD |      | FWL      |



NOMENCLATURE

- 1. ALUMINUM BASE FRAME
- 2. CAPACITOR UNIT
- 3. COPPER BUS BARS
- 4. LINE TERMINAL - #4/0 TO 600 MCM
- 5. GROUND TERMINAL - #6AWG TO 250 MCM
- 6. BUS ENCLOSURE
- 7. ACCESS COVER
- 8. RATING NAMEPLATE
- 9. OPTIONAL FIELD ASSEMBLED WALL MTG. FRAME



CAT 65L942TC2 SERNO  
 KVAR 475 60Hz 3ph  
 VOLT 480 DIAG 186C3233HD  
 CONN DELTA  
 Read instructions: GEH-2728

|                |         |
|----------------|---------|
| SIGNATURES     | DATE    |
| DRAWN E.McGINN | 10/1/92 |
| CHECKED        |         |
| ENGR           |         |
| ISSUED         | 9/30/93 |
| CAD SYS. NO.   |         |
| AUTOCAD        |         |



INDUSTRIAL SYSTEMS  
FORT EDWARD, N.Y., U.S.A.

OUTLINE  
L65 EQUIPMENT

FIRST MADE FOR:

|        |          |                   |               |
|--------|----------|-------------------|---------------|
| SIZE C | FSCM NO. | DWG NO. 65L942TC2 | REV 1         |
| SCALE  | SHEET 1  |                   | CONT ON SHT - |

413

DISTR TO

4

3

2

1