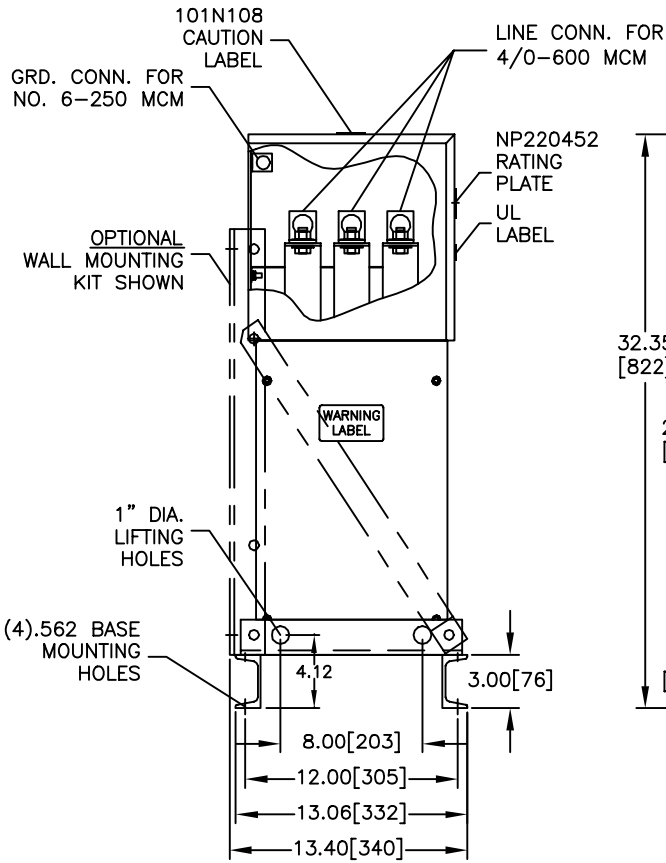
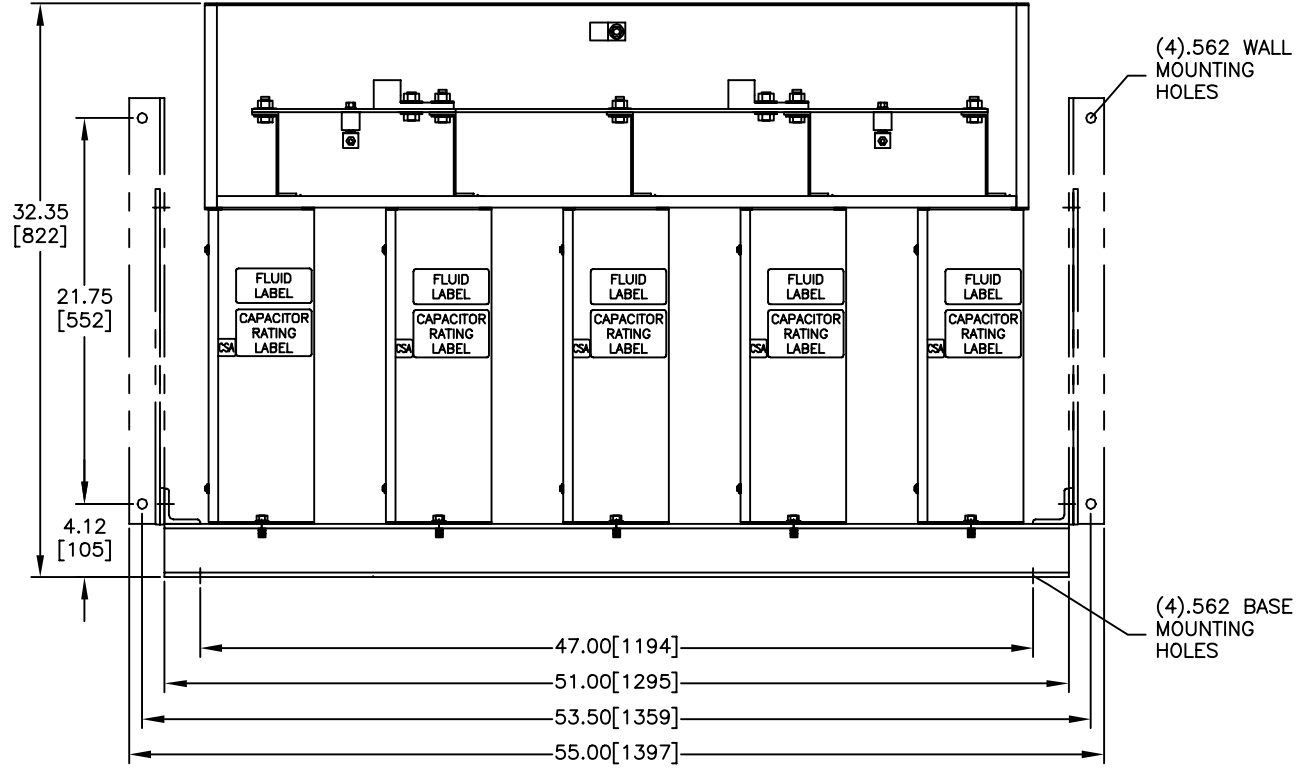


SIZE A	DWG NO 65L942TF3	SHT 2	REV
REV	DESCRIPTION	DATE	APPROVED



FRONT VIEW
SHOWN WITH TOP/FRONT COVER REMOVED



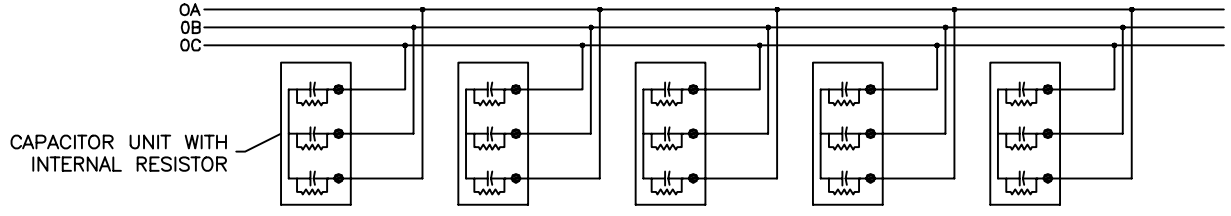
CAPACITOR

CAT. 65L942TF3 SER.NO.
KVAR 475 60 Hz 3 Ph
VOLT. 600 CONN. WYE

DIAG. 186C3233HL

CAUTION BEFORE INSTALLING OR OPERATING READ INST. 2738

CAPACITOR UNITS CONTAIN CLASS III B COMBUSTIBLE LIQUID.
CAPACITOR UNITS INCLUDE INTERNAL DISCHARGE RESISTORS.
NP220452 FORT EDWARD, N.Y. MADE IN U.S.A.



CONNECTION DIAGRAM

INDUSTRIAL SYSTEMS FORT EDWARD, N.Y., U.S.A.	SIZE A	EST. WEIGHT: 236	<h1 style="margin: 0;">OUTLINE</h1> <h2 style="margin: 0;">65L942TF3</h2>
	SCALE	GALLONS LIQUID: 2.04	
DRAWN A.Cozzens	DATE 7/1/2003		CONT ON —
ISSUED	DATE 7/9/2003		

DISTR. TO