

4

3

2

C

SIZE DWG NO.

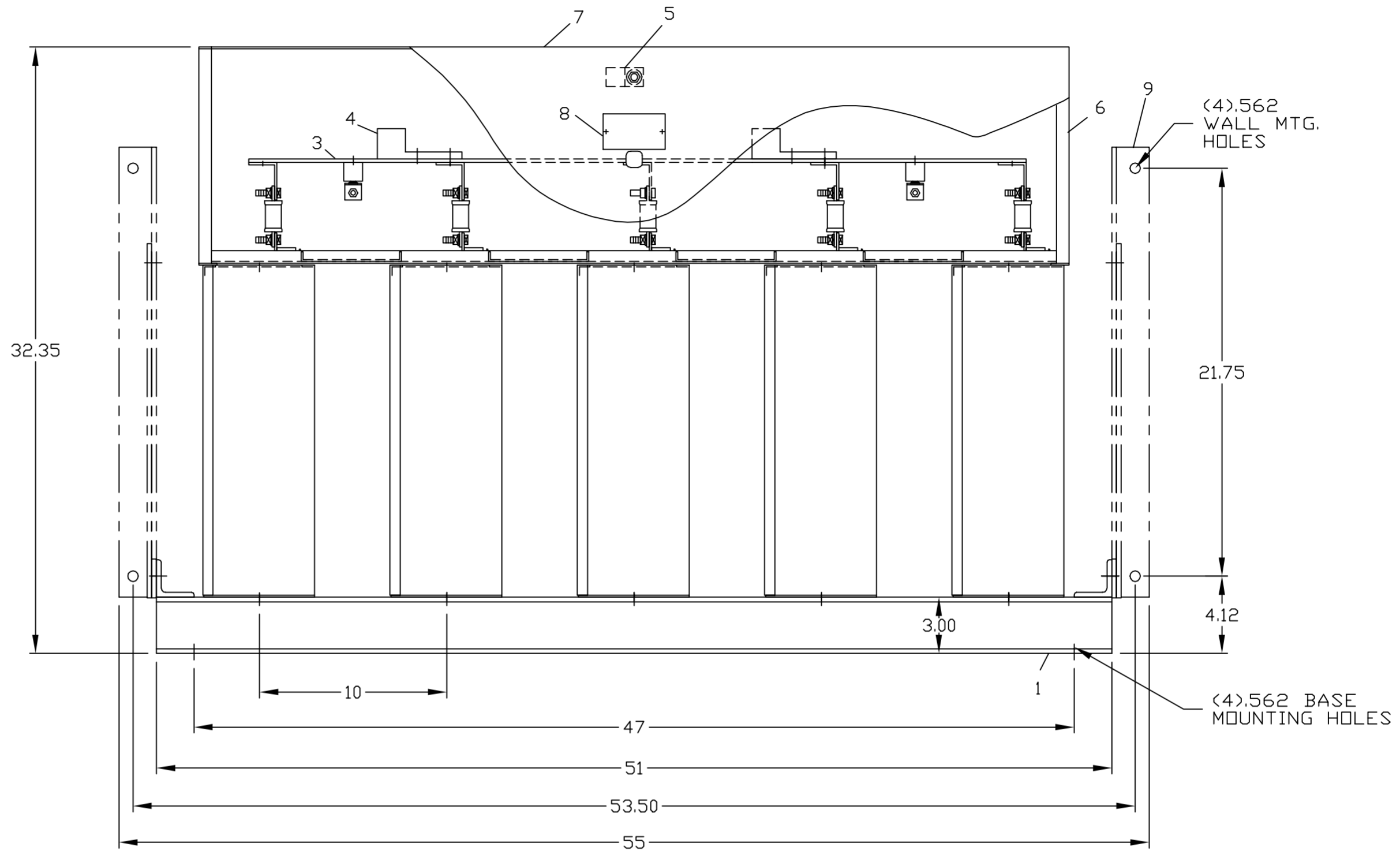
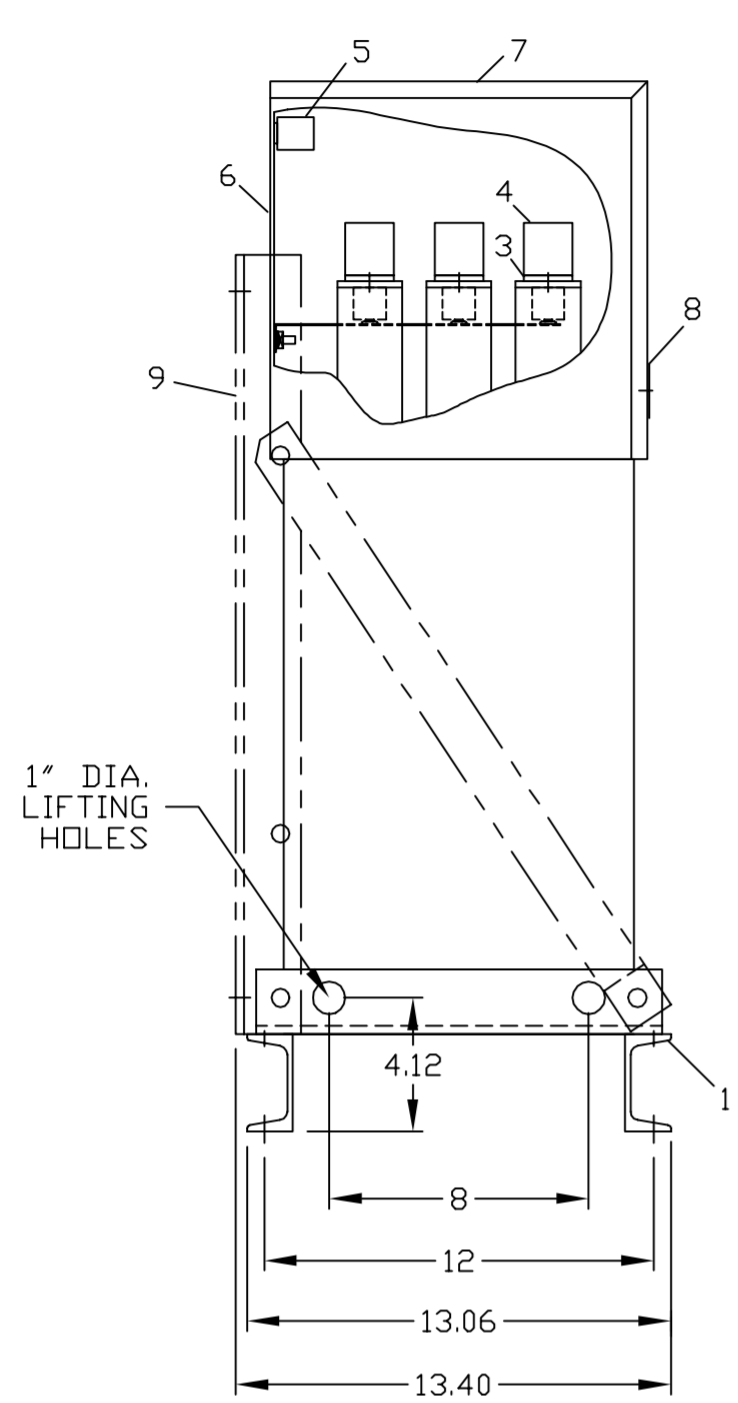
65L943TC2

SHT 1

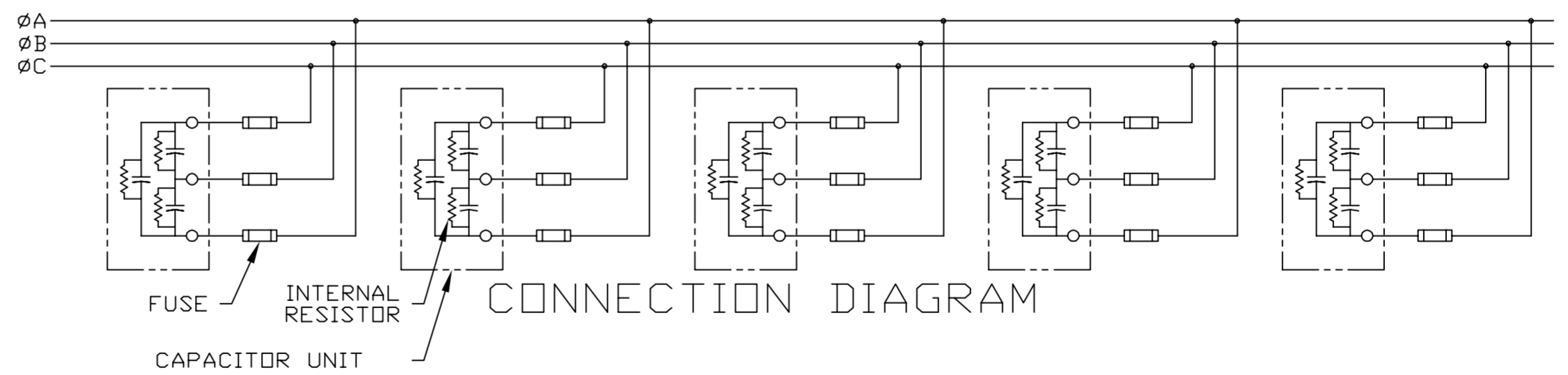
REV 1

1

REVISIONS			
REV	DESCRIPTION	DATE	APPROVED
1	UPDATE TO AUTOCAD		FWL



- NOMENCLATURE**
1. ALUMINUM BASE FRAME
  2. CAPACITOR UNIT
  3. COPPER BUS BARS
  4. LINE TERMINAL - #4/0 TO 600 MCM
  5. GROUND TERMINAL - #6AWG TO 250 MCM
  6. BUS ENCLOSURE
  7. ACCESS COVER
  8. RATING NAMEPLATE
  9. OPTIONAL FIELD ASSEMBLED WALL MTG. FRAME



CAT 65L943TC2 SERNO  
 KVAR 500 60Hz 3ph  
 VOLT 480 DIAG 186C3233HD  
 CONN DELTA  
 Read instructions: GEH-2728

SIGNATURES	DATE
DRAWN E.McGINN	10/1/92
CHECKED	
ENGR	
ISSUED	9/30/93
CAD SYS. NO.	
AUTOCAD	

**INDUSTRIAL SYSTEMS**  
 FORT EDWARD, N.Y., U.S.A.

OUTLINE  
 L65 EQUIPMENT

FIRST MADE FOR:

SIZE C	FSCM NO.	DWG NO. 65L943TC2	REV 1
SCALE	SHEET 1	CONT ON SHT -	DISTR TO 413