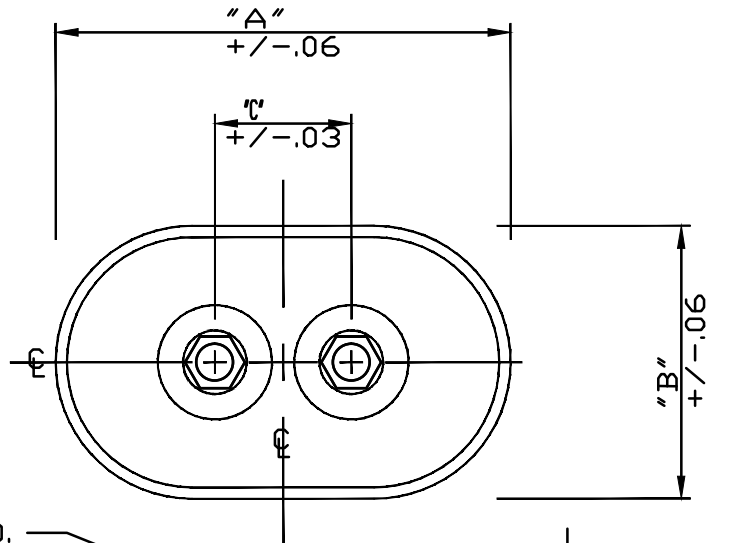
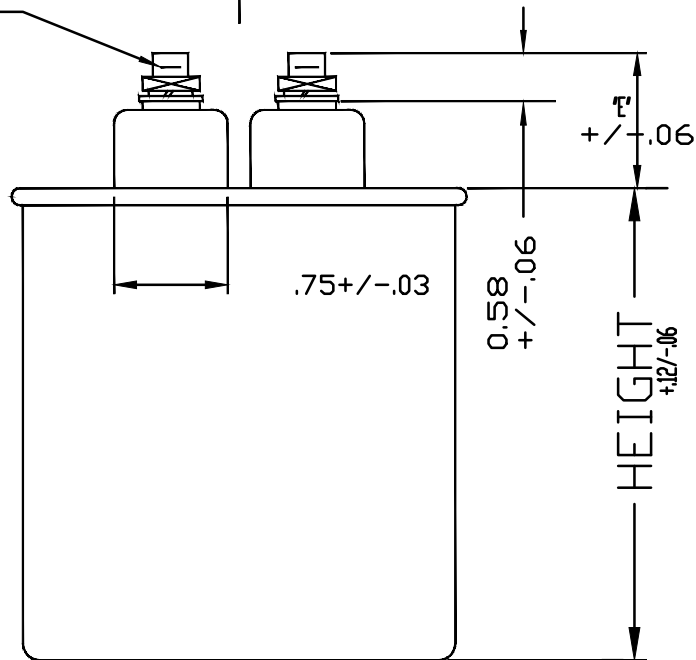


SIZE A	DWG NO. A97F75XX	SH 1	REV
REV			




#25-20 THD.



CATALOG NUMBER	VOLTS PK	uF	CASE STYLE	CASE HGT (in)	TERMINAL TYPE
97F7512S	250	150	D	4.75	1/4-20 THD
97F7513S	250	125	D	4.25	1/4-20 THD
97F7514S	250	100	D	3.50	1/4-20 THD
97F7520S	250	50	C	3.12	1/4-20 THD

CASE STYLE	DIM "A"	DIM "B"	DIM "C"	DIM "E"
C	2.91	1.91	1.38	1.12
D	3.66	2.97	1.38	1.12

 CAPACITOR & POWER PROTECTION FORT EDWARD, N.Y., U.S.A.	SIZE A	FSCM NO OVAL	OUTLINE A97F75XX		DISTR TO
	DRAWN D SEYMOUR 12/03/2015	SCALE			
ISSUED					