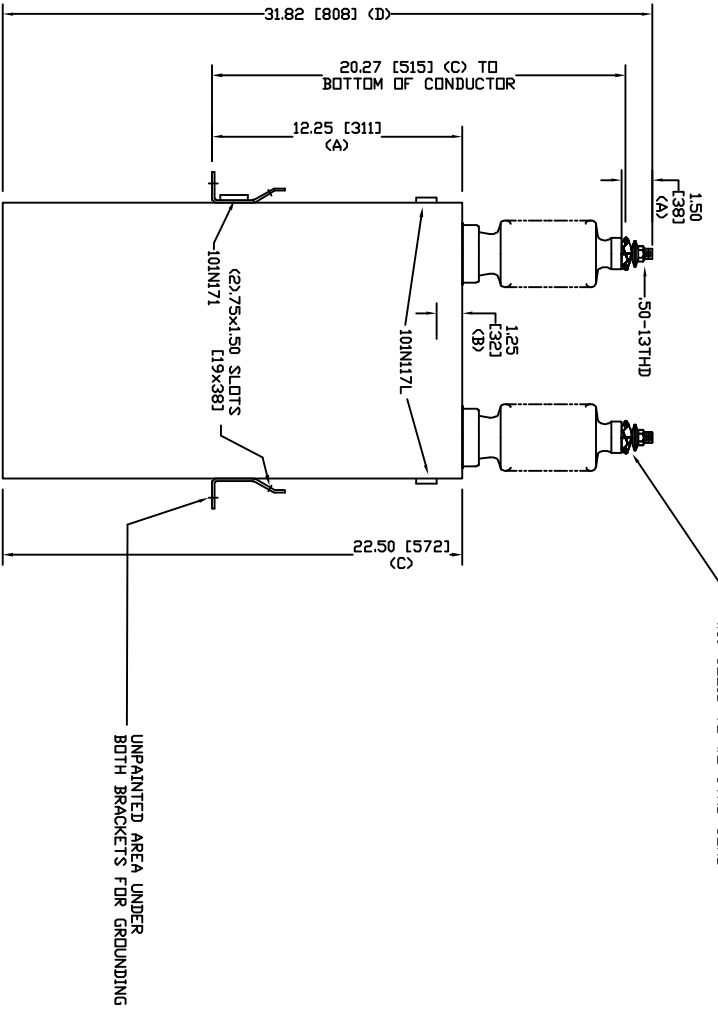
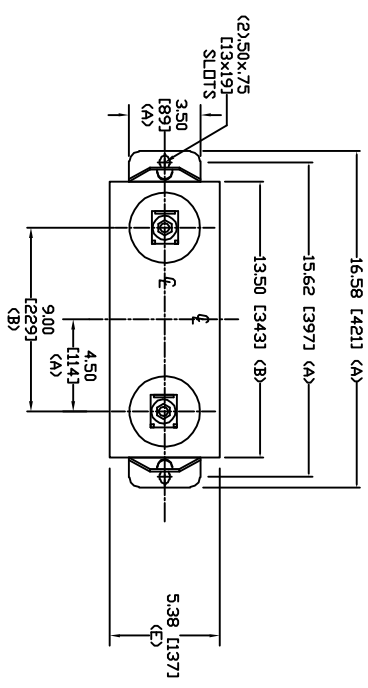


SIZE	DWG. NO.	SHT	REV
A	98L103WC60	2	0
REV	DESCRIPTION	DATE	APPROVED
0	New	2/22/2006	



TOL	In.	mm
A	.06	1.5
B	.12	3.0
C	.18	4.6
D	.25	6.4
E	+5/-1	+13/-25

4160 V 1 PH 95 KV/BIL  
 400 KVAR 60 Hz  
 CAT. 98L103WC60  
 2.79 GAL  
 MFG DATE  
 101N171 READ GEH-2743

**GE ENERGY**  
**FORT EDWARD, N.Y., U.S.A.**

DRAWN	ACAD VBA	DATE	12/29/2009
ISSUED	RAH	DATE	12/29/2009

SIZE **A** WEIGHT 73.6 lbs / 33.5 kg  
 SCALE  
**OUTLINE**  
**98L103WC60**

SHEET 2 OF 3  
 DISTR. TO 201