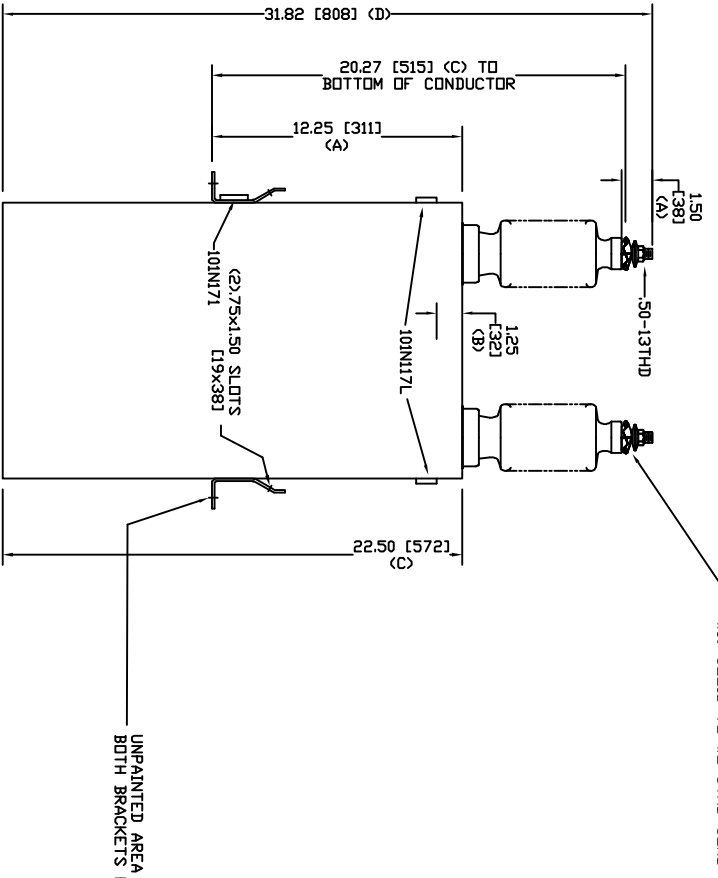
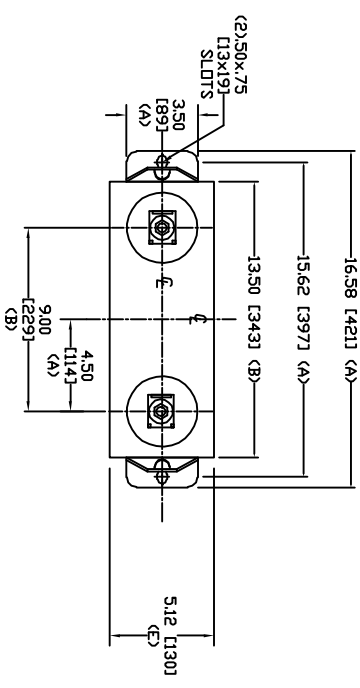



SIZE	DWG. NO.	SHT	REV
A	98L104WC63	2	0
REV	DESCRIPTION	DATE	APPROVED
0	New	7/28/2006	



SOLDERLESS CONN. FOR #10 SOLDER TO #2 STRD CONDUIT

TOL	in.	mm
A	.06	1.5
B	.12	3.0
C	.18	4.6
D	.25	6.4
E	+.5/-1	+13/-25

4800 V 1 PH 95 KVBL
 400 KVAR 60 Hz
 CAT. 98L104WC63
 2.66 GAL
 MFG DATE
 101N171 READ GEH-2743


GE ENERGY
FORT EDWARD, N.Y., U.S.A.

DRAWN	ACAD VBA	DATE	12/29/2009
ISSUED	RAH	DATE	12/29/2009

SIZE **A** WEIGHT 69.5 lbs / 31.6 kg
 SCALE
OUTLINE
98L104WC63

SHEET 2 OF 3
 CNT 3