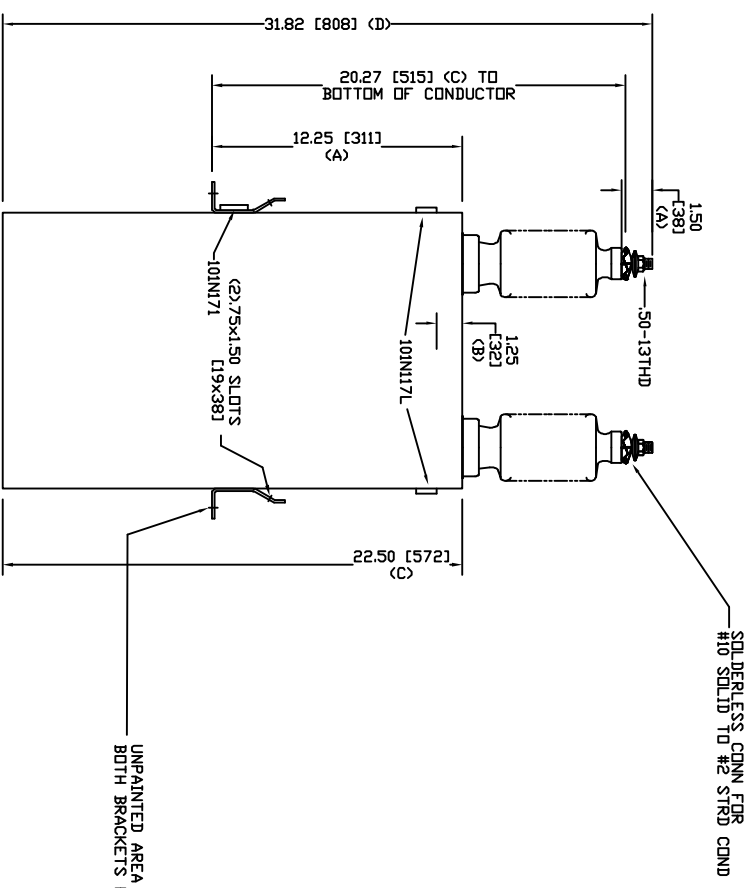
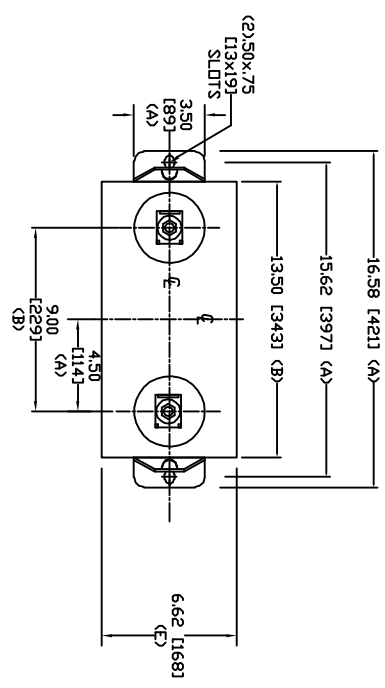



SIZE	DWG. NO.	SHT	REV
A	98L106WC10	2	0
REV	DESCRIPTION	DATE	APPROVED
0	New	8/25/2005	



TOL	in.	mm
A	.06	1.5
B	.12	3.0
C	.18	4.6
D	.25	6.4
E	+5/-1	+13/-25

7200 V 1 PH 95 KV/BIL
 400 KVAR 60 Hz
 CAT. 98L106WC10
 3.34 GAL
 MFG DATE
 100N1171 READ GEH-2743


GE ENERGY
FORT EDWARD, N.Y., U.S.A.

DRAWN	ACAD VBA	DATE	6/2/2009	SIZE	A	WEIGHT	89.5 lbs	OUTLINE 98L106WC10
ISSUED	RAH	DATE	6/2/2009	SCALE		40.7 kg		

SHEET 2 OF 3
 DISTR. TO 201