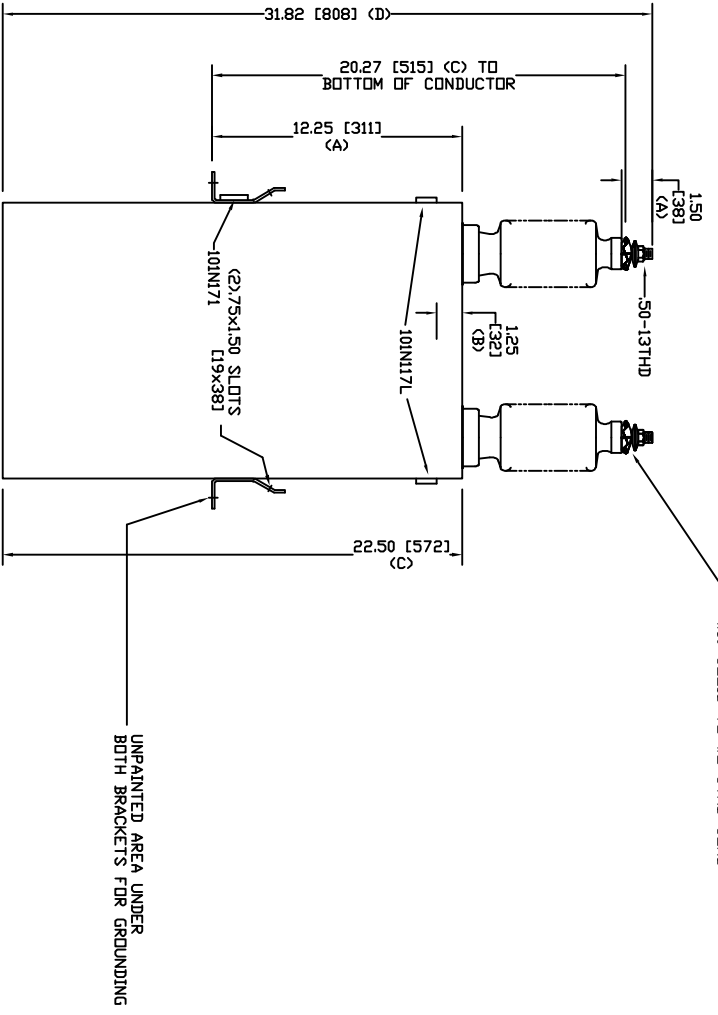
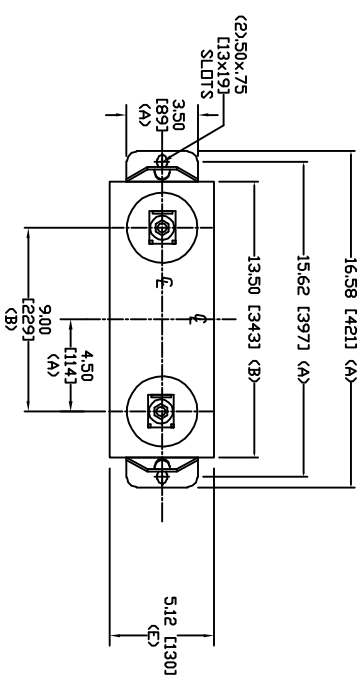


SIZE	DWG. NO.	SHT	REV
A	98L106WC63	2	0
REV	DESCRIPTION	DATE	APPROVED
0	New	12/29/2005	



SOLDERLESS CONN. FOR #10 SOLDER TO #2 STRD COND

TOL	In.	mm
A	.06	1.5
B	.12	3.0
C	.18	4.6
D	.25	6.4
E	+.5/-1	+13/-25

7200 V 1 PH 95 KVBL
 400 KVAR 60 Hz
 CAT. 98L106WC63
 2.65 GAL
 MFG DATE
 100N171 READ GEH-2743

12" Creep, 95 KVBL Bushing

INDUSTRIAL SYSTEMS FORT EDWARD, N.Y., U.S.A.		SIZE	A	WEIGHT	69.4 lbs 31.5 kg	OUTLINE 98L106WC63	
DRAWN	ACAD VBA	DATE	7/29/04	SCALE		SHEET	2
ISSUED	RAH	DATE	7/29/04			CGNT	3